



Hammond
Power Solutions

GUELPH, ONT. BARABOO,WI COMPTON,CA MONTERREY,MX



LR 3902
GENERAL
PURPOSE
TRANSFORMER
252L
E50394
LISTED

HPS UNIVERSAL™
DRY TYPE ISOLATION/BUCK-BOOST TRANSFORMER

| | | | | | | |
|-----------------|-------------|--------------------|---|--|--------------------------------|----------|
| HV/HT | 120V X 240V | | | | Cust. Ref. Réf. du client | Q002ERCF |
| BIL | - | | | | Serial No. No. de série | |
| TERM. BORNES | H1 | H3 | H2 | H4 | Part No. No. de pièce | Q002ERCF |
| | VOLTS | CURRENT COURANT | % RATED VOLTAGE % TENSION NOMINALE | CONNECTION EACH PHASE CONNEXION PAR PHASE | PHASE | |
| | | | | | kVA | 2.0 |
| | | | | | TYPE | Q |
| | | | | | Cooling Refroidissement | ANC |
| | | | | | Temp. Rise Echauffement | 115 °C |
| | | | | | Temp. Class Classe de Temp. | 180 °C |
| | | | | | Frequency Fréquence | 50/60Hz |
| LV/BT | 12V/24V | | | | Impédance % @ 135 °C | 3.3 |
| BIL | - | | | | Encl. Type Type de boîtier | 3R |
| TERM. BORNES | X4 | X2 | X3 | X1 | Wt Poids lbs/kg | 46/21 |
| | | | | | Winding Enroulement | COPPER |

This transformer can be wired as both an isolation transformer and buck-boost transformer. Refer to wiring instruction for details.

0001073bn



8 03423 03381 1



Hammond Power
Solutions Inc.

TITLE: 1 PH BUCK BOOST TRANSFORMER
NAMEPLATE INFORMATION

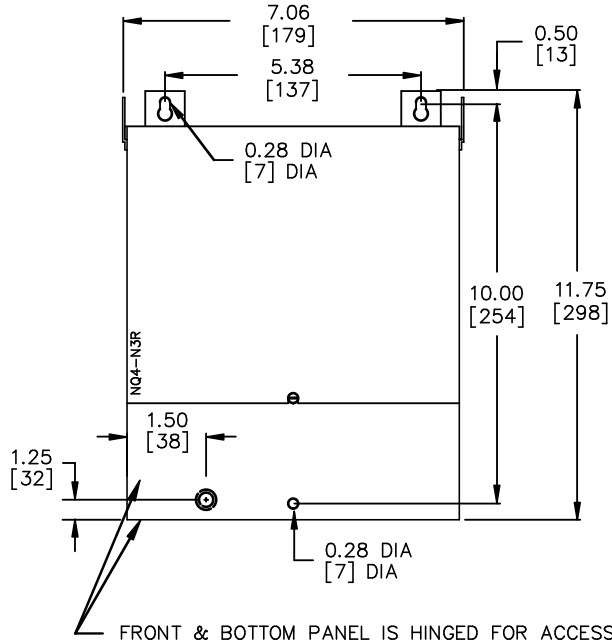
| | | | | |
|-----|----------|----|------------|------------|
| 1 | 21/07/13 | PP | EDB UPDATE | DES: WWONG |
| NO. | DATE | BY | REVISION | SCALE: NTS |

SHEET 1 OF 2

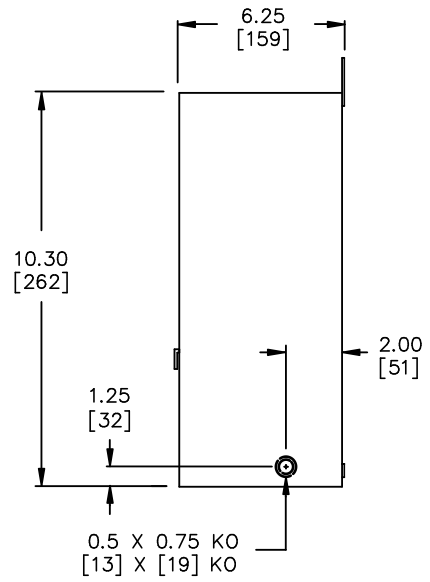
EDB0002ERCF

1.0 Juin 2021/07/13 16:22

FRONT VIEW



SIDE VIEW



FRONT & BOTTOM PANEL IS HINGED FOR ACCESS TO TERMINALS, BOTTOM MOUNTING HOLES AND REAR KNOCKOUT.

All Dimensions in inches[mm]

ENCLOSURE COLOR : ANSI 61 GREY – OUTDOOR

CUSTOMER NOTES:

- HV1 TERMINATED AT BOT FRONT SEW LEADS
- LV1 TERMINATED AT BOT FRONT SEW LEADS



TITLE: 1 PH BUCK BOOST TRANSFORMER

| | | | | |
|-----|----------|----|------------|------------|
| 1 | 21/07/13 | PP | EDB UPDATE | DES: WWONG |
| NO. | DATE | BY | REVISION | SCALE: NTS |

SHEET 2 OF 2

EDB0002ERCF

1.0 Jun 2021/07/13 16:22