



Hammond  
Power Solutions



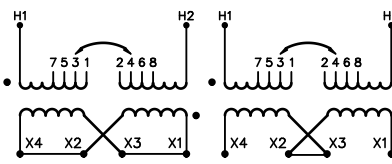
UL LISTED  
31GW E258346

GUELPH, ONT. BARABOO, WI COMPTON, CA MONTERREY, MX

SINGLE PHASE DRY TYPE TRANSFORMER  
TRANSFORMATEUR SEC MONOPHASE

HV/HT	190-220/380-440V			Cust. Ref.	
BIL	-			Réf. du client	
TERM. BORNES	H1 H2			Serial No.	
				No. de série	
				Part No.	Q005XEKF
				No. de pièce	
				kVA	5
				TYPE	HZQ
				Cooling	ANC
				Refrroidissement	
				Temp. Rise	115 °C
				Echauffement	
				Temp. Class	180 °C
				Classe de Temp.	
				Frequency	50/60Hz
				Fréquence	
				Impédance	
				Voltage	
				Impédance %	3.7
				@ 135 °C	
				Encl. Type	3R
				Type de boîtier	
				Wt	105/48
				Poids lbs/kg	
				Winding	COPPER
				Enroulement	
				GENERAL PURPOSE TRANSFORMER FOR USE IN HAZARDOUS LOCATIONS ABS TYPE APPROVAL NO. 19-HS1854283-PDA ELECTROSTATIC SHIELD.	
				DEGREE OF PROTECTION:IP33 TEMPERATURE CLASSIFICATION: T3A	
				COMPLIES WITH EN61558-1/EN61558-2-1	

4001003hace



Hammond Power  
Solutions Inc.

TITLE: 1 PHASE ENCAPSULATED TRANSFORMER NAMEPLATE INFORMATION				
1	21/07/13	PP	EDB UPDATE	DES: WWONG
NO.	DATE	BY	REVISION	SCALE: NTS

SHEET 1 OF 3  
EDB0005XEKF  
1.0 Juin 2021/07/13 16:29



# HPS TITAN

## General Purpose Transformer for use in Hazardous Locations

Class I, Division 2, Groups A, B, C, & D  
Class I, Zone 2, Group IIC, T3  
Hazardous Locations

**WARNING - EXPLOSION HAZARD - DO NOT DISCONNECT EQUIPMENT WHILE THE CIRCUIT IS LIVE OR UNLESS THE AREA IS KNOWN TO BE FREE OF IGNITABLE CONCENTRATIONS.**  
**WARNING - EXPLOSION HAZARD - SUBSTITUTION OF ANY COMPONENT MAY IMPAIR SUITABILITY FOR CLASS 1, DIVISION 2.**

LAB62181



**Hammond Power Solutions Inc.**

TITLE: 1 PHASE ENCAPSULATED TRANSFORMER

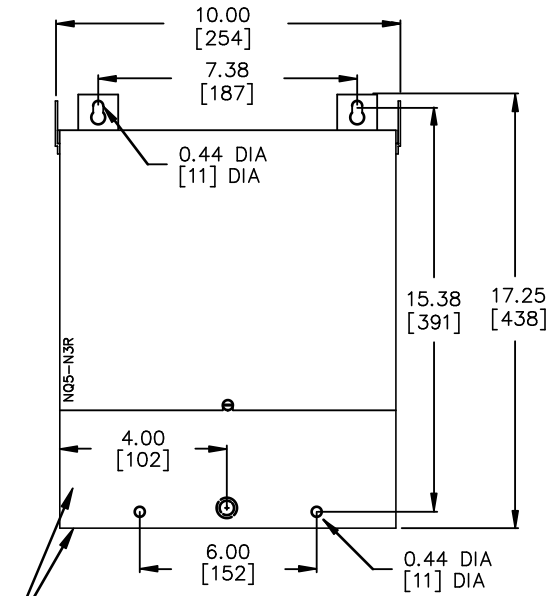
1	21/07/13	PP	EDB UPDATE	DES: WWONG
NO.	DATE	BY	REVISION	SCALE: NTS

SHEET 2 OF 3

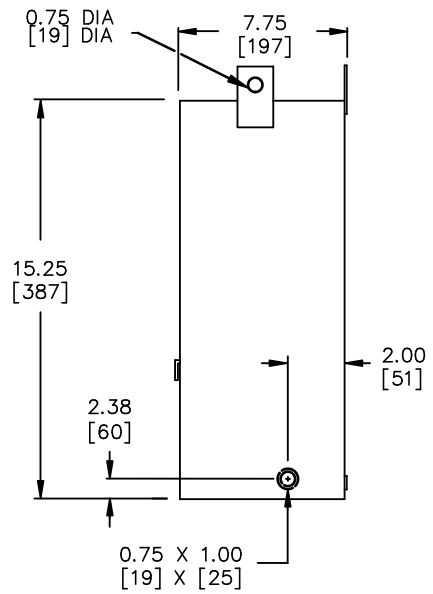
EDB0005XEKF

1.0 Jun 2021/07/13 16:29

FRONT VIEW



SIDE VIEW



FRONT & BOTTOM PANEL IS HINGED FOR ACCESS TO TERMINALS, BOTTOM MOUNTING HOLES AND REAR KNOCKOUT.

All Dimensions in inches[mm]

ENCLOSURE COLOR : ANSI 61 GREY – OUTDOOR

CUSTOMER NOTES:



**Hammond Power Solutions Inc.**

TITLE: 1 PHASE ENCAPSULATED TRANSFORMER

1	21/07/13	PP	EDB UPDATE	DES: WWONG
				DATE: 03/08/08
NO.	DATE	BY	REVISION	SCALE: NTS

SHEET 3 OF 3

EDB0005XEKF

1.0\_jwen 2021/07/13 16:29