



Hammond
Power Solutions

UL US LISTED
31GW E258346

GUELPH, ONT. BARABOO, WI. COMPTON, CA MONTERREY, MX

SINGLE PHASE DRY TYPE TRANSFORMER
TRANSFORMATEUR SEC MONOPHASE

HV/HT	240X480V			Cust. Ref. Réf. du client	
BIL	-			Serial No. No. de série	
TERM. BORNES	H1 H2			Part No. No. de pièce	Q007LEKF
	VOLTS	CURRENT COURANT	% RATED VOLTAGE % TENSION NOMINALE	CONNECTION EACH PHASE CONNEXION PAR PHASE	kVA
	504	14.9	105	1-2	7.5
	492	15.2	102.5	2-3	TYPE
	480	15.6	100	3-4	HZQ
	468	16.0	97.5	4-5	Cooling Refroidissement
	456	16.4	95	5-6	ANC
	444	16.9	92.5	6-7	Temp. Rise Echauffement
	432	17.4	90	7-8	115 °C
	240	31.2	100	H1-4, H2-3	Temp. Class Classe de Temp.
	228	32.8	95	H1-6, H2-5	180 °C
	216	34.4	90	H1-8, H2-7	Frequency Fréquence
	120 / 240V			Impédance % @ 135 °C	60 Hz
LV/BT	-			Encl. Type Type de boîtier	2.8
BIL	-			Wt Poids	3R
TERM. BORNES	X4 X2 X3 X1			lbs/kg	115/53
				Winding Enroulement	COPPER
	<p>GENERAL PURPOSE TRANSFORMER FOR USE IN HAZARDOUS LOCATIONS ABS CERT. NO.19-HS1854283-PDA ELECTROSTATIC SHIELD</p>			TEMPERATURE CLASSIFICATION: T3A	



TITLE: 1PH DISTRIBUTION TRANSFORMER
NAMEPLATE INFORMATION

3	21/07/13	PP	EDB UPDATE	DES: RTHAKER
2	13/07/29	PP	HCN: 46847	DATE: 00/03/03
NO.	DATE	BY	REVISION	SCALE: NTS

SHEET 1 OF 3

EDB007LEKF



HPS TITAN

General Purpose Transformer for use in Hazardous Locations

Class I, Division 2, Groups A, B, C, & D
Class I, Zone 2, Group IIC, T3
Hazardous Locations

WARNING - EXPLOSION HAZARD - DO NOT DISCONNECT EQUIPMENT WHILE THE CIRCUIT IS LIVE OR UNLESS THE AREA IS KNOWN TO BE FREE OF IGNITABLE CONCENTRATIONS.
WARNING - EXPLOSION HAZARD - SUBSTITUTION OF ANY COMPONENT MAY IMPAIR SUITABILITY FOR CLASS 1, DIVISION 2.

LAB62181



Hammond Power Solutions Inc.

TITLE: 1PH DISTRIBUTION TRANSFORMER

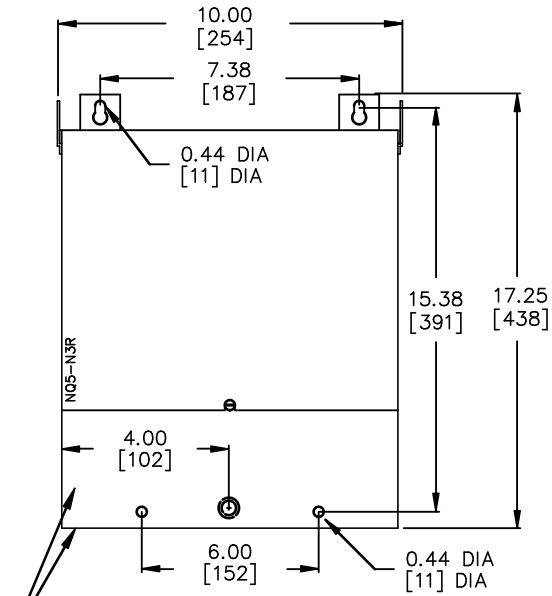
3	21/07/13	PP	EDB UPDATE	DES: RTHAKER
2	13/07/29	PP	HCN: 46847	DATE: 00/03/03
NO.	DATE	BY	REVISION	SCALE: NTS

SHEET 2 OF 3

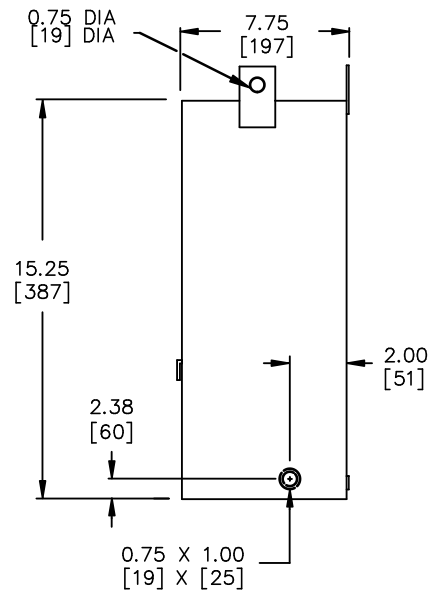
EDB0007LEKF

3.0 jwen 2021/07/13 16:30

FRONT VIEW



SIDE VIEW



FRONT & BOTTOM PANEL IS HINGED FOR ACCESS TO TERMINALS, BOTTOM MOUNTING HOLES AND REAR KNOCKOUT.

All Dimensions in inches[mm]

ENCLOSURE COLOR : ANSI 61 GREY – OUTDOOR

H.V.1. TERMINAL DETAIL

L.V.1. TERMINAL DETAIL

#12 AWG STRANDED COPPER
WIRE LEADS

#10 AWG STRANDED COPPER
WIRE LEADS

CUSTOMER NOTES:

- HV1 TERMINATED AT BOTTOM FRONT
- LV1 TERMINATED AT BOTTOM FRONT



TITLE: 1PH DISTRIBUTION TRANSFORMER

3	21/07/13	PP	EDB UPDATE	DES: RTHAKER
2	13/07/29	PP	HCN: 46847	DATE: 00/03/03
NO.	DATE	BY	REVISION	SCALE: NTS

SHEET 3 OF 3

EDB0007LEKF

3.0 Jwen 2021/07/13 16:30