



Hammond
Power Solutions

GUELPH, ONT. BARABOO, WI. COMPTON, CA. MONTERREY, MX



SINGLE PHASE DRY TYPE TRANSFORMER
TRANSFORMATEUR SEC MONOPHASE

HV/HT

BIL

TERM. BORNES

VOLTS	CURRENT COURANT	% RATED VOLTAGE % TENSION NOMINALE	CONNECTION EACH PHASE CONNEXION PAR PHASE

LV/BT

BIL

TERM. BORNES

Cust. Ref.

Réf. du client

Serial No.

No. de série

Part No.

No. de pièce

kVA

TYPE

Cooling Refroidissement

Temp. Rise Echauffement

Temp. Class Classe de Temp.

Frequency Fréquence

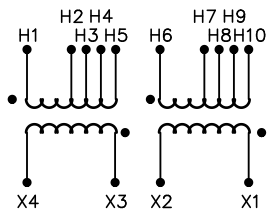
Impédance % @ °C

Encl. Type Type de boîtier

Wt Poids lbs/kg

Winding Enroulement

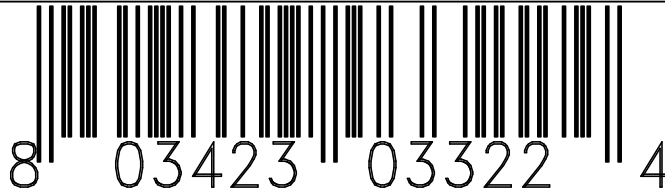
0001003bqsmce



PRIMARY VOLTAGE	CONNECT LINES TO	INTER-CONNECT
440V	H1, H10	H5-H6
416V	H1, H9	H4-H6
400V	H1, H8	H3-H6
380V	H1, H7	H2-H6
220V	H1, H10	H1-H6, H5-H10
208V	H1, H9	H1-H6, H4-H9
200V	H1, H8	H1-H6, H3-H8
190V	H1, H7	H1-H6, H2-H7
SECONDARY VOLTAGE	CONNECT LINES TO	INTER-CONNECT
240V	X1, X4	X2-X3
120/240V	X1, X2, X4	X2-X3
120V	X1, X4	X2-X4, X1-X3

COMPLIES WITH EN61558-1 & EN61558-2-1
GENERAL PURPOSE TRANSFORMER
FOR USE IN HAZARDOUS LOCATIONS
ABS TYPE APPROVAL NO. 19-HS1854283-PDA
ELECTROSTATIC SHIELD
TEMPERATURE CLASSIFICATION: T3A

HAM1239



Hammond Power
Solutions Inc.

TITLE: 1 PHASE ENCAPSULATED TRANSFORMER
NAMEPLATE INFORMATION

1	21/07/13	PP	EDB UPDATE	DES: WWONG
NO.	DATE	BY	REVISION	SCALE: NTS

SHEET 1 OF 3

EDB01C5XEKF

1.0 Juin 2021/07/13 16:54



HPS TITAN

General Purpose Transformer for use in Hazardous Locations

Class I, Division 2, Groups A, B, C, & D
 Class I, Zone 2, Group IIC, T3
 Hazardous Locations

WARNING - EXPLOSION HAZARD - DO NOT DISCONNECT EQUIPMENT WHILE THE CIRCUIT IS LIVE OR UNLESS THE AREA IS KNOWN TO BE FREE OF IGNITABLE CONCENTRATIONS.
WARNING - EXPLOSION HAZARD - SUBSTITUTION OF ANY COMPONENT MAY IMPAIR SUITABILITY FOR CLASS 1, DIVISION 2.

LAB62181



Hammond Power Solutions Inc.

TITLE: 1 PHASE ENCAPSULATED TRANSFORMER

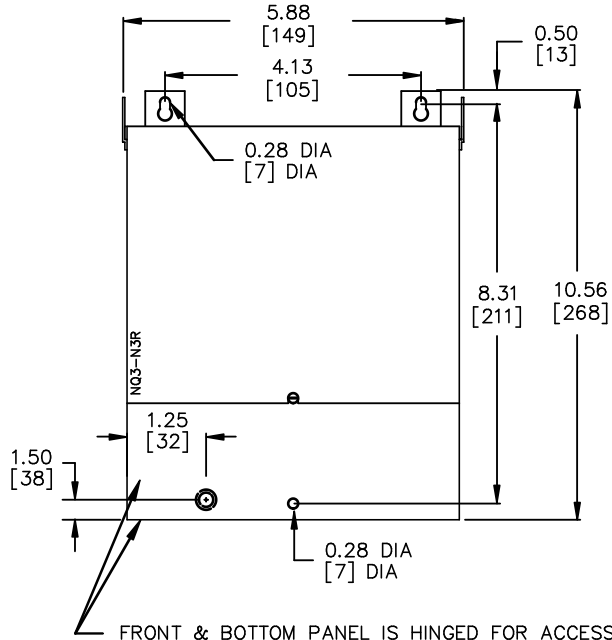
1	21/07/13	PP	EDB UPDATE	DES: WWONG
NO.	DATE	BY	REVISION	SCALE: NTS

SHEET 2 OF 3

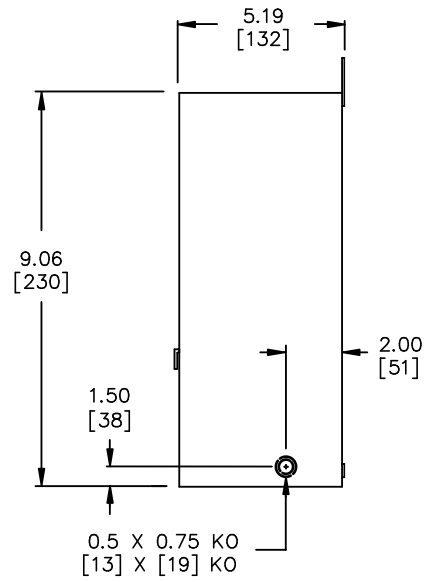
EDB01C5XEKF

1.0 .jwn 2021/07/13 16:54

FRONT VIEW



SIDE VIEW



FRONT & BOTTOM PANEL IS HINGED FOR ACCESS TO TERMINALS, BOTTOM MOUNTING HOLES AND REAR KNOCKOUT.

All Dimensions in inches[mm]

ENCLOSURE COLOR : ANSI 61 GREY – OUTDOOR

CUSTOMER NOTES:



TITLE: 1 PHASE ENCAPSULATED TRANSFORMER

1	21/07/13	PP	EDB UPDATE	DES: WWONG
NO.	DATE	BY	REVISION	SCALE: NTS

SHEET 3 OF 3

EDB01C5XEKF

1.0_jwen 2021/07/13 16:54