



Hammond
Power Solutions

GUELPH, ONT. BARABOO, WI. COMPTON, CA. MONTERREY, MX



LR 3902



GENERAL
PURPOSE
TRANSFORMER
252L
E50394

LISTED

HPS UNIVERSAL™
DRY TYPE ISOLATION/BUCK-BOOST TRANSFORMER

HV/HT

120V X 240V

BIL

-

TERM.
BORNES

H1 H3 H2 H4

LV/BT

12V/24V

BIL

-

TERM.
BORNES

X4 X2 X3 X1

This transformer can be wired as both an
isolation transformer and buck-boost transformer.
Refer to wiring instructions for details.

d001073bsrmw1



8 03423 04251 6

Cust. Ref.

Réf. du client

Serial No.

No. de série

Part No.

No. de pièce

QC35ERCB

PHASE

kVA

0.35

TYPE

Q

Cooling
Refroidissement

ANC

Temp. Rise
Échauffement

80 °C

Temp. Class
Classe de Temp.

130 °C

Frequency
Fréquence

50/60 Hz

Impédance %
@ _____ °C

Encl. Type
Type de boîtier

3R

Wt
Poids lbs/kg

13.13/6

Winding
Enroulement

COPPER

MADE IN CANADA



Hammond Power
Solutions Inc.

TITLE: 1 PHASE ENCAPSULATED TRANSFORMER
NAMEPLATE INFORMATION

2	21/07/13	PP	EDB UPDATE	DES: WWONG
1	16/04/27	WW	HCN: 63036	DATE: 09/04/14
NO.	DATE	BY	REVISION	SCALE: NTS

SHEET 1 OF 3

EDB035ERCB

2.0 jwen 2021/07/13 16:40

CATALOG NUMBER	LOW VOLTAGE HIGH VOLTAGE	96 115	100 110	100 120	105 115	110 121	110 132	115 126	115 138	120 132	120 144	200 220	208 229	220 231	220 242	240 252	240 264
QC35ERCB	HV AMPS LV AMPS	14.6 17.5	29.2 32.1	14.6 17.5	29.2 32.1	29.2 32.1	14.6 17.5	29.2 32.1	14.6 17.5	29.2 32.1	14.6 17.5	14.6 16.0	14.6 16.0	29.2 30.6	14.6 16.0	29.2 30.6	14.6 16.0
CONNECTION DIAGRAM		2	1	2	1	1	2	1	2	1	2	4	4	3	4	3	4
<p>CONNECTION #1</p>		<p>CONNECTION #2</p>		<p>CONNECTION #3</p>		<p>CONNECTION #4</p>											



TITLE: 1 PHASE ENCAPSULATED TRANSFORMER
BUCK BOOST CONNECTION CHART

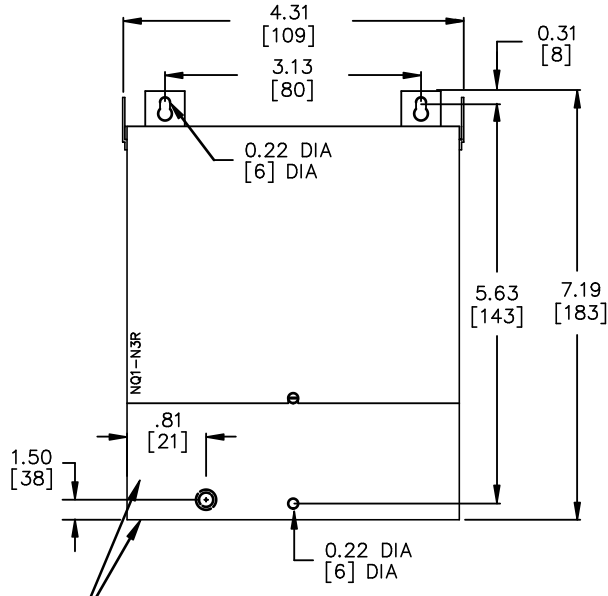
2	21/07/13	PP	EDB UPDATE	DES: WWONG
1	16/04/27	WW	HCN: 63036	DATE: 09/04/14
NO.	DATE	BY	REVISION	SCALE: NTS

SHEET 2 OF 3

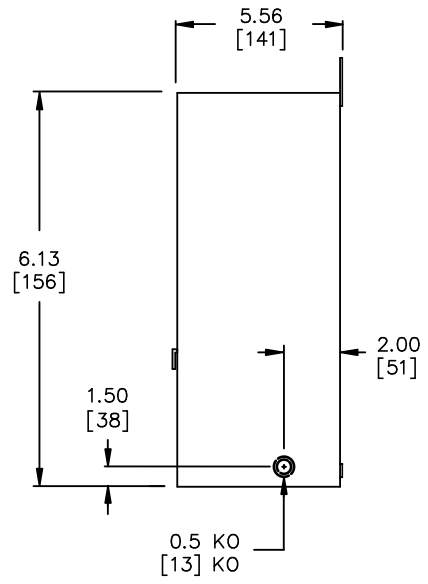
EDBQC35ERCB

2.0 jwen 2021/07/13 16:40

FRONT VIEW



SIDE VIEW



FRONT & BOTTOM PANEL IS HINGED FOR ACCESS TO TERMINALS, BOTTOM MOUNTING HOLES AND REAR KNOCKOUT.

All Dimensions in inches[mm]

ENCLOSURE COLOR : ANSI 61 GREY – OUTDOOR

CUSTOMER NOTES:



TITLE: 1 PHASE ENCAPSULATED TRANSFORMER

2	21/07/13	PP	EDB UPDATE	DES: WWONG
1	16/04/27	WW	HCN: 63036	DATE: 09/04/14
NO.	DATE	BY	REVISION	SCALE: NTS

SHEET 3 OF 3

EDB0C35ERCB

2.0 jwen 2021/07/13 16:40