



Hammond Power Solutions Inc.


TITLE: 3PH DISTRIBUTION TRANSFORMER
NAMEPLATE INFORMATION

| | | | | |
|-----|----------|----|----------------|----------------|
| 3 | 21/07/16 | PP | EDB UPDATE | DES: DCORTEZ |
| 2 | 20/03/17 | PP | SEISMIC UPDATE | DATE: 16/04/05 |
| NO. | DATE | BY | REVISION | SCALE: NTS |

SHEET 1 OF 3

EDBSC3A0015BB

3.0 Jwen 2021/07/16 12:52



Hammond Power Solutions
Guelph, ONT Compton, CA

HPS Sentinel™ G
Energy Efficient Distribution Transformer
Transformateur de Distribution à Bon Rendement Énergétique

Baraboo, WI Monterrey, MX

Part No. SG3A0015BB

Serial No. []
No. de Serie []

Phase 3 HV/HT 208V

Type K BIL 10 kV

Cooling Refroidissement ANN Term Bornes H1 H2 H3

kVA 15 LV/BT 208Y/120V

Temp. Rise Echauffement 150 °C BIL 10 kV

Temp Class Classe Temp 220 °C Term Bornes X0 X1 X2 X3

Winding Enroulement AL Energy Regulations DOE 10 CFR PART 431:2016

Frequency Fréquence Hz 60 Reglements de l'Energétique CEE ACT SOR/2018-201

Impedance % @ 170 °C 4.3

Encl. Type Type de Coffrage 3R

Weight Poids lbs/kg 200/91

DRY TYPE TRANSFORMER 77US E112313

LR 3902

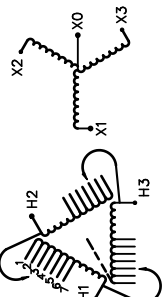
034231274

ALSO REFER TO ENERGY STANDARDS C002-18 BY UNDERWRITERS LABORATORIES INC. @ 316

LISTED

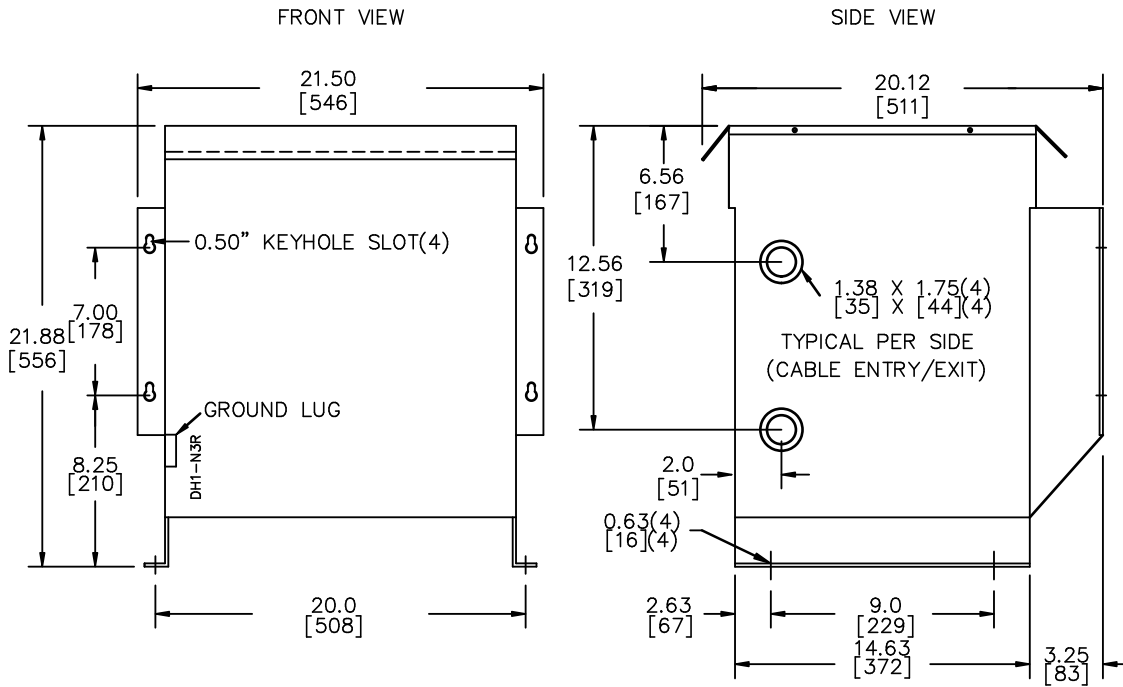
| VOLTS | CURRENT COURANT | % RATED VOLTAGE % TENSION NOMINALE | CONNECTION EACH PHASE CONNECTION PAR PHASE |
|-------|-----------------|------------------------------------|--|
| 218 | 39.7 | 105 | 1 |
| 213 | 40.6 | 102.5 | 2 |
| 208 | 41.6 | 100 | 3 |
| 203 | 42.7 | 97.5 | 4 |
| 198 | 43.8 | 95 | 5 |
| 192 | 45.0 | 92.5 | 6 |
| 187 | 46.3 | 90 | 7 |

SPACINGS BETWEEN ANY VENTILATED ENCLOSURE PANEL AND ANY ADJACENT WALL SHALL BE A MINIMUM OF 3 INCHES



SEISMIC QUALIFICATIONS:
OSP=01.36-10/IBC 2018/ASCE 7-16
SDS<=2.0g Z/h=1 Ip=1.5

d000186hb



All Dimensions in inches[mm]

ENCLOSURE COLOR : ANSI-61 GREY PAINT OUTDOOR

H.V.1. TERMINAL DETAIL

L.V.1. TERMINAL DETAIL

MECHANICAL TYPE LUGS INCLUDED
SUITABLE FOR #14-2 CU/AL
CONDUCTORS
1 CONDUCTOR PER PHASE

MECHANICAL TYPE LUGS INCLUDED
SUITABLE FOR #14-2 CU/AL
CONDUCTORS
1 CONDUCTOR PER PHASE

CUSTOMER NOTES:

- HV1 TERMINATED AT TOP FRONT
- LV1 TERMINATED AT BOTTOM FRONT



TITLE: 3PH DISTRIBUTION TRANSFORMER

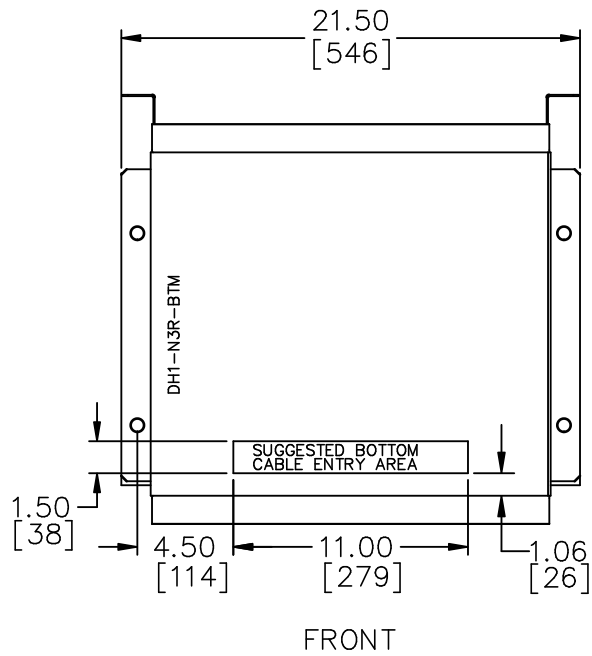
| | | | | |
|-----|----------|----|----------------|----------------|
| 3 | 21/07/16 | PP | EDB UPDATE | DES: DCORTEZ |
| 2 | 20/03/17 | PP | SEISMIC UPDATE | DATE: 16/04/05 |
| NO. | DATE | BY | REVISION | SCALE: NTS |

SHEET 2 OF 3

EDBSC3A0015BB

3.0 Wed 16/07/2016 12:52

ENCLOSURE BOTTOM VIEW



FRONT

NOTE:
 WHEN BOTTOM CABLE ENTRY IS OPTED, THE SPACE USED FOR CONDUITS IN THE FRONT OF THE TRANSFORMER SHOULD NOT OBSTRUCT MORE THAN 50% OF THE FRONT AIR INTAKE AREA DEFINED BETWEEN THE BOTTOM PLATE AND THE SUPPORTING LEGS.
 SEE MANUAL FOR ADDITIONAL INFORMATION



TITLE: 3PH DISTRIBUTION TRANSFORMER
 ENCLOSURE BOTTOM VIEW

| | | | | |
|-----|----------|----|----------------|----------------|
| 3 | 21/07/16 | PP | EDB UPDATE | DES: DCORTEZ |
| 2 | 20/03/17 | PP | SEISMIC UPDATE | DATE: 16/04/05 |
| NO. | DATE | BY | REVISION | SCALE: NTS |

SHEET 3 OF 3

EDBSC3A0015BB

3.0 Jwen 2021/07/16 12:52