



Hammond Power Solutions Inc.


TITLE: 3PH DISTRIBUTION TRANSFORMER
NAMEPLATE INFORMATION

3	21/07/16	PP	EDB UPDATE	DES: JWEN
2	20/03/17	PP	SEISMIC UPDATE	DATE: 16/09/08
NO.	DATE	BY	REVISION	SCALE: NTS

SHEET 1 OF 3

EDBSC3A0015BBOC

3.0 Jwen 2021/07/16 12:52



Hammond Power Solutions
Guelph, ONT Compton, CA

HPS Sentinel™ G
Energy Efficient Distribution Transformer
Transformateur de Distribution à Bon Rendement Énergétique

Baraboo, WI Monterrey, MX
Part No. SG3A0015BBOC

Serial No. []
No. de Serie []

HV/HT [208V]

BIL [10 kV]

Term Bornes [H1 H2 H3]

LV/BT [208Y/120V]

BIL [10 kV]

Term Bornes [X0 X1 X2 X3]

Energy Regulations [DOE 10 CFR PART 431:2016]

Reglements Énergétique [CEE ACT SOR/2018-201]

Impedance % @ 170°C [3.6]

Type de Coffrage [3R]

Poids lbs/kg [190/87]

Cust. Ref. []
Ref. du Client []

Phase [3]

Type [K]

Cooling Refroidissement [ANN]

kVA [15]

Temp. Rise Échauffement [150 °C]

Temp Class Classe Temp [220 °C]

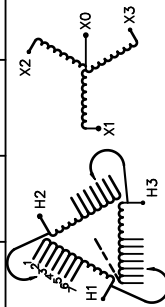
Winding Enroulement [CU]

Frequency Fréquence Hz [60]

Encl. Type Type de Coffrage [3R]

Weight Poids lbs/kg [190/87]

VOLTS	CURRENT COURANT	% RATED VOLTAGE % TENSION NOMINALE	CONNECTION EACH PHASE CONNECTION PAR PHASE
218	39.7	105	1
213	40.6	102.5	2
208	41.6	100	3
203	42.7	97.5	4
198	43.8	95	5
192	45.0	92.5	6
187	46.3	90	7



SEISMIC QUALIFICATIONS:
AS FLOOR MOUNT ONLY
IBC 2018/ASCE 7-16
SDS<=2.0g Z/h=0 Ip=1.5

SPACINGS BETWEEN ANY VENTILATED ENCLOSURE PANEL AND ANY ADJACENT WALL SHALL BE A MINIMUM OF 3 INCHES

LR 3902
DRY TYPE TRANSFORMER
77US E112313

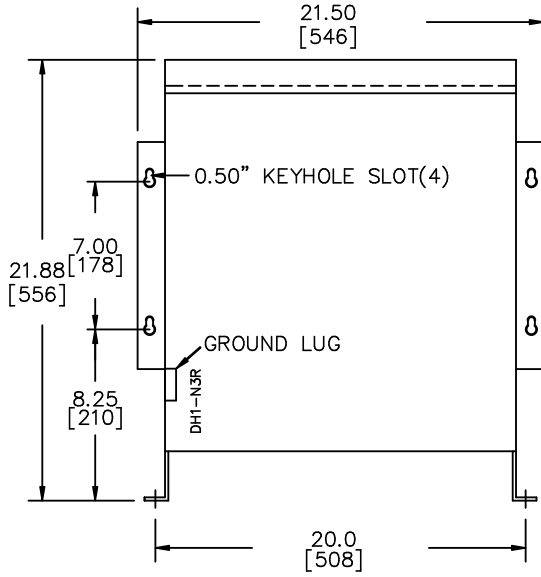


LISTED

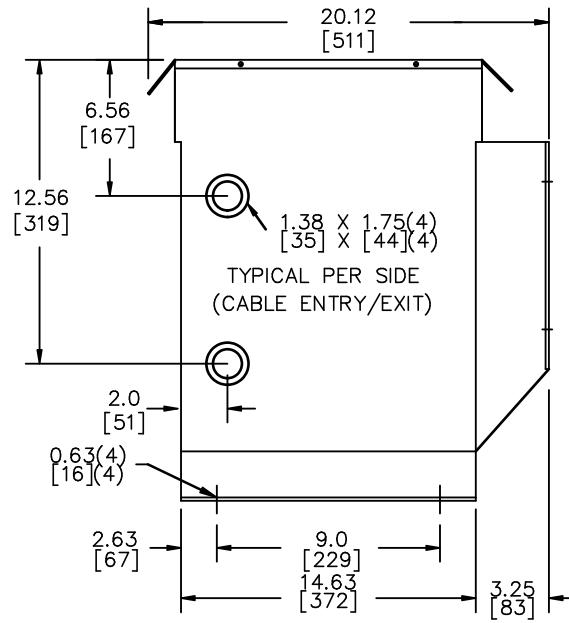
8 03423 112725 1
ALSO REFER TO CATALOGUE
TO ENERGY STANDARDS CROZ-18
BY UNDERWRITERS LABORATORIES INC. @ 316

d000186hb

FRONT VIEW



SIDE VIEW



All Dimensions in inches[mm]

ENCLOSURE COLOR : ANSI-61 GREY PAINT OUTDOOR

H.V.1. TERMINAL DETAIL

L.V.1. TERMINAL DETAIL

MECHANICAL TYPE LUGS INCLUDED
SUITABLE FOR #14-2 CU/AL
CONDUCTORS
1 CONDUCTOR PER PHASE

MECHANICAL TYPE LUGS INCLUDED
SUITABLE FOR #14-2 CU/AL
CONDUCTORS
1 CONDUCTOR PER PHASE

CUSTOMER NOTES:

- HV1 TERMINATED AT TOP FRONT
- LV1 TERMINATED AT BOTTOM FRONT



TITLE: 3PH DISTRIBUTION TRANSFORMER

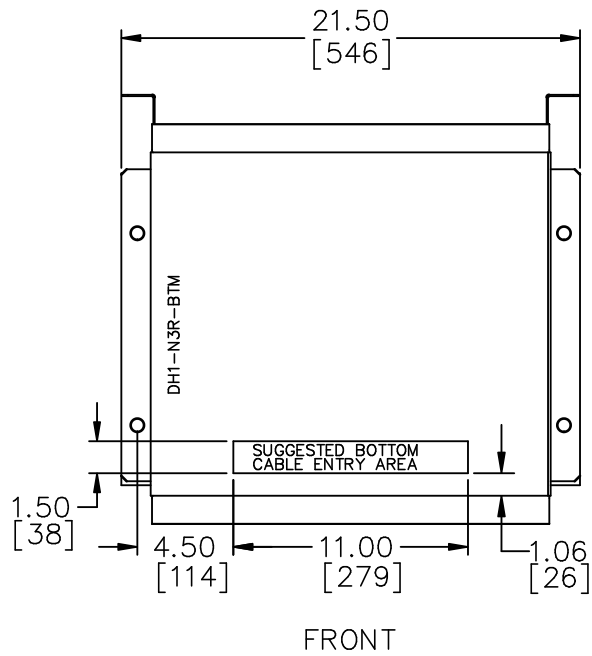
3	21/07/16	PP	EDB UPDATE	DES: JWEN
2	20/03/17	PP	SEISMIC UPDATE	DATE: 16/09/08
NO.	DATE	BY	REVISION	SCALE: NTS

SHEET 2 OF 3

EDBSC3A0015BBOC

3.0 Jwen 2021/07/16 12:52

ENCLOSURE BOTTOM VIEW



FRONT

NOTE:
 WHEN BOTTOM CABLE ENTRY IS OPTED, THE SPACE USED FOR CONDUITS IN THE FRONT OF THE TRANSFORMER SHOULD NOT OBSTRUCT MORE THAN 50% OF THE FRONT AIR INTAKE AREA DEFINED BETWEEN THE BOTTOM PLATE AND THE SUPPORTING LEGS.
 SEE MANUAL FOR ADDITIONAL INFORMATION



TITLE: 3PH DISTRIBUTION TRANSFORMER
 ENCLOSURE BOTTOM VIEW

3	21/07/16	PP	EDB UPDATE	DES: JWEN
2	20/03/17	PP	SEISMIC UPDATE	DATE: 16/09/08
NO.	DATE	BY	REVISION	SCALE: NTS

SHEET 3 OF 3

EDBSC3A0015BBOC

3.0 jwen 2021/07/16 12:52