



**Hammond Power Solutions Inc.**


TITLE: 3PH DISTRIBUTION TRANSFORMER  
NAMEPLATE INFORMATION

NO.	DATE	BY	REVISION	SCALE:
3	21/07/16	PP	EDB UPDATE	DES: JWEN
2	20/03/17	PP	SEISMIC UPDATE	DATE: 15/11/09
				SCALE: NTS

SHEET 1 OF 3

EDBSG3A0015DK

3.0 Jwen 2021/07/16 12:53



**Hammond Power Solutions**  
Guelph, ONT Compton, CA

**HPS Sentinel™ G**  
Energy Efficient Distribution Transformer  
Transformateur de Distribution à Bon Rendement Énergétique

LR 3902  
DRY TYPE TRANSFORMER 77US E112313  
8 03423 12328 4  
ALSO REFER TO ENERGY STANDARDS CRO20-18 BY UNDERWRITERS LABORATORIES INC. @ 316

Part No. SG3A0015DK

Serial No. [ ]  
No. de Serie [ ]

HV/HT [ ]  
BIL [ ]  
Term Bornes [ ]  
LV/BT [ ]  
BIL [ ]  
Term Bornes [ ]  
Energy Regulations [ ]  
Reglements de l'Energétique [ ]

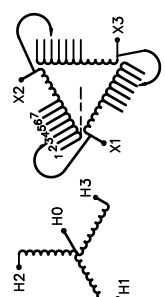
3  
K  
ANN  
15  
150 °C  
220 °C  
AL  
60  
4.9  
3R  
175/80

480Y/277V  
10 kV  
H0 H1 H2 H3  
240V  
10 kV  
X1 X2 X3  
DOE 10 CFR PART 431:2016  
CEE ACT SOR/2018-201

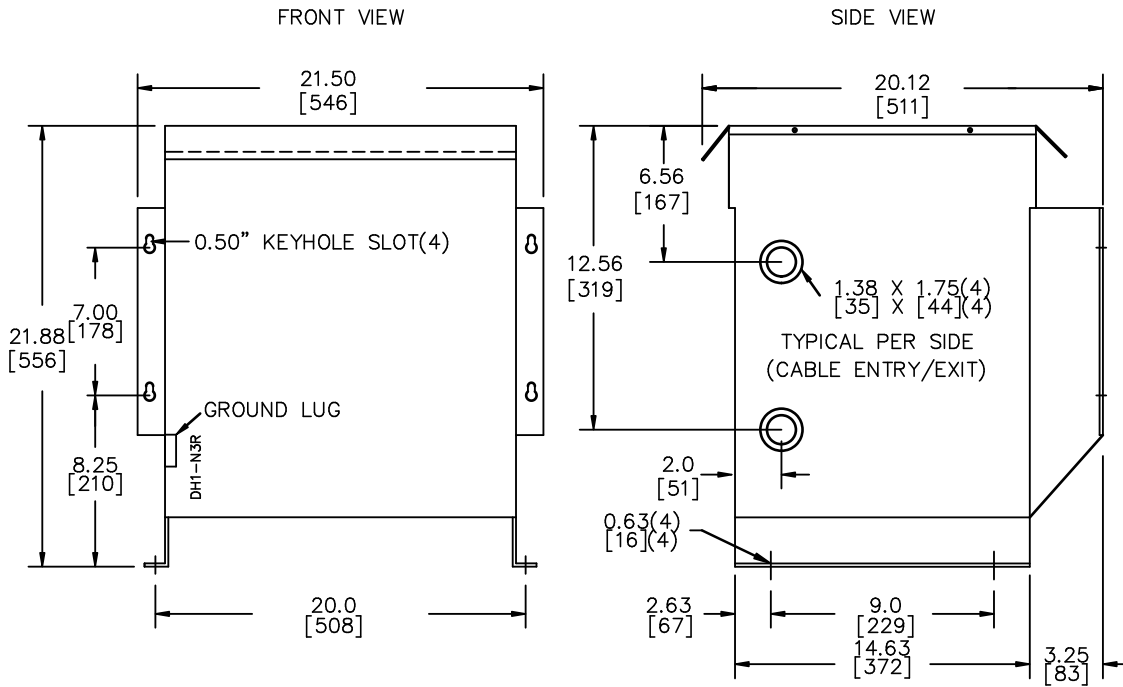
VOLTS	CURRENT COURANT	% RATED % TENSION NOMINALE	CONNECTION EACH PHASE CONNECTION PAR PHASE
252	34.4	105	1
246	35.2	102.5	2
240	36.1	100	3
234	37.0	97.5	4
228	38.0	95	5
222	39.0	92.5	6
216	40.1	90	7

SPACINGS BETWEEN ANY VENTILATED ENCLOSURE PANEL AND ANY ADJACENT WALL SHALL BE A MINIMUM OF 3 INCHES  
TRANSFORMER SUITABLE FOR STEP UP OPERATION ONLY

SEISMIC QUALIFICATIONS:  
OSP=01.36-10/IBC 2018/ASCE 7-16  
SDS<=2.0g Z/h=1 Ip=1.5



d000186hb



All Dimensions in inches[mm]

ENCLOSURE COLOR : ANSI-61 GREY PAINT OUTDOOR

H.V.1. TERMINAL DETAIL

L.V.1. TERMINAL DETAIL

MECHANICAL TYPE LUGS INCLUDED  
SUITABLE FOR #14-2 CU/AL  
CONDUCTORS  
1 CONDUCTOR PER PHASE

MECHANICAL TYPE LUGS INCLUDED  
SUITABLE FOR #14-2 CU/AL  
CONDUCTORS  
1 CONDUCTOR PER PHASE

CUSTOMER NOTES:

- HV1 TERMINATED AT BOTTOM FRONT
- LV1 TERMINATED AT TOP FRONT



TITLE: 3PH DISTRIBUTION TRANSFORMER

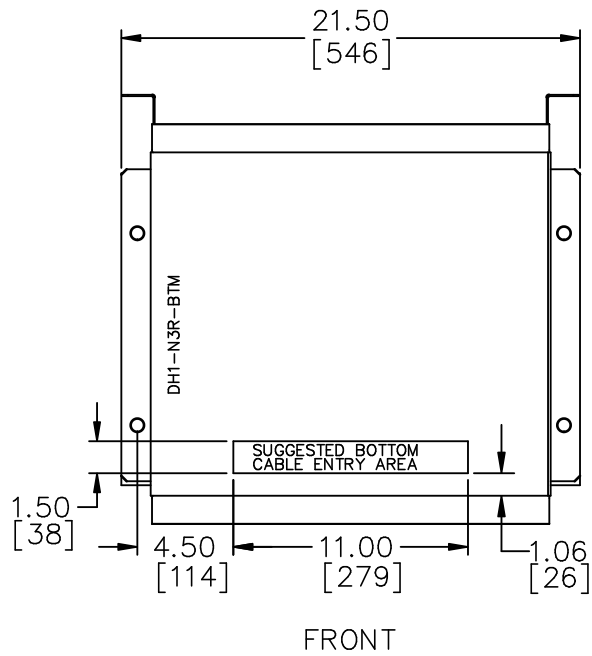
3	21/07/16	PP	EDB UPDATE	DES: JWEN
2	20/03/17	PP	SEISMIC UPDATE	DATE: 15/11/09
NO.	DATE	BY	REVISION	SCALE: NTS

SHEET 2 OF 3

EDBSC3A0015DK

3.0 Jwen 2021/07/16 12:53

ENCLOSURE BOTTOM VIEW



FRONT

NOTE:  
 WHEN BOTTOM CABLE ENTRY IS OPTED, THE SPACE USED FOR CONDUITS IN THE FRONT OF THE TRANSFORMER SHOULD NOT OBSTRUCT MORE THAN 50% OF THE FRONT AIR INTAKE AREA DEFINED BETWEEN THE BOTTOM PLATE AND THE SUPPORTING LEGS.  
 SEE MANUAL FOR ADDITIONAL INFORMATION



TITLE: 3PH DISTRIBUTION TRANSFORMER  
 ENCLOSURE BOTTOM VIEW

3	21/07/16	PP	EDB UPDATE	DES: JWEN
2	20/03/17	PP	SEISMIC UPDATE	DATE: 15/11/09
NO.	DATE	BY	REVISION	SCALE: NTS

SHEET 3 OF 3

EDBSC3A0015DK

3.0 jwen 2021/07/16 12:53