



Hammond Power Solutions Inc.


TITLE: 3PH DISTRIBUTION TRANSFORMER
NAMEPLATE INFORMATION

5	22/08/09	CS	NPL UPDATE	DES: JWEN
4	21/11/25	CS	NPL IMPEDANCE AND WEIGHT UPDATE	DATE: 15/11/09
NO.	DATE	BY	REVISION	SCALE: NTS

SHEET 1 OF 3

EDBSG3A0030KB

5.0 cshah 2022/08/09 13:08




Hammond Power Solutions
Guelph, ONT Compton, CA

HPS Sentinel™ G
Energy Efficient Distribution Transformer
Transformateur de Distribution à Bon Rendement Énergétique

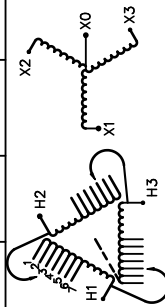
Baraboo, WI Monterrey, MX

Cust. Ref. [] Serial No. []
 Ref. du Client [] No. de Serie []
 Phase 3 HV/HT 480V 36.1A
 Type K BIL 10 kV
 Cooling Refroidissement ANN Term Bornes H1 H2 H3
 kVA 30 LV/BT 208Y/120V 83.3A
 Temp. Rise Echauffement 150 °C BIL 10 kV
 Temp Class Classe Temp 220 °C Term Bornes X0 X1 X2 X3
 Winding Enroulement AL Energy Regulations DOE 10 CFR PART 431:2016
 Frequency Fréquence Hz 60 Reglements de l'Énergétique CEE ACT SOR/2018-201
 Impedance % @ 170 °C 4.1
 Encl. Type Type de Coffrage 3R
 Weight Poids lbs/kg 290/132

LISTED  **LR 3902**
 DRY TYPE TRANSFORMER 80 03423172195 2
 ALSO REFER TO ENERGY STANDARDS BOARD C92.1-18
 BY UNDERWRITERS LABORATORIES INC. @ 316

VOLTS	CURRENT COURANT	% RATED VOLTAGE TENSION NOMINALE	CONNECTION EACH PHASE CONNECTION PAR PHASE
504	34.4	105	1
492	35.2	102.5	2
480	36.1	100	3
468	37.0	97.5	4
456	38.0	95	5
444	39.0	92.5	6
432	40.1	90	7

SPACINGS BETWEEN ANY VENTILATED ENCLOSURE PANEL AND ANY ADJACENT WALL SHALL BE A MINIMUM OF 3 INCHES

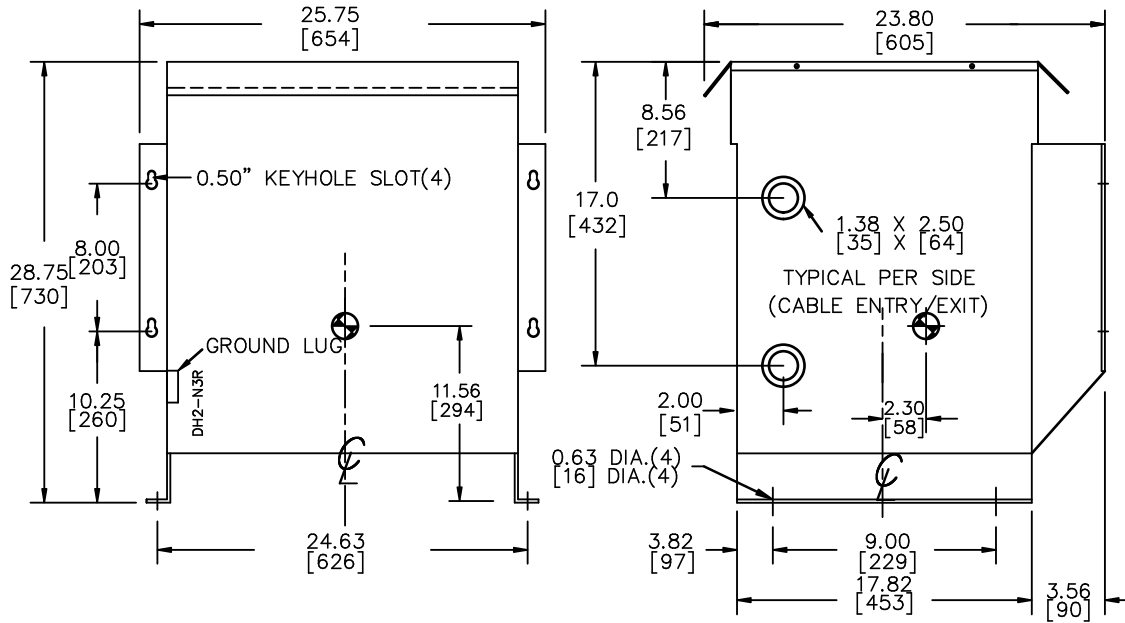


SEISMIC QUALIFICATIONS:
 OSP=01.36-10/IBC 2018/ASCE 7-16
 SDS<=2.0g Z/h=1 Ip=1.5

d000186hb

FRONT VIEW

SIDE VIEW



All Dimensions in inches[mm]

ENCLOSURE COLOR : ANSI 61 GREY - OUTDOOR

HV TERMINAL DETAIL

LV TERMINAL DETAIL

MECHANICAL TYPE LUGS INCLUDED
SUITABLE FOR #14-2 CU/AL
CONDUCTORS
1 CONDUCTOR PER PHASE

MECHANICAL TYPE LUGS INCLUDED
SUITABLE FOR #2/0-14 CU/AL
CONDUCTORS
1 CONDUCTOR PER PHASE

CUSTOMER NOTES:

- HV TERMINATED AT TOP FRONT
- LV TERMINATED AT BOTTOM FRONT



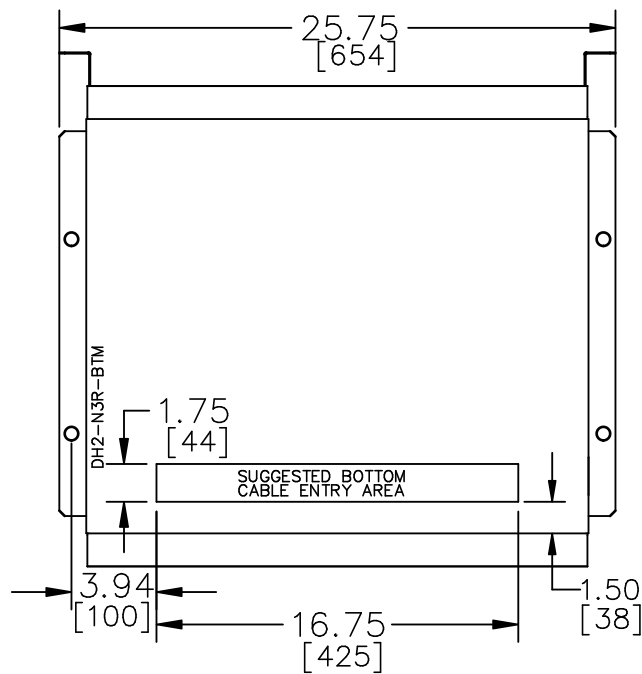
TITLE: 3PH DISTRIBUTION TRANSFORMER

5	22/08/09	CS	NPL UPDATE	DES: JWEN
4	21/11/25	CS	NPL IMPEDANCE AND WEIGHT UPDATE	DATE: 15/11/09
NO.	DATE	BY	REVISION	SCALE: NTS

SHEET 2 OF 3

EDBSC3A0030KB

ENCLOSURE BOTTOM VIEW



NOTE:
 WHEN BOTTOM CABLE ENTRY IS OPTED, THE SPACE USED FOR CONDUITS IN THE FRONT OF THE TRANSFORMER SHOULD NOT OBSTRUCT MORE THAN 50% OF THE FRONT AIR INTAKE AREA DEFINED BETWEEN THE BOTTOM PLATE AND THE SUPPORTING LEGS.
 SEE MANUAL FOR ADDITIONAL INFORMATION



TITLE: 3PH DISTRIBUTION TRANSFORMER
 ENCLOSURE BOTTOM VIEW

5	22/08/09	CS	NPL UPDATE	DES: JWEN
4	21/11/25	CS	NPL IMPEDANCE AND WEIGHT UPDATE	DATE: 15/11/09
NO.	DATE	BY	REVISION	SCALE: NTS

SHEET 3 OF 3

EDBSC3A0030KB