



Hammond Power Solutions Inc.


TITLE: 3PH DISTRIBUTION TRANSFORMER
NAMEPLATE INFORMATION

NO.	DATE	BY	REVISION	DES:	JWEN
4	21/12/13	CS	NPL IMPEDANCE AND WEIGHT UPDATE	DATE:	15/11/09
3	21/07/16	PP	EDB UPDATE	SCALE:	NTS

SHEET 1 OF 3

EDBSC3A0045BK

4.0 Jwen 2021/12/13 11:19



Hammond Power Solutions
Guelph, ONT Compton, CA

HPS Sentinel™ G
Energy Efficient Distribution Transformer
Transformateur de Distribution à Bon Rendement Énergétique

Baraboo, WI Monterrey, MX

Part No. **SG3A0045BK**

LR 3902
DRY TYPE TRANSFORMER
77US
E112313

ALSO REFER TO CONNECTION STANDARDS CRO2-18
BY UNDERWRITERS LABORATORIES INC. @ 316

LISTED

Serial No. []
No. de Serie []

Phase 3 HV/HT 480Y/277V 54.1A

Type K BIL 10 kV

Cooling Refroidissement ANN Term Bornes H0 H1 H2 H3

kVA 45 LV/BT 208V 125A

Temp. Rise Echauffement 150 °C BIL 10 kV

Temp Class Classe Temp 220 °C Term Bornes X1 X2 X3

Winding Enroulement AL Energy Regulations DOE 10 CFR PART 431:2016

Frequency Fréquence Hz 60 CEE ACT SOR/2018-201

Impedance % @ 170 °C 4.5

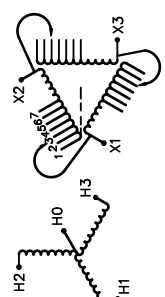
Encl. Type Type de Coffrage 3R

Weight Poids lbs/kg 403/183

VOLTS	CURRENT COURANT	% RATED VOLTAGE % TENSION NOMINALE	CONNECTION EACH PHASE CONNECTION PAR PHASE
218	119	105	1
213	122	102.5	2
208	125	100	3
203	128	97.5	4
198	131	95	5
192	135	92.5	6
187	139	90	7

SPACINGS BETWEEN ANY VENTILATED ENCLOSURE PANEL AND ANY ADJACENT WALL SHALL BE A MINIMUM OF 3 INCHES

TRANSFORMER SUITABLE FOR STEP UP OPERATION ONLY

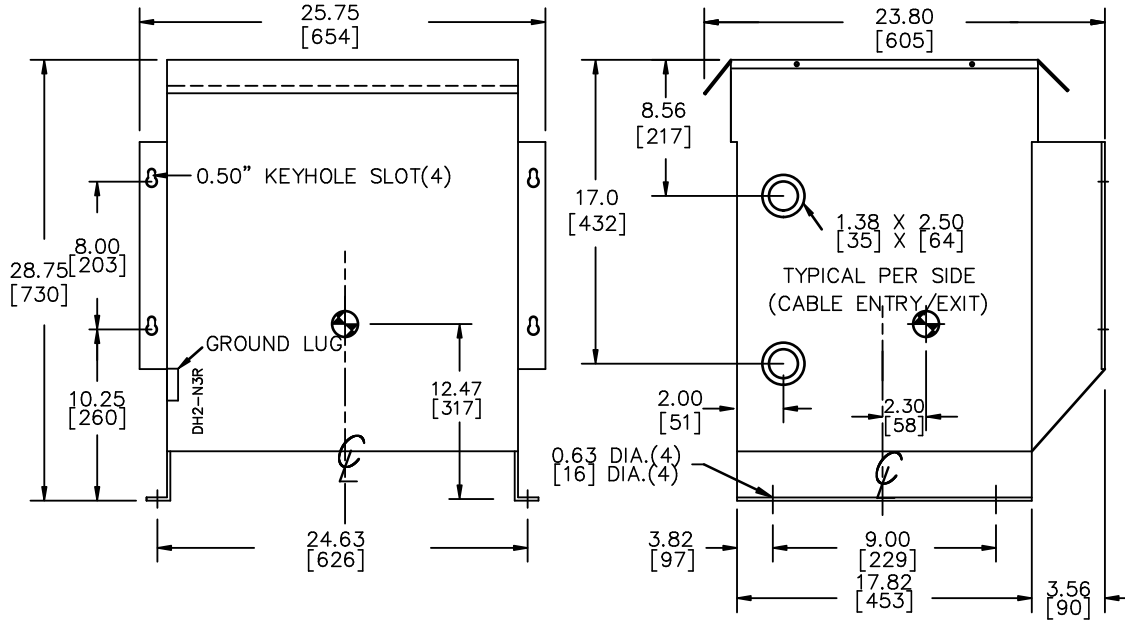


SEISMIC QUALIFICATIONS:
OSP=01.36-10/IBC 2018/ASCE 7-16
SDS<=2.0g Z/h=1 Ip=1.5

d000186hb

FRONT VIEW

SIDE VIEW



All Dimensions in inches[mm]

ENCLOSURE COLOR : ANSI 61 GREY - OUTDOOR

HV TERMINAL DETAIL

LV TERMINAL DETAIL

MECHANICAL TYPE LUGS INCLUDED
SUITABLE FOR #14-2 CU/AL
CONDUCTORS
1 CONDUCTOR PER PHASE

MECHANICAL TYPE LUGS INCLUDED
SUITABLE FOR 250MCM-6 CU/AL
CONDUCTORS
1 CONDUCTOR PER PHASE

CUSTOMER NOTES:

- HV TERMINATED AT BOTTOM FRONT
- LV TERMINATED AT TOP FRONT



TITLE: 3PH DISTRIBUTION TRANSFORMER

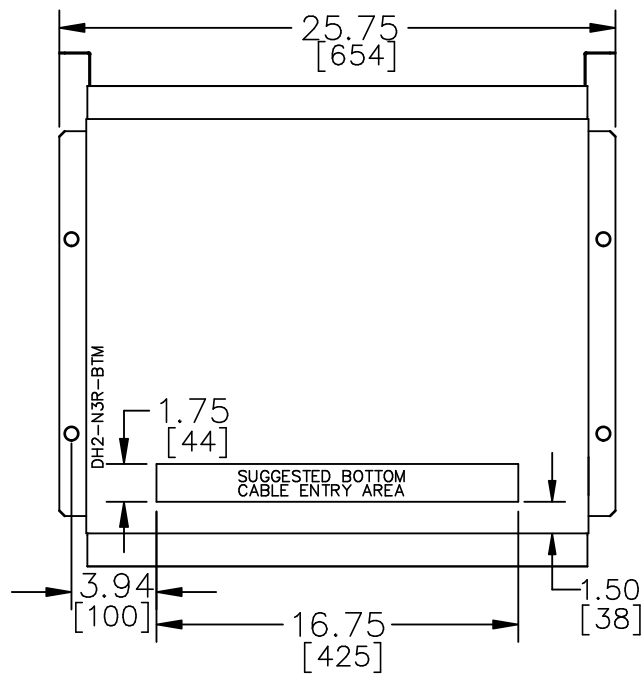
4	21/12/13	CS	NPL IMPEDANCE AND WEIGHT UPDATE	DES: JWEN
3	21/07/16	PP	EDB UPDATE	DATE: 15/11/09
NO.	DATE	BY	REVISION	SCALE: NTS

SHEET 2 OF 3

EDBSC3A0045BK

4.0 Jwen 2021/12/13 11:19

ENCLOSURE BOTTOM VIEW



NOTE:
 WHEN BOTTOM CABLE ENTRY IS OPTED, THE SPACE USED FOR CONDUITS IN THE FRONT OF THE TRANSFORMER SHOULD NOT OBSTRUCT MORE THAN 50% OF THE FRONT AIR INTAKE AREA DEFINED BETWEEN THE BOTTOM PLATE AND THE SUPPORTING LEGS.
 SEE MANUAL FOR ADDITIONAL INFORMATION



TITLE: 3PH DISTRIBUTION TRANSFORMER
 ENCLOSURE BOTTOM VIEW

4	21/12/13	CS	NPL IMPEDANCE AND WEIGHT UPDATE	DES: JWEN
3	21/07/16	PP	EDB UPDATE	DATE: 15/11/09
NO.	DATE	BY	REVISION	SCALE: NTS

SHEET 3 OF 3

EDBSC3A0045BK

4.0 jwen 2021/12/13 11:19