



Hammond Power Solutions Inc.


TITLE: 3PH DISTRIBUTION TRANSFORMER
NAMEPLATE INFORMATION

3	21/07/16	PP	EDB UPDATE	DES: PPICASSI
2	20/03/17	PP	SEISMIC UPDATE	DATE: 16/01/05
NO.	DATE	BY	REVISION	SCALE: NTS

SHEET 1 OF 3

EDBSC3A0045KY

3.0 Jwen 2021/07/16 13:05



Hammond Power Solutions
Guelph, ONT Compton, CA

HPS Sentinel™ G
Energy Efficient Distribution Transformer
Transformateur de Distribution à Bon Rendement Énergétique

Baraboo, WI
Monterrey, MX

Part No. **SG3A0045KY**

Serial No.
No. de Serie

3

HV/HT

480V

54.1A

Type

K

BIL

10 kV

Term Bornes

H1 H2 H3

Cooling
Refrondissement

ANN

LV/BT

400Y/231V

65.0A

Temp. Rise
Échauffement

150 °C

BIL

10 kV

Term Bornes

X0 X1 X2 X3

Temp Class
Classe Temp

220 °C

Winding
Enroulement

AL

Energy Regulations
Règlements Énergétique

DOE 10 CFR PART 431:2016

Frequency
Fréquence Hz

60

Impedance %
① 170 °C

5.2

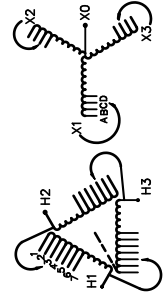
CEE ACT SOR/2018-201

Encl. Type
Type de Coffrage

3R

Weight
Poids

395/180



SEISMIC QUALIFICATIONS:
OSP=01.36-10/IBC 2018/ASCE 7-16
SDS<=2.0g Z/h=1 Ip=1.5

SPACINGS BETWEEN ANY VENTILATED ENCLOSURE PANEL AND ANY ADJACENT WALL SHALL BE A MINIMUM OF 3 INCHES

0000186hb



LR 3902

DRY TYPE
TRANSFORMER
77US
E112313



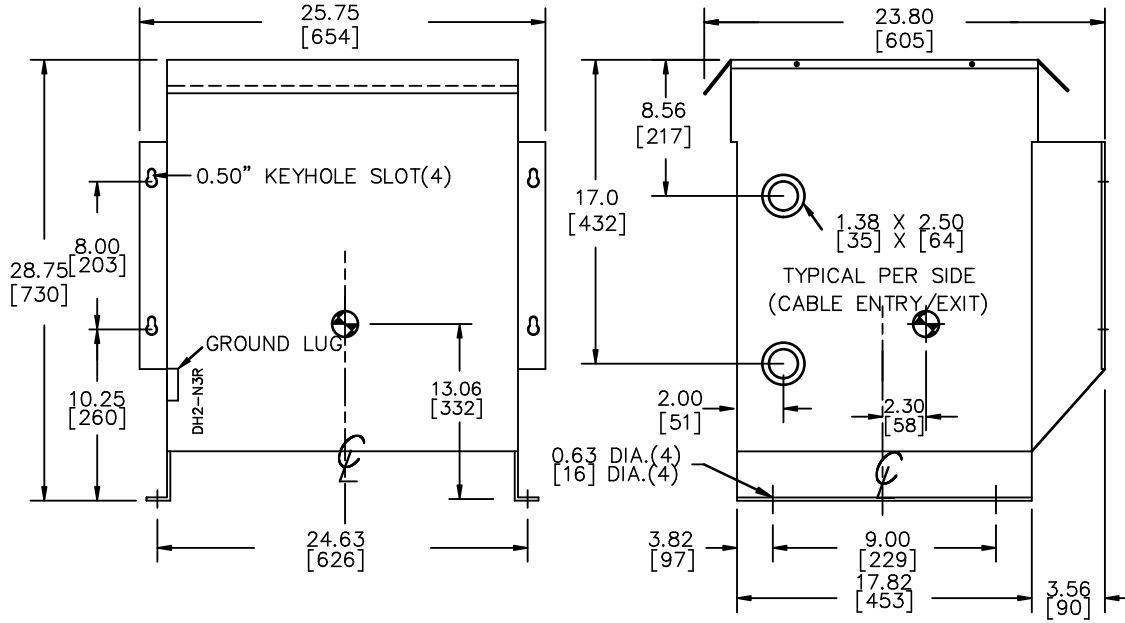
8 03423 12795 4

ALSO REFER TO ENERGY STANDARDS CRO2-18
BY UNDERWRITERS LABORATORIES INC. 01/16

VOLTS	CURRENT COURANT	% RATED % TENSION NOMINALE	CONNECTION EACH PHASE CONNECTION PAR PHASE
504	51.5	105	1
492	52.8	102.5	2
480	54.1	100	3
468	55.5	97.5	4
456	57.0	95	5
444	58.5	92.5	6
432	60.1	90	7
430	60.4	107.5	A
416	62.5	104	B
400	65	100	C
380	68.4	95	D

FRONT VIEW

SIDE VIEW



All Dimensions in inches[mm]

ENCLOSURE COLOR : ANSI 61 GREY – OUTDOOR

HV TERMINAL DETAIL

LV TERMINAL DETAIL

MECHANICAL TYPE LUGS INCLUDED
SUITABLE FOR #14-2 CU/AL
CONDUCTORS
1 CONDUCTOR PER PHASE

MECHANICAL TYPE LUGS INCLUDED
SUITABLE FOR #14-2 CU/AL
CONDUCTORS
1 CONDUCTOR PER PHASE

CUSTOMER NOTES:

- HV TERMINATED AT TOP FRONT
- LV TERMINATED AT BOTTOM FRONT



TITLE: 3PH DISTRIBUTION TRANSFORMER

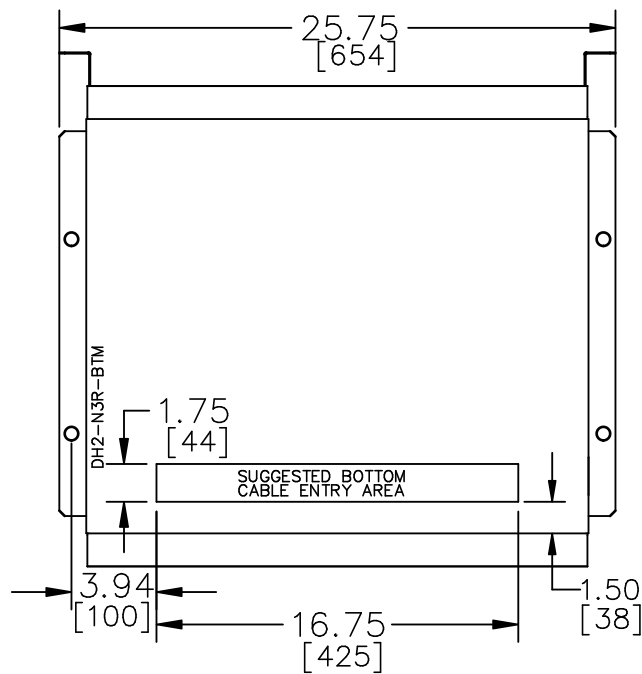
3	21/07/16	PP	EDB UPDATE	DES: PPLICASSI
2	20/03/17	PP	SEISMIC UPDATE	DATE: 16/01/05
NO.	DATE	BY	REVISION	SCALE: NTS

SHEET 2 OF 3

EDBSC3A004SKY

3.0 wed 19/07/2016 13:05

ENCLOSURE BOTTOM VIEW



NOTE:
 WHEN BOTTOM CABLE ENTRY IS OPTED, THE SPACE USED FOR CONDUITS IN THE FRONT OF THE TRANSFORMER SHOULD NOT OBSTRUCT MORE THAN 50% OF THE FRONT AIR INTAKE AREA DEFINED BETWEEN THE BOTTOM PLATE AND THE SUPPORTING LEGS.
 SEE MANUAL FOR ADDITIONAL INFORMATION



TITLE: 3PH DISTRIBUTION TRANSFORMER
 ENCLOSURE BOTTOM VIEW

3	21/07/16	PP	EDB UPDATE	DES: PPLICASSI
2	20/03/17	PP	SEISMIC UPDATE	DATE: 16/01/05
NO.	DATE	BY	REVISION	SCALE: NTS

SHEET 3 OF 3

EDBSC3A004SKY