

d000186hb



SPR @ LR 3902  
 DRY TYPE  
 DISTRIBUTION TRANSFORMER  
 E112313



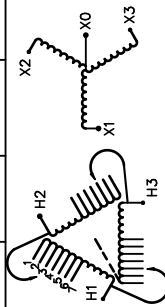
HPS Sentinel™ G  
 Energy Efficient Distribution Transformer  
 Transformateur de Distribution à Bon Rendement Énergétique

Hammond Power Solutions  
 Guelph, ONT Compton, CA  
 Baraboo, WI Monterrey, MX  
 Part No. SG3A0075DBOC



Cust. Ref. Ref. du Client	Serial No. No. de Serie				
Phase	HV/HT	240V	180A		
Type	BIL	10 kV			
Cooling Refrondissement	ANN	H1 H2 H3			
kVA	75	208Y/120V	208A		
Temp. Rise Echauffement	150 °C	10 kV			
Temp Class Classe Temp	220 °C	X0 X1 X2 X3			
Winding Enroulement	CU	DOE 10 CFR PART 431:2016			
Frequency Frequence Hz	60	CEE ACT SOR/2011-182			
Impedance % @ 170 °C	3.2				
Encl. Type Type de Coffrage	3R	ALSO VERIFIED IN AGREEMENT TO ENERGY STANDARD C802.2-12 BY UNDERWRITERS LABORATORIES, INC. 3346			
Weight lbs/kg Poids	625/284				

VOLTS	CURRENT COURANT	% RATED VOLTAGE % TENSION NOMINALE	CONNECTION EACH PHASE CONNECTION PAR PHASE
252	172	105	1
246	176	102.5	2
240	180	100	3
234	185	97.5	4
228	190	95	5
222	195	92.5	6
216	200	90	7



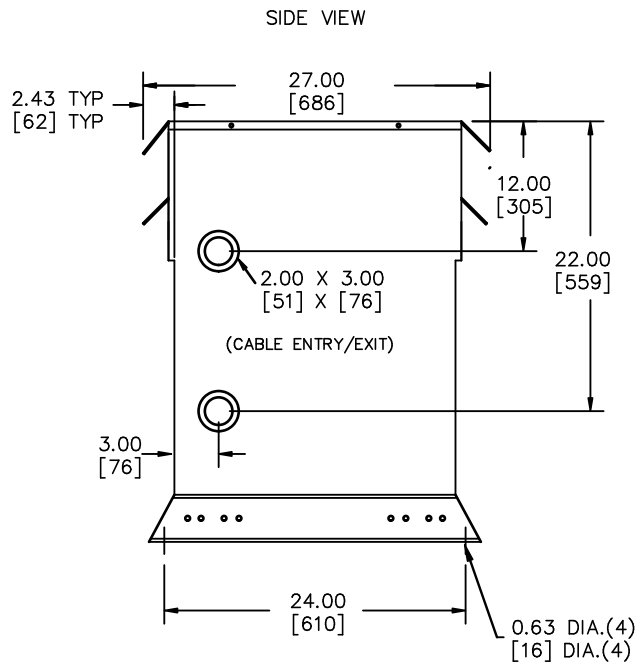
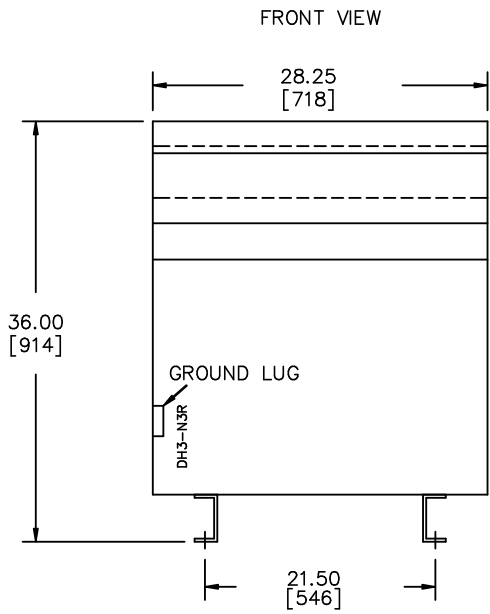
SEISMIC QUALIFICATIONS:  
 AS FLOOR MOUNT ONLY  
 IBC 2018/ASCE 7-16  
 SDS<=2.0g Z/h=1 Ip=1.5



Hammond Power Solutions Inc.

TITLE:		3PH DISTRIBUTION TRANSFORMER NAMEPLATE INFORMATION	
4	21/07/16	PP	EDB UPDATE
3	20/03/17	PP	SEISMIC UPDATE
NO.	DATE	BY	REVISION
			DES: GPATEL DATE: 16/01/29 SCALE: NTS

SHEET 1 OF 3  
 EDBSG3A0075DBOC  
 4.0 Jwen 2021/07/16 13:08



All Dimensions in inches[mm]

ENCLOSURE COLOR :ANSI 61 GREY – OUTDOOR

HV TERMINAL DETAIL

LV TERMINAL DETAIL

MECHANICAL TYPE LUGS INCLUDED  
SUITABLE FOR 350MCM-6 CU/AL  
CONDUCTORS  
1 CONDUCTOR PER PHASE

MECHANICAL TYPE LUGS INCLUDED  
SUITABLE FOR 600MCM-2 CU/AL  
CONDUCTORS  
1 CONDUCTOR PER PHASE

CUSTOMER NOTES:

- HV TERMINATED AT TOP FRONT
- LV TERMINATED AT BOTTOM FRONT



TITLE: 3PH DISTRIBUTION TRANSFORMER

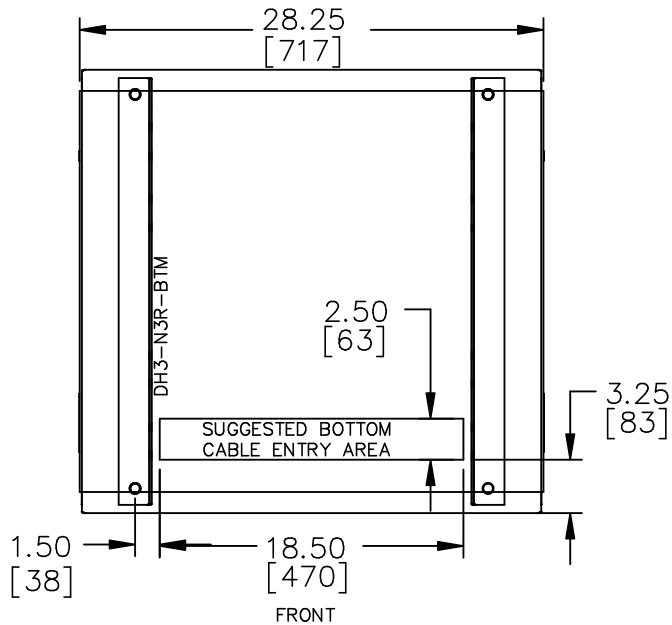
4	21/07/16	PP	EDB UPDATE	DES: GPATEL
3	20/03/17	PP	SEISMIC UPDATE	DATE: 16/01/29
NO.	DATE	BY	REVISION	SCALE: NTS

SHEET 2 OF 3

EDBSC3A0075DBOC

4.0 (wen 2021/07/16 13:08)

ENCLOSURE BOTTOM VIEW



NOTE:  
 WHEN BOTTOM CABLE ENTRY IS OPTED, THE SPACE USED FOR CONDUITS IN THE FRONT OF THE TRANSFORMER SHOULD NOT OBSTRUCT MORE THAN 50% OF THE FRONT AIR INTAKE AREA DEFINED BETWEEN THE BOTTOM PLATE AND THE SUPPORTING LEGS.  
 SEE MANUAL FOR ADDITIONAL INFORMATION



TITLE: 3PH DISTRIBUTION TRANSFORMER  
 ENCLOSURE BOTTOM VIEW

4	21/07/16	PP	EDB UPDATE	DES: GPATEL
3	20/03/17	PP	SEISMIC UPDATE	DATE: 16/01/29
NO.	DATE	BY	REVISION	SCALE: NTS

SHEET 3 OF 3

EDBSC3A0075DBOC

4.0 Jwen 2021/07/16 13:08