



Hammond Power Solutions Inc.


TITLE: 3PH DISTRIBUTION TRANSFORMER
NAMEPLATE INFORMATION

3	21/07/16	PP	EDB UPDATE	DES: JWEN
2	20/03/17	PP	SEISMIC UPDATE	DATE: 15/11/09
NO.	DATE	BY	REVISION	SCALE: NTS

SHEET 1 OF 3

EDBSC3A0075DK

3.0 Jwen 2021/07/16 13:08



Hammond Power Solutions
Guelph, ONT Compton, CA

HPS Sentinel™ G
Energy Efficient Distribution Transformer
Transformateur de Distribution à Bon Rendement Énergétique

LR 3902
DRY TYPE TRANSFORMER 77US E112313
ALSO REFER TO ENERGY STANDARDS CRO20-18 BY UNDERWRITERS LABORATORIES INC. @ 316

Part No. SG3A0075DK

Serial No. []
HV/HT 480Y/277V 90.2A
BIL 10 kV
Term Bornes H0 H1 H2 H3
LV/BT 240V 180A
BIL 10 kV
Term Bornes X1 X2 X3

DOE 10 CFR PART 431:2016
CEE ACT SOR/2018-201

Reglements Énergétique

Cust. Ref. []
Phase 3
Type K
Cooling Refroidissement ANN
kVA 75
Temp. Rise Échauffement 150 °C
Temp Class Classe Temp 220 °C
Winding Enroulement AL
Frequency Fréquence Hz 60
Impedance % @ 170 °C 4.7
Encl. Type Type De Coffrage 3R
Weight Poids lbs/kg 585/266

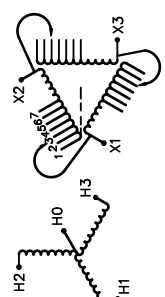
Hammond Power Solutions
Baraboo, WI
Monterrey, MX

LISTED

480Y/277V 90.2A
10 kV
H0 H1 H2 H3
240V 180A
10 kV
X1 X2 X3

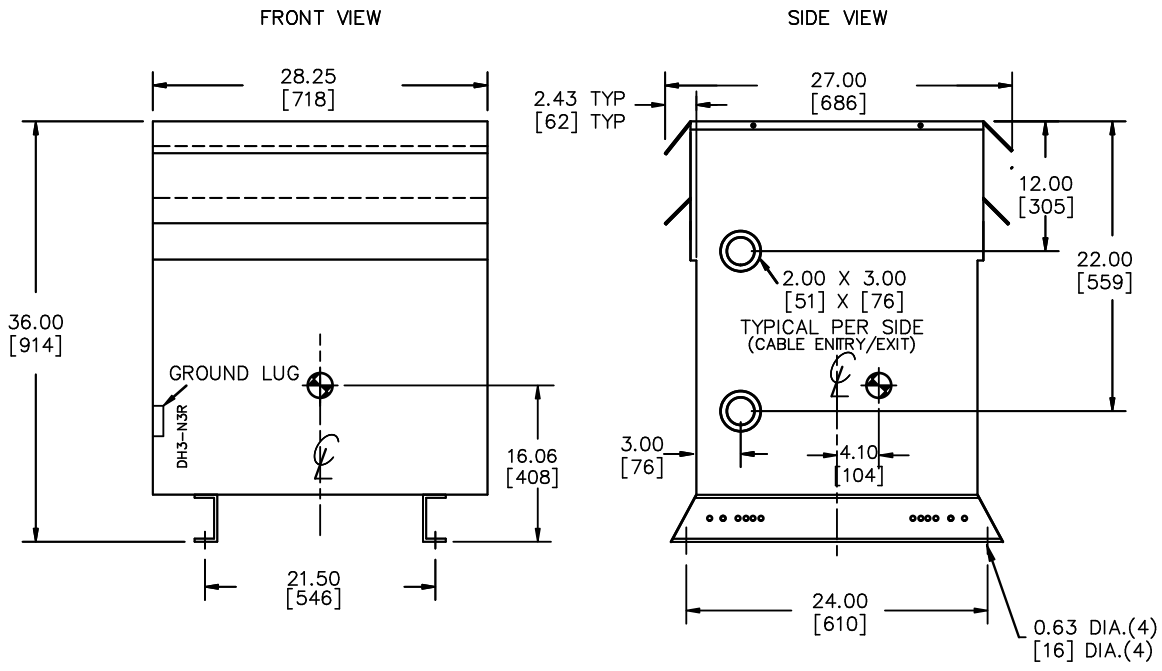
VOLTS	CURRENT COURANT	% RATED VOLTAGE % TENSION NOMINALE	CONNECTION EACH PHASE CONNECTION PAR PHASE
252	172	105	1
246	176	102.5	2
240	180	100	3
234	185	97.5	4
228	190	95	5
222	195	92.5	6
216	200	90	7

SPACINGS BETWEEN ANY VENTILATED ENCLOSURE PANEL AND ANY ADJACENT WALL SHALL BE A MINIMUM OF 3 INCHES
TRANSFORMER SUITABLE FOR STEP UP OPERATION ONLY



SEISMIC QUALIFICATIONS:
AS FLOOR MOUNT ONLY
IBC 2018/ASCE 7-16
SDS<=2.0g Z/h=1 Ip=1.5

d000186hb



All Dimensions in inches[mm]

ENCLOSURE COLOR :ANSI 61 GREY – OUTDOOR

H.V.1. TERMINAL DETAIL

L.V.1. TERMINAL DETAIL

MECHANICAL TYPE LUGS INCLUDED
SUITABLE FOR #2/0-14 CU/AL
CONDUCTORS
1 CONDUCTOR PER PHASE

MECHANICAL TYPE LUGS INCLUDED
SUITABLE FOR 350MCM-6 CU/AL
CONDUCTORS
1 CONDUCTOR PER PHASE

CUSTOMER NOTES:

- HV1 TERMINATED AT BOTTOM FRONT
- LV1 TERMINATED AT TOP FRONT



TITLE: 3PH DISTRIBUTION TRANSFORMER

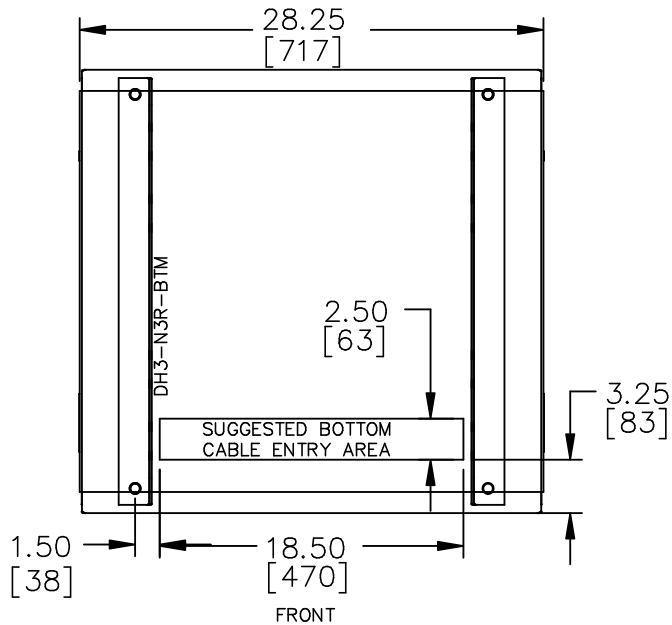
3	21/07/16	PP	EDB UPDATE	DES: JWEN
2	20/03/17	PP	SEISMIC UPDATE	DATE: 15/11/09
NO.	DATE	BY	REVISION	SCALE: NTS

SHEET 2 OF 3

EDBSC3A0075DK

3.0 Jwen 2021/07/16 13:00

ENCLOSURE BOTTOM VIEW



NOTE:
 WHEN BOTTOM CABLE ENTRY IS OPTED, THE SPACE USED FOR CONDUITS IN THE FRONT OF THE TRANSFORMER SHOULD NOT OBSTRUCT MORE THAN 50% OF THE FRONT AIR INTAKE AREA DEFINED BETWEEN THE BOTTOM PLATE AND THE SUPPORTING LEGS.
 SEE MANUAL FOR ADDITIONAL INFORMATION



TITLE: 3PH DISTRIBUTION TRANSFORMER
 ENCLOSURE BOTTOM VIEW

3	21/07/16	PP	EDB UPDATE	DES: JWEN
2	20/03/17	PP	SEISMIC UPDATE	DATE: 15/11/09
NO.	DATE	BY	REVISION	SCALE: NTS

SHEET 3 OF 3

EDBSC3A0075DK

3.0 jwen 2021/07/16 13:08