



**Hammond Power Solutions Inc.**


TITLE: 3PH DISTRIBUTION TRANSFORMER  
NAMEPLATE INFORMATION

5	22/08/09	CS	NPL UPDATE	DES: JWEN
4	21/11/25	CS	NPL IMPEDANCE AND WEIGHT UPDATE	DATE: 15/11/09
NO.	DATE	BY	REVISION	SCALE: NTS

SHEET 1 OF 3

EDBSG3A0075KB

5.0 cshah 2022/08/09 13:07



**Hammond Power Solutions**  
Guelph, ONT  
Hyderabad, IN Compton, CA Monterrey, MX

**HPS Sentinel™ G**  
Energy Efficient Distribution Transformer  
Transformateur de Distribution à Bon Rendement Énergétique

Part No. **SG3A0075KB**

DRY TYPE TRANSFORMER  
77US E112313  
ALSO REFER TO ENERGY STANDARDS CRO22-18  
BY UNDERWRITERS LABORATORIES INC. 0148

Serial No. [ ]  
No. de Serie [ ]

Phase 3 HV/HT 480V 90.2A

Type K BIL 10 kV

Cooling Refroidissement ANN Term Bornes H1 H2 H3

kVA 75 LV/BT 208Y/120V 208A

Temp. Rise Echauffement 150 °C BIL 10 kV

Temp Class Classe Temp 220 °C Term Bornes X0 X1 X2 X3

Winding Enroulement AL Energy Regulations DOE 10 CFR PART 431:2016

Frequency Fréquence Hz 60 Reglements de l'Energétique CEE ACT SOR/2018-201

Impedance % @ 170 °C 5.5

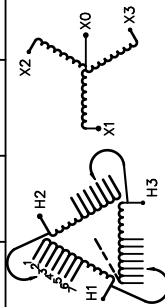
Encl. Type Type de Coffrage 3R

Weight Poids lbs/kg 575/261

LISTED

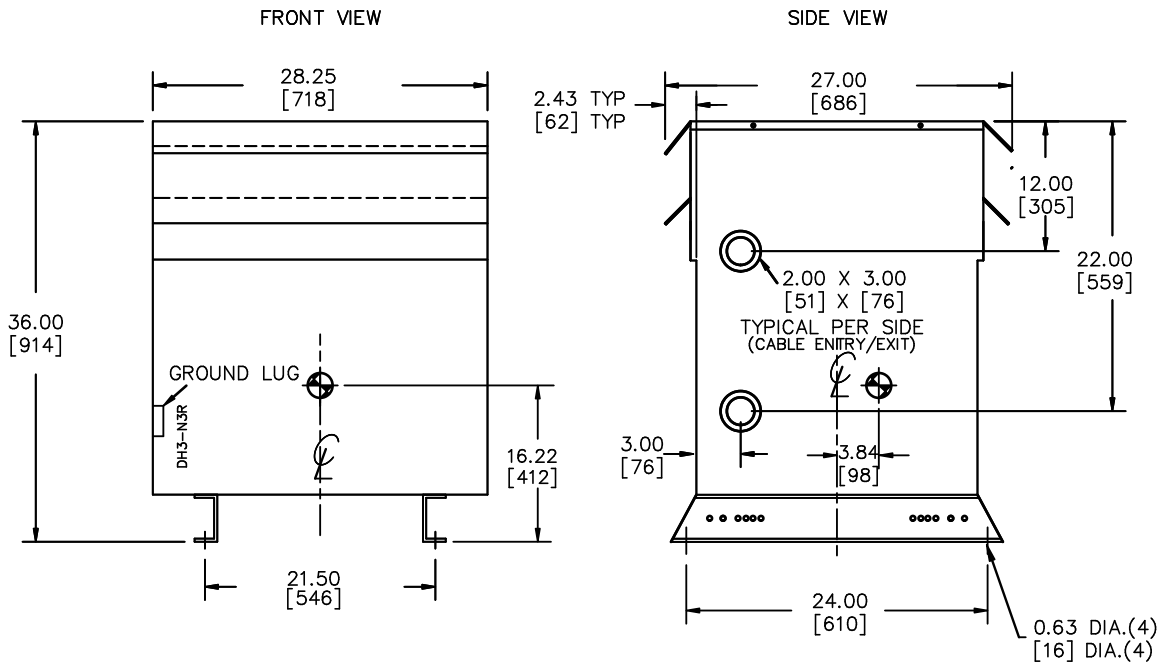
SPACINGS BETWEEN ANY VENTILATED ENCLOSURE PANEL AND ANY ADJACENT WALL SHALL BE A MINIMUM OF 3 INCHES

VOLTS	CURRENT COURANT	% RATED VOLTAGE % TENSION NOMINALE	CONNECTION EACH PHASE CONNECTION PAR PHASE
504	85.9	105	1
492	88.0	102.5	2
480	90.2	100	3
468	92.5	97.5	4
456	95.0	95	5
444	97.5	92.5	6
432	100.2	90	7



SEISMIC QUALIFICATIONS:  
AS FLOOR MOUNT ONLY  
IBC 2018/ASCE 7-16  
SDS<=2.0g Z/h=1 Ip=1.5

d000186hb



All Dimensions in inches[mm]

ENCLOSURE COLOR :ANSI 61 GREY – OUTDOOR

HV TERMINAL DETAIL

LV TERMINAL DETAIL

MECHANICAL TYPE LUGS INCLUDED  
SUITABLE FOR #2/0-14 CU/AL  
CONDUCTORS  
1 CONDUCTOR PER PHASE

MECHANICAL TYPE LUGS INCLUDED  
SUITABLE FOR 600MCM-2 CU/AL  
CONDUCTORS  
1 CONDUCTOR PER PHASE

CUSTOMER NOTES:

- HV TERMINATED AT TOP FRONT
- LV TERMINATED AT BOTTOM FRONT



TITLE: 3PH DISTRIBUTION TRANSFORMER

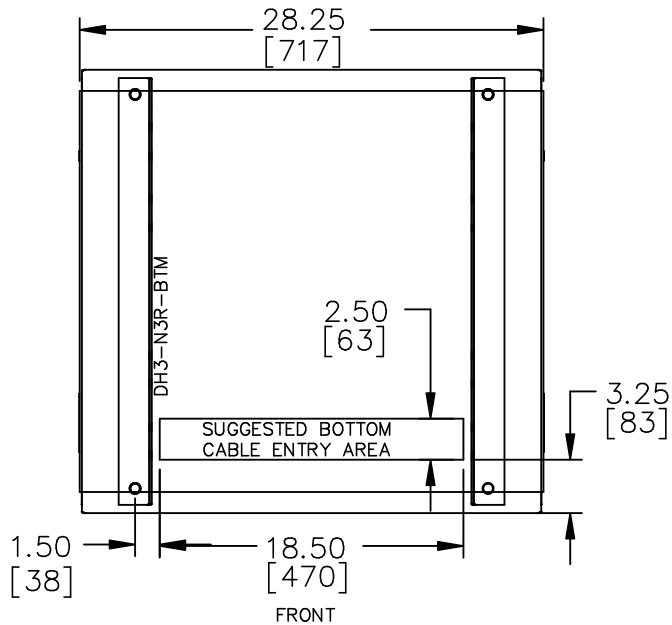
5	22/08/09	CS	NPL UPDATE	DES: JWEN
4	21/11/25	CS	NPL IMPEDANCE AND WEIGHT UPDATE	DATE: 15/11/09
NO.	DATE	BY	REVISION	SCALE: NTS

SHEET 2 OF 3

EDBSC3A0075KB

5.0 cshah 2022/08/09 13:07

ENCLOSURE BOTTOM VIEW



NOTE:  
 WHEN BOTTOM CABLE ENTRY IS OPTED, THE SPACE USED FOR CONDUITS IN THE FRONT OF THE TRANSFORMER SHOULD NOT OBSTRUCT MORE THAN 50% OF THE FRONT AIR INTAKE AREA DEFINED BETWEEN THE BOTTOM PLATE AND THE SUPPORTING LEGS.  
 SEE MANUAL FOR ADDITIONAL INFORMATION



TITLE: 3PH DISTRIBUTION TRANSFORMER  
 ENCLOSURE BOTTOM VIEW

5	22/08/09	CS	NPL UPDATE	DES: JWEN
4	21/11/25	CS	NPL IMPEDANCE AND WEIGHT UPDATE	DATE: 15/11/09
NO.	DATE	BY	REVISION	SCALE: NTS

SHEET 3 OF 3

EDBSG3A0075KB