



Hammond Power Solutions Inc.


TITLE: 3PH DISTRIBUTION TRANSFORMER
NAMEPLATE INFORMATION

3	21/07/16	PP	EDB UPDATE	DES: JWEN
2	20/03/17	PP	SEISMIC UPDATE	DATE: 15/11/09
NO.	DATE	BY	REVISION	SCALE: NTS

SHEET 1 OF 3

EDBSC3A0112DB

3.0 Jwen 2021/07/16 13:13



Hammond Power Solutions
Guelph, ONT Compton, CA

HPS Sentinel™ G
Energy Efficient Distribution Transformer
Transformateur de Distribution à Bon Rendement Énergétique

LR 3902
DRY TYPE TRANSFORMER
77US E112313

8 03423112322 2
ALSO REFER TO ENERGY STANDARDS CROD 2015-18
BY UNDERWRITERS LABORATORIES INC. @ 316

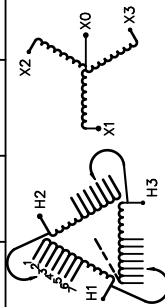
LISTED

Hammond Power Solutions Part No. SG3A0112DB

Baraboo, WI
Monterrey, MX

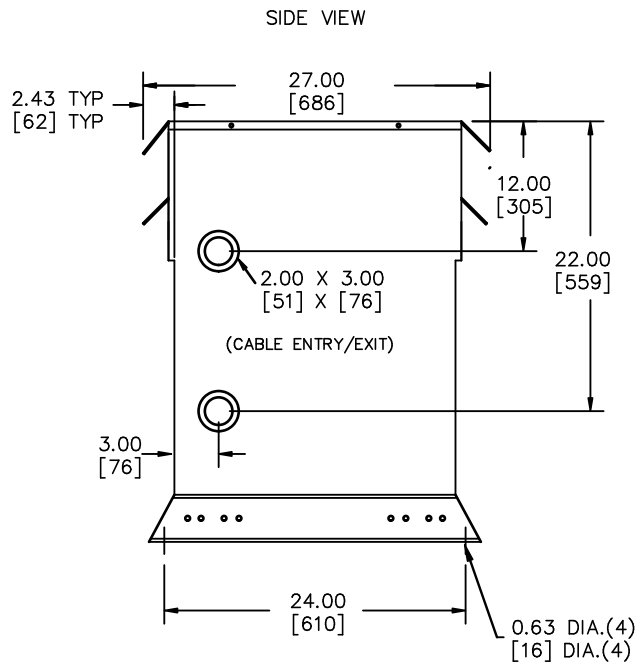
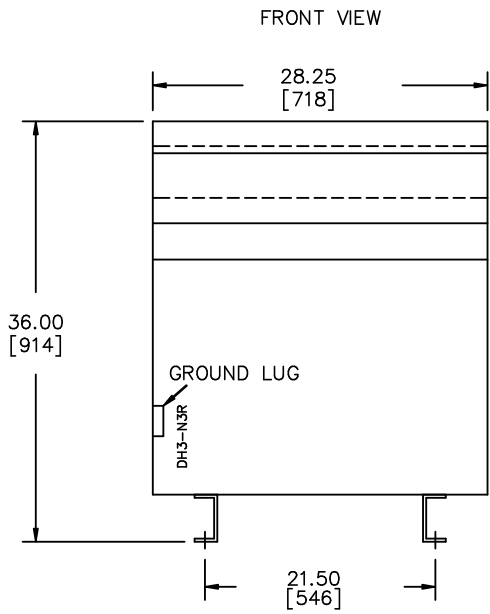
Cust. Ref.	Serial No.			
Ref. du Client	No. de Serie			
Phase	HV/HT	240V		
Type	BIL	10 kV		
Cooling	Term Bornes	H1 H2 H3		
Refrédissement	LV/BT	208Y/120V		
kVA				
Temp. Rise	BIL	10 kV		
Echauffement	Term Bornes	X0 X1 X2 X3		
Temp Class				
Classe Temp				
Winding	Energy Regulations	DOE 10 CFR PART 431:2016		
Enroulement	Reglements de Régulation Énergétique	CEE ACT SOR/2018-201		
Frequency Hz				
Impedance % @ 170 °C				
Encl. Type				
Type de Coffrage				
Weight lbs/kg				
Poids				720/327

VOLTS	CURRENT COURANT	% RATED % TENSION NOMINALE	CONNECTION EACH PHASE CONNECTION PAR PHASE
252	258	105	1
246	264	102.5	2
240	271	100	3
234	278	97.5	4
228	285	95	5
222	293	92.5	6
216	301	90	7



SEISMIC QUALIFICATIONS:
AS FLOOR MOUNT ONLY
IBC 2018/ASCE 7-16
SDS<=2.0g Z/h=1 Ip=1.5

d000186hb



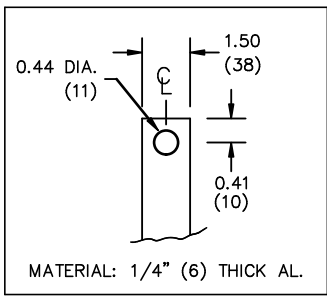
All Dimensions in inches[mm]

ENCLOSURE COLOR :ANSI 61 GREY – OUTDOOR

H.V.1. TERMINAL DETAIL

L.V.1. TERMINAL DETAIL

MECHANICAL TYPE LUGS INCLUDED
SUITABLE FOR 350MCM-6 CU/AL
CONDUCTORS
2 CONDUCTORS PER PHASE



CUSTOMER NOTES:

- HV1 TERMINATED AT TOP FRONT
- LV1 TERMINATED AT BOTTOM FRONT



TITLE: 3PH DISTRIBUTION TRANSFORMER

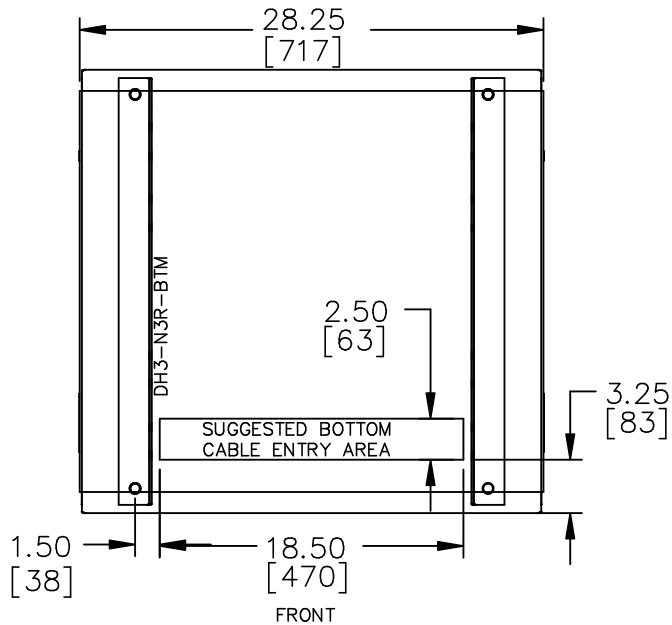
3	21/07/16	PP	EDB UPDATE	DES: JWEN
2	20/03/17	PP	SEISMIC UPDATE	DATE: 15/11/09
NO.	DATE	BY	REVISION	SCALE: NTS

SHEET 2 OF 3

EDBSC3A0112DB

3.0 wed 20/07/2016 13:13

ENCLOSURE BOTTOM VIEW



NOTE:
 WHEN BOTTOM CABLE ENTRY IS OPTED, THE SPACE USED FOR CONDUITS IN THE FRONT OF THE TRANSFORMER SHOULD NOT OBSTRUCT MORE THAN 50% OF THE FRONT AIR INTAKE AREA DEFINED BETWEEN THE BOTTOM PLATE AND THE SUPPORTING LEGS.
 SEE MANUAL FOR ADDITIONAL INFORMATION



TITLE: 3PH DISTRIBUTION TRANSFORMER
 ENCLOSURE BOTTOM VIEW

3	21/07/16	PP	EDB UPDATE	DES: JWEN
2	20/03/17	PP	SEISMIC UPDATE	DATE: 15/11/09
NO.	DATE	BY	REVISION	SCALE: NTS

SHEET 3 OF 3

EDBSC3A0112DB

3.0 Wed 20/07/16 13:13