



**Hammond Power Solutions Inc.**

TITLE: 3PH DISTRIBUTION TRANSFORMER  
NAMEPLATE INFORMATION

3	21/07/16	PP	EDB UPDATE	DES: RMOVVA
2	20/03/17	PP	SEISMIC UPDATE	DATE: 16/08/26
NO.	DATE	BY	REVISION	SCALE: NTS

SHEET 1 OF 3

EDBSC3A0150DBOC

3.0 Jwen 2021/07/16 13:18

**Hammond Power Solutions**  
Guelph, ONT Compton, CA

**HPS Sentinel™ G**  
Energy Efficient Distribution Transformer  
Transformateur de Distribution à Bon Rendement Énergétique

LR 3902  
DRY TYPE TRANSFORMER 77US E112313  
ALSO REFER TO ENERGY STANDARDS CRO22-18 BY UNDERWRITERS LABORATORIES INC. @ 316

8 03423 112760 2

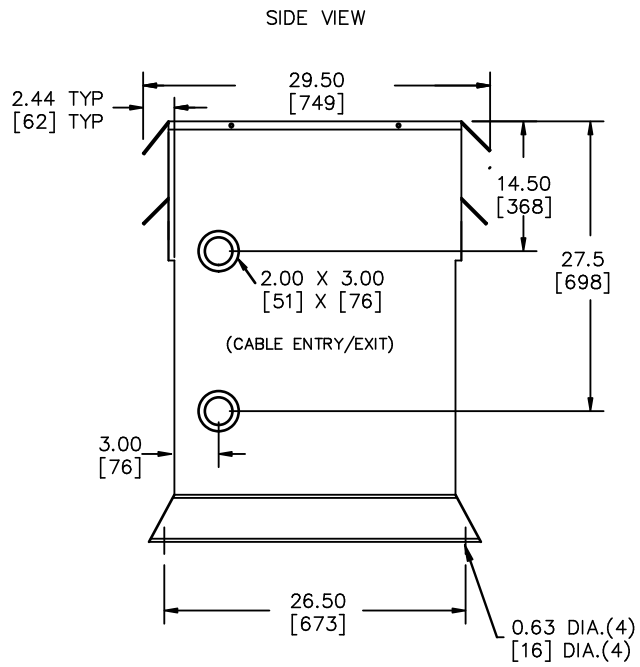
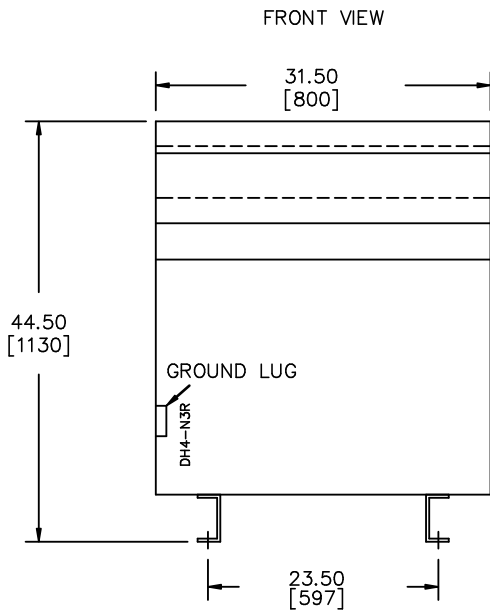
Part No. **SG3A0150DBOC**

Cust. Ref.	Serial No.	240V	
Ref. du Client	No. de Serie	240V	
Phase	HV/HT	10 kV	
Type	BIL	H1 H2 H3	
Cooling	Term Bornes	208Y/120V	
Refroidissement	LV/BT	10 kV	
kVA	BIL	Term Bornes	
Temp. Rise	220 °C	DOE 10 CFR PART 431:2016	
Echauffement	CU	CEE ACT SOR/2018-201	
Temp Class	60		
Classe Temp	5.4		
Winding	3R		
Enroulement	1050/477		
Frequency			
Fréquence Hz			
Impedance %			
@ 170 °C			
Encl. Type			
Type de Coffrage			
Weight lbs/kg			
Poids			

VOLTS	CURRENT COURANT	% RATED % TENSION NOMINALE	CONNECTION EACH PHASE CONNECTION PAR PHASE
252	344	105	1
246	352	102.5	2
240	361	100	3
234	370	97.5	4
228	380	95	5
222	390	92.5	6
216	401	90	7

SEISMIC QUALIFICATIONS:  
AS FLOOR MOUNT ONLY  
IBC 2018/ASCE 7-16  
SDS<=2.0g Z/h=1 p=1.5

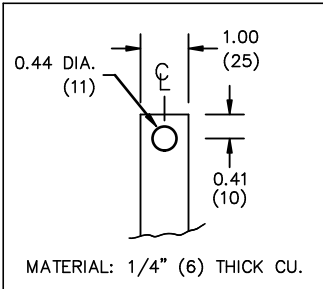
SPACINGS BETWEEN ANY VENTILATED ENCLOSURE PANEL AND ANY ADJACENT WALL SHALL BE A MINIMUM OF 5 INCHES EXCEPT WHEN WALL MOUNTED USING APPROVED WALL MOUNTING KIT



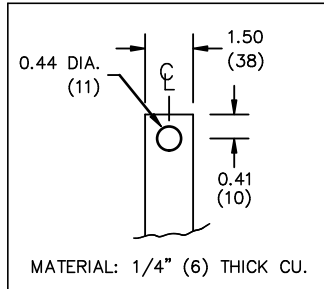
All Dimensions in inches[mm]

ENCLOSURE COLOR :ANSI 61 GREY – OUTDOOR

H.V.1. TERMINAL DETAIL



L.V.1. TERMINAL DETAIL



CUSTOMER NOTES:

- HV1 TERMINATED AT TOP FRONT
- LV1 TERMINATED AT BOTTOM FRONT



TITLE: 3PH DISTRIBUTION TRANSFORMER

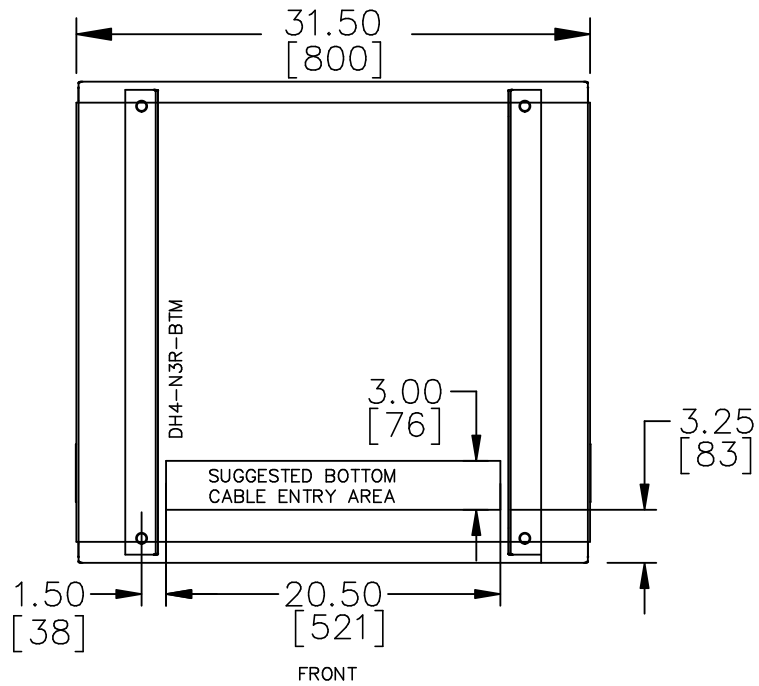
3	21/07/16	PP	EDB UPDATE	DES: RMOVVA
2	20/03/17	PP	SEISMIC UPDATE	DATE: 16/08/26
NO.	DATE	BY	REVISION	SCALE: NTS

SHEET 2 OF 3

EDBSC3A0150DBOC

3.0 Jwen 2021/07/07 16:13:18

ENCLOSURE BOTTOM VIEW



NOTE:  
 WHEN BOTTOM CABLE ENTRY IS OPTED, THE SPACE USED FOR CONDUITS IN THE FRONT OF THE TRANSFORMER SHOULD NOT OBSTRUCT MORE THAN 50% OF THE FRONT AIR INTAKE AREA DEFINED BETWEEN THE BOTTOM PLATE AND THE SUPPORTING LEGS.  
 SEE MANUAL FOR ADDITIONAL INFORMATION



TITLE: 3PH DISTRIBUTION TRANSFORMER  
 ENCLOSURE BOTTOM VIEW

3	21/07/16	PP	EDB UPDATE	DES: RMOVVA
2	20/03/17	PP	SEISMIC UPDATE	DATE: 16/08/26
NO.	DATE	BY	REVISION	SCALE: NTS

SHEET 3 OF 3

EDBSC3A0150DBOC

3.0 Jwen 2021/07/16 13:18