



**Hammond Power Solutions Inc.**


TITLE: 3PH DISTRIBUTION TRANSFORMER  
NAMEPLATE INFORMATION

NO.	DATE	BY	REVISION	CHANGED NPL VER:	DES: RMOVVA
4	22/11/08	RM			
3	21/07/16	PP		EDB UPDATE	DATE: 16/11/14
					SCALE: NTS

SHEET 1 OF 3

EDBSC3A0150KKOC

4.0 rmoova 2022/11/08 12:17






**Hammond Power Solutions**  
Guelph, ONT  
Hyderabad, IN Compton, CA

**HPS Sentinel™ G**  
Energy Efficient Distribution Transformer  
Transformateur de Distribution à Bon Rendement Énergétique

Baraboo, WI  
Monterrey, MX

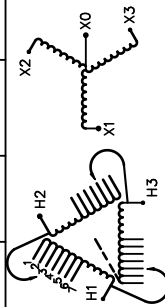
Part No. **SG3A0150KKOC**

 LR 3902  
 LISTED  
 DRY TYPE TRANSFORMER 77US E112313  
 ALSO REFER TO CATALOGUE TO ENERGY STANDARDS CROQ2-18 BY UNDERWRITERS LABORATORIES INC. @ 016

 03423112817 3  
 SERIAL NO. 03423112817 3  
 BY UNDERWRITERS LABORATORIES INC. @ 016

VOLTS	CURRENT COURANT	% RATED % TENSION NOMINALE	CONNECTION EACH PHASE CONNECTION PAR PHASE
504	172	105	1
492	176	102.5	2
480	180	100	3
468	185	97.5	4
456	190	95	5
444	195	92.5	6
432	200	90	7

SPACINGS BETWEEN ANY VENTILATED ENCLOSURE PANEL AND ANY ADJACENT WALL SHALL BE A MINIMUM OF 5 INCHES EXCEPT WHEN WALL MOUNTED USING APPROVED WALL MOUNTING KIT

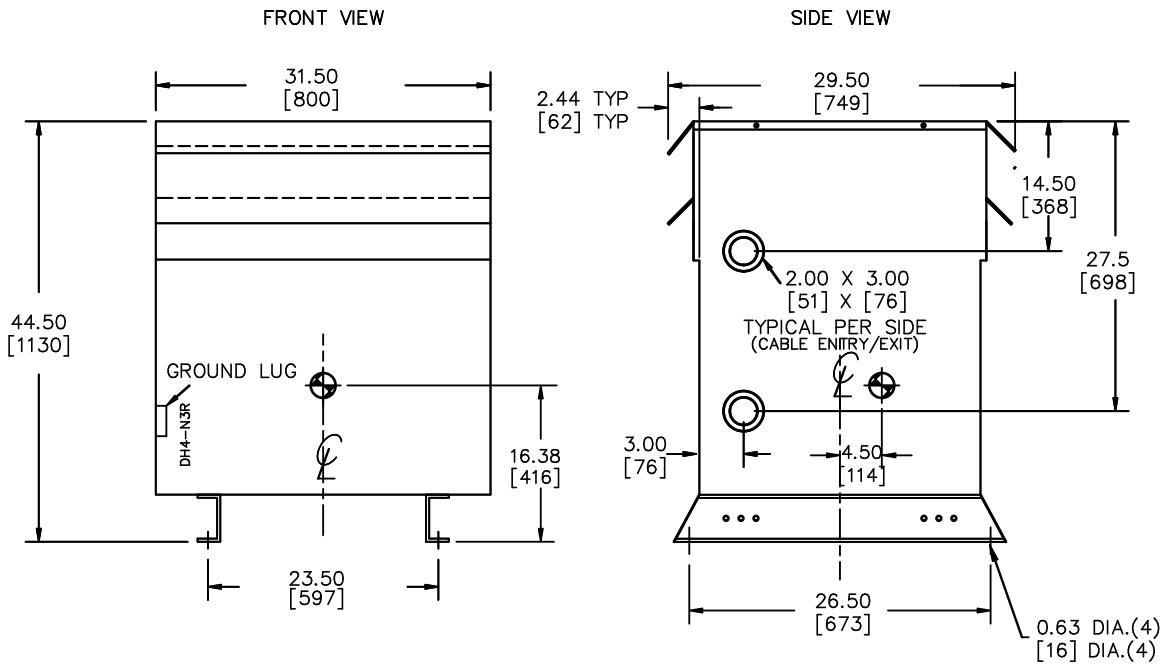


H1, H2, H3  
 X0, X1, X2, X3

SEISMIC QUALIFICATIONS:  
 AS FLOOR MOUNT ONLY  
 IBC 2018/ASCE 7-16  
 SDS<=2.0g Z/h=1 Ip=1.5

Cust. Ref.	Serial No.	
Ref. du Client	No. de Serie	
Phase	HV/HT	480V 180A
Type	BIL	10 kV
Cooling Refrondissement	Term Bornes	H1 H2 H3
kVA	LV/BT	480Y/277V 180A
Temp. Rise Echauffement	BIL	10 kV
Temp Class Classe Temp	Term Bornes	X0 X1 X2 X3
Winding Enroulement	Energy Regulations	DOE 10 CFR PART 431:2016
Frequency Fréquence Hz	Reglements Énergétique	CEE ACT SOR/2018-201
Impedance % @ 170°C		
Encl. Type Type de Coffrage		
Weight lbs/kg Poids		955/434

d000186hb



All Dimensions in inches[mm]

ENCLOSURE COLOR :ANSI 61 GREY – OUTDOOR

HV TERMINAL DETAIL

LV TERMINAL DETAIL

MECHANICAL TYPE LUGS INCLUDED  
SUITABLE FOR 350MCM-6 CU/AL  
CONDUCTORS  
1 CONDUCTOR PER PHASE

MECHANICAL TYPE LUGS INCLUDED  
SUITABLE FOR 350MCM-6 CU/AL  
CONDUCTORS  
1 CONDUCTOR PER PHASE

CUSTOMER NOTES:

- HV TERMINATED AT TOP FRONT
- LV TERMINATED AT BOTTOM FRONT



TITLE: 3PH DISTRIBUTION TRANSFORMER

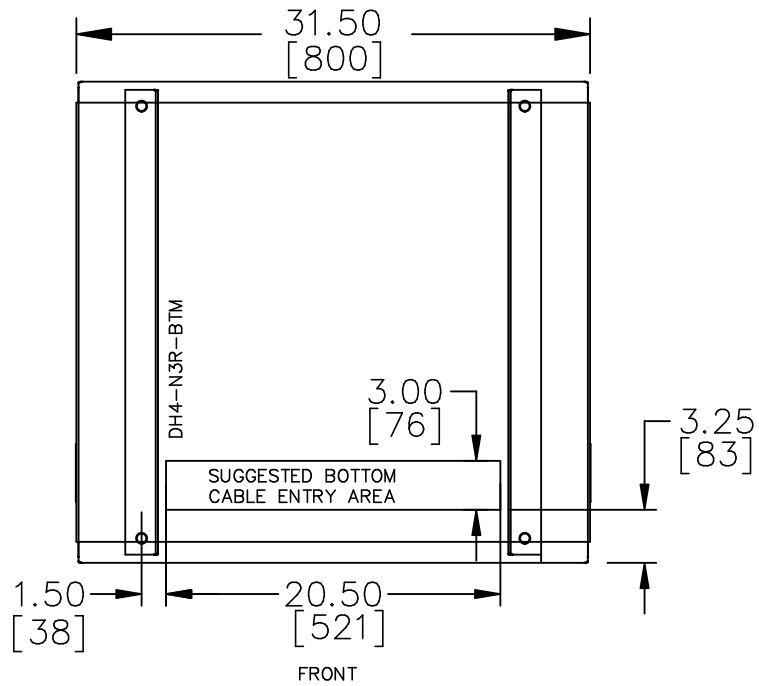
4	22/11/08	RM	CHANGED NPL VER:	DES: RMOVVA
3	21/07/16	PP	EDB UPDATE	DATE: 16/11/14
NO.	DATE	BY	REVISION	SCALE: NTS

SHEET 2 OF 3

EDBSC3A0150KK0C

4.0 rmovva 2022/11/08 12:17

ENCLOSURE BOTTOM VIEW



NOTE:  
 WHEN BOTTOM CABLE ENTRY IS OPTED, THE SPACE USED FOR CONDUITS IN THE FRONT OF THE TRANSFORMER SHOULD NOT OBSTRUCT MORE THAN 50% OF THE FRONT AIR INTAKE AREA DEFINED BETWEEN THE BOTTOM PLATE AND THE SUPPORTING LEGS.  
 SEE MANUAL FOR ADDITIONAL INFORMATION



TITLE: 3PH DISTRIBUTION TRANSFORMER  
 ENCLOSURE BOTTOM VIEW

4	22/11/08	RM	CHANGED NPL VER:	DES: RMOVVA
3	21/07/16	PP	EDB UPDATE	DATE: 16/11/14
NO.	DATE	BY	REVISION	SCALE: NTS

SHEET 3 OF 3

EDBSG3A0150KK0C