



Hammond Power Solutions Inc.


TITLE: 3PH DISTRIBUTION TRANSFORMER
NAMEPLATE INFORMATION

| | | | | |
|-----|----------|----|------------|---------------|
| 1 | 21/07/16 | PP | EDB UPDATE | DES: PPICASSI |
| NO. | DATE | BY | REVISION | SCALE: NTS |

SHEET 1 OF 3

EDBSC3A0300BB

1.0_jwen 2021/07/16 13:26



Hammond Power Solutions
Guelph, ONT Compton, CA

Energy Efficient Distribution Transformer
Transformateur de Distribution à Bon Rendement Énergétique

Baraboo, WI Monterrey, MX


Part No. **SG3A0300BB**

HPS Sentinel™ G

LR 3902

DRY TYPE TRANSFORMER 77US E112313

ALSO REFER TO ENERGY STANDARDS CODES BY UNDERWRITERS LABORATORIES INC. @ 016

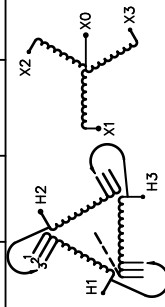


8 03423 1727 3

LISTED

SPACINGS BETWEEN ANY VENTILATED ENCLOSURE PANEL AND ANY ADJACENT WALL SHALL BE A MINIMUM OF 5 INCHES EXCEPT WHEN WALL MOUNTED USING APPROVED WALL MOUNTING KIT

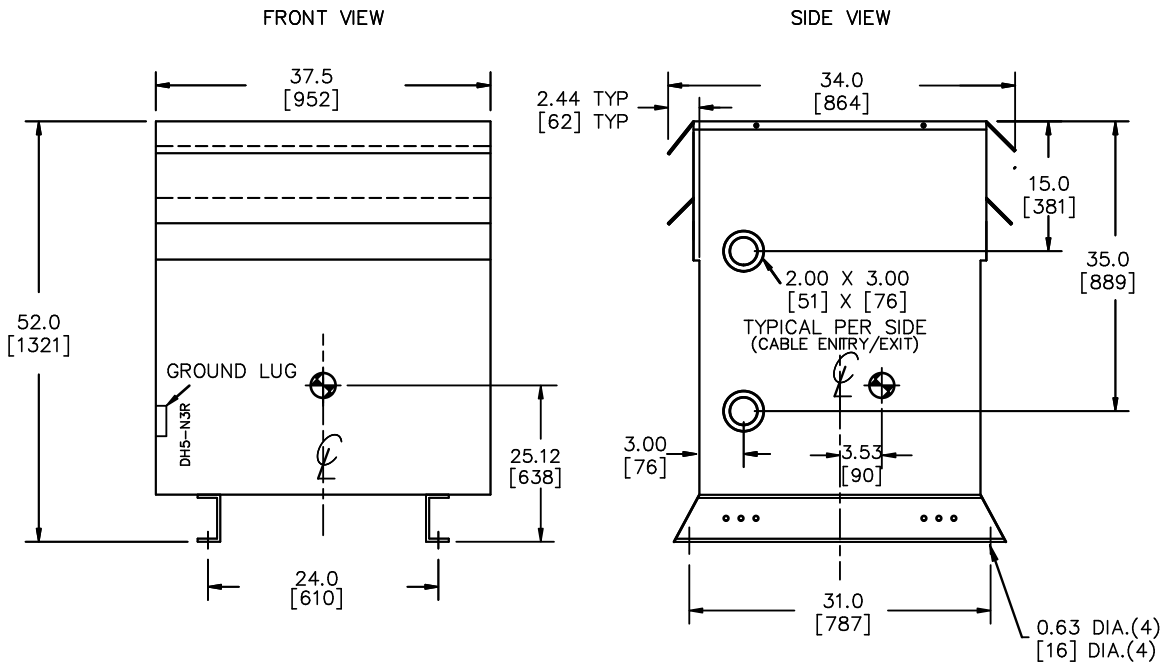
| VOLTS | CURRENT COURANT | % RATED VOLTAGE % TENSION NOMINALE | CONNECTION EACH PHASE CONNECTION PAR PHASE |
|-------|--------------------|---|---|
| 218 | 793 | 105 | 1 |
| 208 | 833 | 100 | 2 |
| 198 | 877 | 95 | 3 |



SEISMIC QUALIFICATIONS:
AS FLOOR MOUNT ONLY
IBC 2018/ASCE 7-16
SDS<=2.0g Z/h=0 Ip=1.5

| | | | |
|--------------------------------|----------------------------|--------------------------|----------|
| Cust. Ref. Ref. du Client | Serial No. No. de Serie | 208V | 833A |
| Phase | HV/HT | 10 kV | |
| Type | BIL | H1 H2 H3 | |
| Cooling Refroidissement | Term Bornes | 208Y/120V | 833A |
| kVA | LV/BT | 10 kV | |
| Temp. Rise Échauffement | BIL | X0 X1 X2 X3 | |
| Temp Class Classe Temp | Term Bornes | DOE 10 CFR PART 431:2016 | |
| Winding Enroulement | Energy Regulations | CEE ACT SOR/2018-201 | |
| Frequency Fréquence Hz | Reglements Énergétique | | |
| Impedance % @ 170 °C | | | |
| Encl. Type Type de Coffrage | | | |
| Weight lbs/kg Poids | | | 2100/953 |

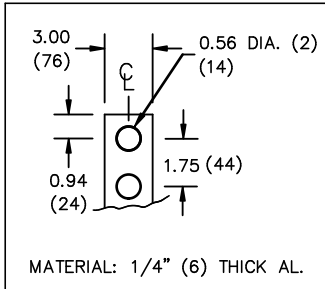
d000186hb



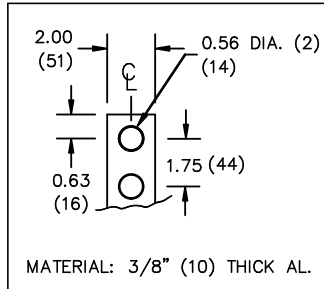
All Dimensions in inches[mm]

ENCLOSURE COLOR :ANSI 61 GREY – OUTDOOR

HV TERMINAL DETAIL



LV TERMINAL DETAIL



CUSTOMER NOTES:

- HV TERMINATED AT TOP FRONT
- LV TERMINATED AT BOTTOM FRONT



TITLE: 3PH DISTRIBUTION TRANSFORMER

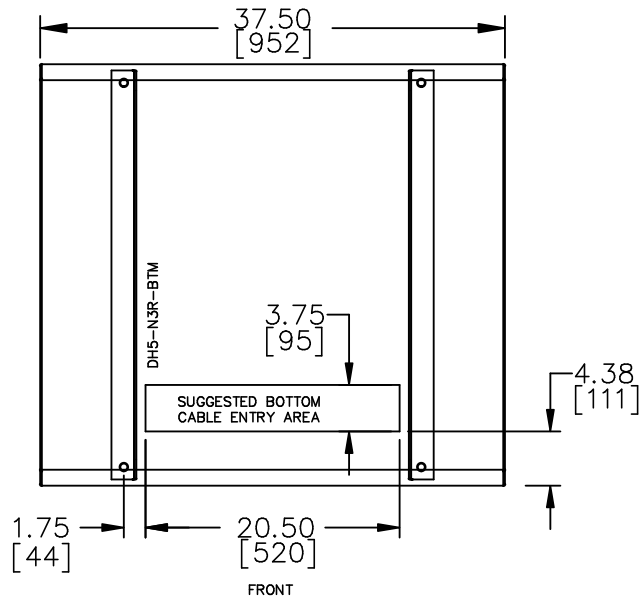
| | | | | |
|-----|----------|----|------------|---------------|
| 1 | 21/07/16 | PP | EDB UPDATE | DES: PPICASSI |
| NO. | DATE | BY | REVISION | SCALE: NTS |

SHEET 2 OF 3

EDBSC3A0300BB

1.0 .jwn 2021/07/16 13:26

ENCLOSURE BOTTOM VIEW



NOTE:
 WHEN BOTTOM CABLE ENTRY IS OPTED, THE SPACE USED FOR CONDUITS IN THE FRONT OF THE TRANSFORMER SHOULD NOT OBSTRUCT MORE THAN 50% OF THE FRONT AIR INTAKE AREA DEFINED BETWEEN THE BOTTOM PLATE AND THE SUPPORTING LEGS.
 SEE MANUAL FOR ADDITIONAL INFORMATION



TITLE: 3PH DISTRIBUTION TRANSFORMER
 ENCLOSURE BOTTOM VIEW

| | | | | |
|-----|----------|----|------------|----------------|
| 1 | 21/07/16 | PP | EDB UPDATE | DES: PPLICASSI |
| NO. | DATE | BY | REVISION | SCALE: NTS |

SHEET 3 OF 3

EDBSC3A0300BB

1.0 Jun 2021/07/16 13:26