



**Hammond Power Solutions Inc.**

TITLE: 3PH DISTRIBUTION TRANSFORMER  
NAMEPLATE INFORMATION

3	21/07/16	PP	EDB UPDATE	DES: JWEN
2	20/03/17	PP	SEISMIC UPDATE	DATE: 15/11/09
NO.	DATE	BY	REVISION	SCALE: NTS

SHEET 1 OF 3

EDBSC3A0300KB

3.0 Jwen 2021/07/16 13:27

**Hammond Power Solutions**  
Guelph, ONT Compton, CA

**Baraboo, WI**  
Monterrey, MX

**Energy Efficient Distribution Transformer**  
Transformateur de Distribution à Bon Rendement Énergétique

**HPS Sentinel™ G**  
Part No. SG3A0300KB

LR 3902  
DRY TYPE TRANSFORMER 77US E112313

03423172376

ALSO REFER TO ENERGY STANDARDS CSD2-18 BY UNDERWRITERS LABORATORIES INC. @ 316

**LISTED**

SPACINGS BETWEEN ANY VENTILATED ENCLOSURE PANEL AND ANY ADJACENT WALL SHALL BE A MINIMUM OF 5 INCHES EXCEPT WHEN WALL MOUNTED USING APPROVED WALL MOUNTING KIT

VOLTS	CURRENT COURANT	% RATED % TENSION NOMINALE	CONNECTION EACH PHASE CONNECTION PAR PHASE
504	344	105	1
492	352	102.5	2
480	361	100	3
468	370	97.5	4
456	380	95	5
444	390	92.5	6
432	401	90	7

Serial No. [ ]  
No. de Serie [ ]

Phase 3 HV/HT 480V 361A

Type K BIL 10 kV

Cooling Refroidissement ANN Term Bornes H1 H2 H3

kVA 300 LV/BT 208Y/120V 833A

Temp. Rise Echauffement 150 °C BIL 10 kV

Temp Class Classe Temp 220 °C Term Bornes X0 X1 X2 X3

Winding Enroulement AL Energy Regulations DOE 10 CFR PART 431:2016

Frequency Fréquence Hz 60 CEE ACT SOR/2018-201

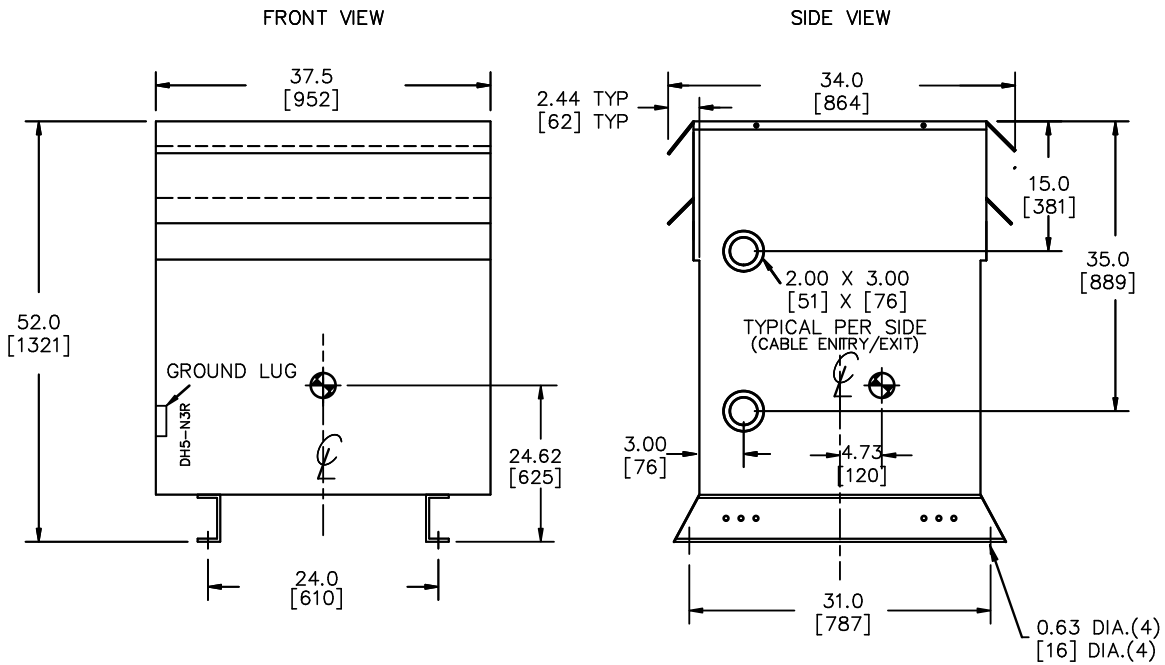
Impedance % @ 170 °C 4.7

Encl. Type Type de Coffrage 3R

Weight Poids lbs/kg 1850/840

SEISMIC QUALIFICATIONS:  
AS FLOOR MOUNT ONLY  
IBC 2018/ASCE 7-16  
SDS<=2.0g Z/h=0 Ip=1.5

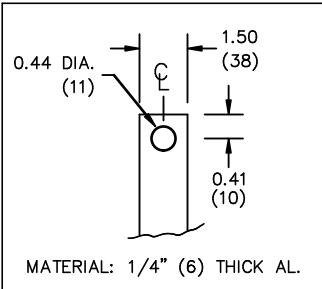
d000186hb



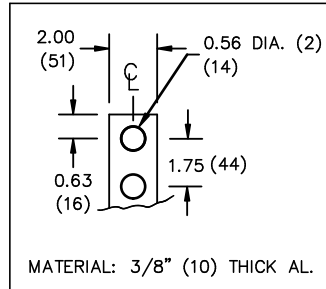
All Dimensions in inches[mm]

ENCLOSURE COLOR :ANSI 61 GREY – OUTDOOR

HV TERMINAL DETAIL



LV TERMINAL DETAIL



CUSTOMER NOTES:

- HV TERMINATED AT TOP FRONT
- LV TERMINATED AT BOTTOM FRONT



TITLE: 3PH DISTRIBUTION TRANSFORMER

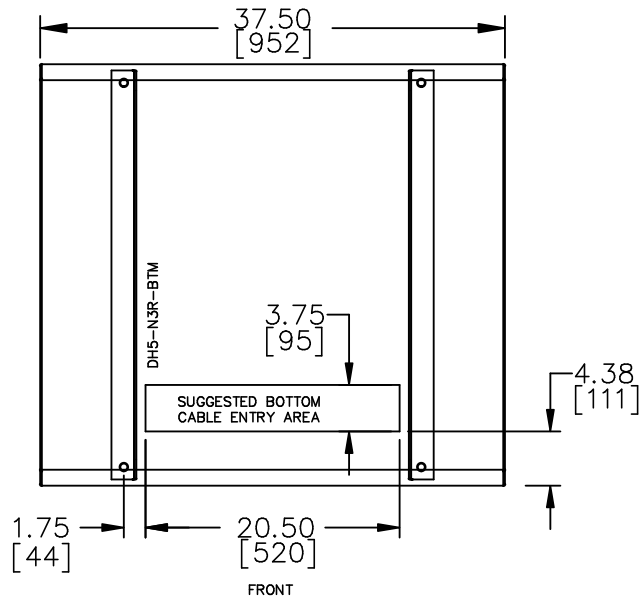
3	21/07/16	PP	EDB UPDATE	DES: JWEN
2	20/03/17	PP	SEISMIC UPDATE	DATE: 15/11/09
NO.	DATE	BY	REVISION	SCALE: NTS

SHEET 2 OF 3

EDBSC3A0300KB

3.0 Jwen 2021/07/16 13:27

ENCLOSURE BOTTOM VIEW



NOTE:  
 WHEN BOTTOM CABLE ENTRY IS OPTED, THE SPACE USED FOR CONDUITS IN THE FRONT OF THE TRANSFORMER SHOULD NOT OBSTRUCT MORE THAN 50% OF THE FRONT AIR INTAKE AREA DEFINED BETWEEN THE BOTTOM PLATE AND THE SUPPORTING LEGS.  
 SEE MANUAL FOR ADDITIONAL INFORMATION



TITLE: 3PH DISTRIBUTION TRANSFORMER  
 ENCLOSURE BOTTOM VIEW

3	21/07/16	PP	EDB UPDATE	DES: JWEN
2	20/03/17	PP	SEISMIC UPDATE	DATE: 15/11/09
NO.	DATE	BY	REVISION	SCALE: NTS

SHEET 3 OF 3

EDBSC3A0300KB

3.0 jwen 2021/07/07/16 13:27