



**Hammond Power Solutions Inc.**


TITLE: 3PH DISTRIBUTION TRANSFORMER  
NAMEPLATE INFORMATION

3	21/07/16	PP	EDB UPDATE	DES: MABDELAT
2	20/03/17	PP	SEISMIC UPDATE	DATE: 16/03/29
NO.	DATE	BY	REVISION	SCALE: NTS

SHEET 1 OF 3

EDBSC3A0750BK

3.1 cshoh 2022/03/28 09:55



**Hammond Power Solutions**  
Guelph, ONT  
Hyderabad, IN Compton, CA

**HPS Sentinel™ G**  
Energy Efficient Distribution Transformer  
Transformateur de Distribution à Bon Rendement Énergétique

Baraboo, WI  
Monterrey, MX

Part No. **SG3A0750BK**

Serial No. [ ]  
No. de Serie [ ]

Phase 3 HV/HT 480Y/277V 902A

Type K BIL 10 kV

Cooling Refroidissement ANN Term Bornes H0 H1 H2 H3

kVA 750 LV/BT 208V 2082A

Temp. Rise Echauffement 150 °C BIL 10 kV

Temp Class Classe Temp 220 °C Term Bornes X1 X2 X3

Winding Enroulement AL Energy Regulations DOE 10 CFR PART 431:2016

Frequency Fréquence Hz 60 CEE ACT SOR/2018-201

Impedance % @ 170 °C 5.4

Encl. Type Type de Coffrage 3R

Weight Poids lbs/kg 4990/2264

Hammond Power Solutions is also verified in accordance with the IEC 60076-1 standard for energy efficiency by Underwriters Laboratories Inc. @ 01/16

DRY TYPE TRANSFORMER  
77US  
E112313

UL LISTED

LR 3902

SPACINGS BETWEEN ANY VENTILATED ENCLOSURE PANEL AND ANY ADJACENT WALL SHALL BE A MINIMUM OF 12 INCHES

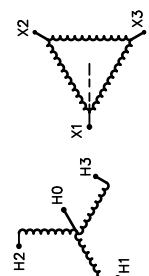
TRANSFORMER SUITABLE FOR STEP UP OPERATION ONLY

CONNECTION EACH PHASE  
CONNECTION PAR PHASE

% RATED VOLTAGE  
% TENSION NOMINALE

CURRENT COURANT

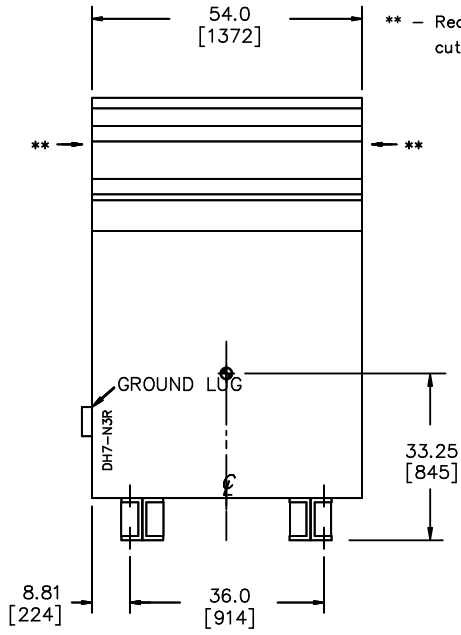
VOLTS



SEISMIC QUALIFICATIONS:  
AS FLOOR MOUNT ONLY  
IBC 2018/ASCE 7-16  
SDS<=2.0g Z/h=0 Ip=1.5

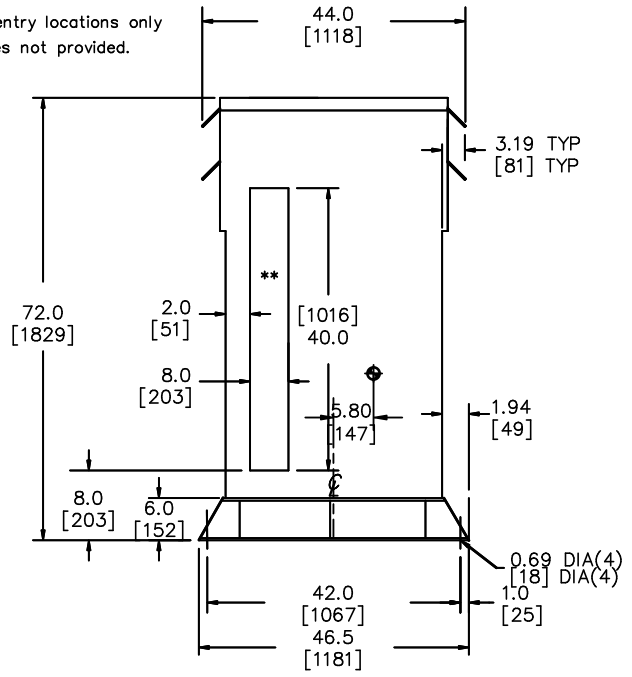
d000186hb

FRONT VIEW



\*\* - Recommended cable entry locations only cutouts & gland plates not provided.

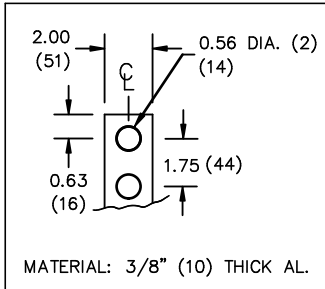
SIDE VIEW



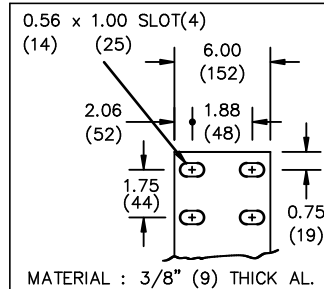
All Dimensions in inches[mm]

ENCLOSURE COLOR : ANSI 61 GREY - OUTDOOR

HV TERMINAL DETAIL



LV TERMINAL DETAIL



CUSTOMER NOTES:

- HV TERMINATED AT BOTTOM FRONT
- LV TERMINATED AT TOP FRONT



TITLE: 3PH DISTRIBUTION TRANSFORMER

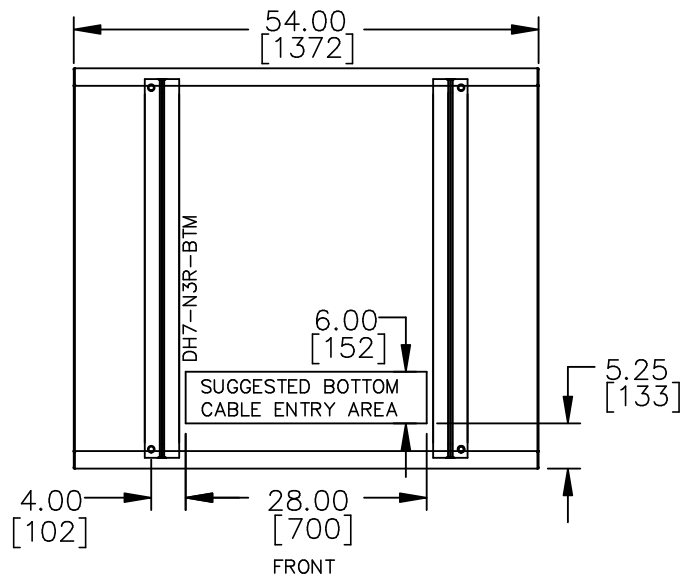
3	21/07/16	PP	EDB UPDATE	DES: MABDELAT
2	20/03/17	PP	SEISMIC UPDATE	DATE: 16/03/29
NO.	DATE	BY	REVISION	SCALE: NTS

SHEET 2 OF 3

EDBSC3A0750BK

3.1 cshoh 2022/03/28 09:55

ENCLOSURE BOTTOM VIEW



NOTE:  
 WHEN BOTTOM CABLE ENTRY IS OPTED, THE SPACE USED FOR CONDUITS IN THE FRONT OF THE TRANSFORMER SHOULD NOT OBSTRUCT MORE THAN 50% OF THE FRONT AIR INTAKE AREA DEFINED BETWEEN THE BOTTOM PLATE AND THE SUPPORTING LEGS.  
 SEE MANUAL FOR ADDITIONAL INFORMATION



TITLE: 3PH DISTRIBUTION TRANSFORMER  
 ENCLOSURE BOTTOM VIEW

3	21/07/16	PP	EDB UPDATE	DES: MABDELAT
2	20/03/17	PP	SEISMIC UPDATE	DATE: 16/03/29
NO.	DATE	BY	REVISION	SCALE: NTS

SHEET 3 OF 3

EDBSC3A0750BK