



Hammond Power Solutions Inc.


TITLE: 3PH DISTRIBUTION TRANSFORMER
NAMEPLATE INFORMATION

3	21/07/16	PP	EDB UPDATE	DES: JWEN
2	20/03/17	PP	SEISMIC UPDATE	DATE: 15/11/09
NO.	DATE	BY	REVISION	SCALE: NTS

SHEET 1 OF 3

EDBSC3A0750KB

3.0 Jwen 2021/07/16 13:32



Hammond Power Solutions
Guelph, ONT Compton, CA

HPS Sentinel™ G
Energy Efficient Distribution Transformer
Transformateur de Distribution à Bon Rendement Énergétique

LR 3902
DRY TYPE TRANSFORMER 77US E112313
ALSO REFER TO ENERGY STANDARDS C902-18 BY UNDERWRITERS LABORATORIES INC. @ 316

Part No. **SG3A0750KB**

Cust. Ref. []
Ref. du Client []

Phase 3 HV/HT

Type K BIL

Cooling Refroidissement ANN Term Bornes

kVA 750 LV/BT 208Y/120V 2082A

Temp. Rise Echauffement 150 °C

Temp Class Classe Temp 220 °C

Winding Enroulement AL Energy Regulations

Frequency Fréquence Hz 60 Règlements de l'Énergétique

Impedance % @ 170 °C 6.1

Encl. Type Type de Coffrage 3R

Weight Poids lbs/kg 4150/1883

Serial No. []
No. de Serie []

480V 902A

10 kV

H1 H2 H3

208Y/120V 2082A

10 kV

X0 X1 X2 X3

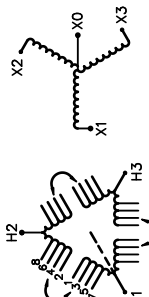
DOE 10 CFR PART 431:2016

CEE ACT SOR/2018-201

LISTED

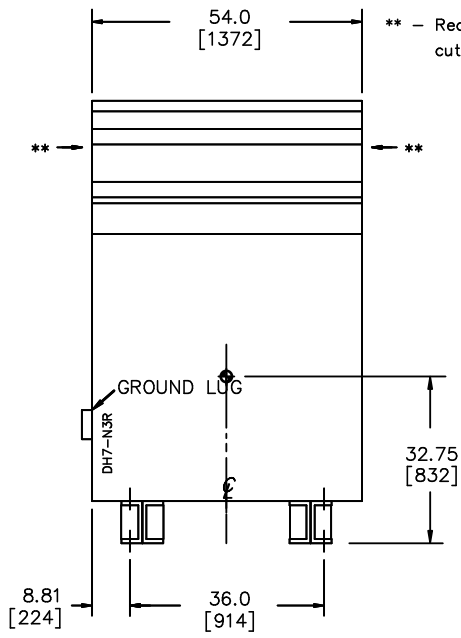
SPACINGS BETWEEN ANY VENTILATED ENCLOSURE PANEL AND ANY ADJACENT WALL SHALL BE A MINIMUM OF 12 INCHES

VOLTS	CURRENT COURANT	% RATED VOLTAGE % TENSION NOMINALE	CONNECTION EACH PHASE CONNECTION PAR PHASE
504	859	105	1-2
492	880	102.5	2-3
480	902	100	3-4
468	925	97.5	4-5
456	950	95	5-6
444	975	92.5	6-7
432	1002	90	7-8

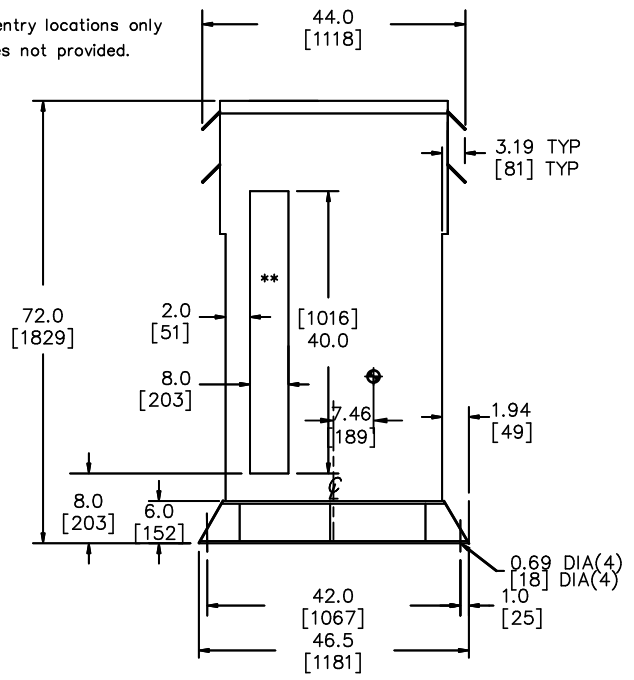


SEISMIC QUALIFICATIONS:
AS FLOOR MOUNT ONLY
IBC 2018/ASCE 7-16
SDS<=2.0g Z/h=0 Ip=1.5

FRONT VIEW



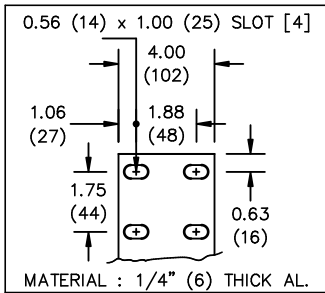
SIDE VIEW



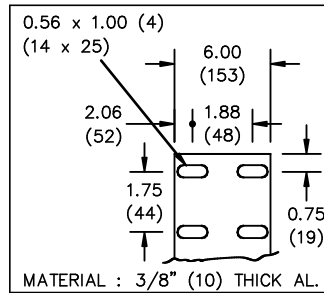
All Dimensions in inches[mm]

ENCLOSURE COLOR : ANSI 61 GREY - OUTDOOR

HV TERMINAL DETAIL



LV TERMINAL DETAIL



CUSTOMER NOTES:

- HV TERMINATED AT TOP FRONT
- LV TERMINATED AT BOTTOM FRONT



TITLE: 3PH DISTRIBUTION TRANSFORMER

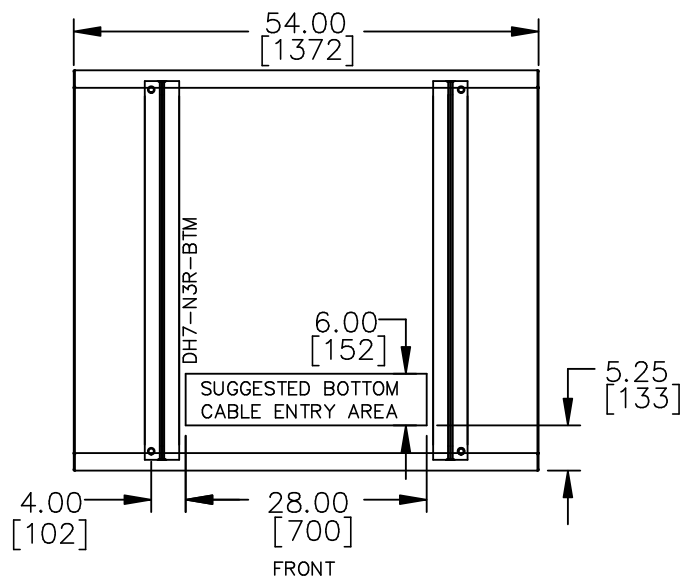
3	21/07/16	PP	EDB UPDATE	DES: JWEN
2	20/03/17	PP	SEISMIC UPDATE	DATE: 15/11/09
NO.	DATE	BY	REVISION	SCALE: NTS

SHEET 2 OF 3

EDBSC3A0750KB

3.0 jwen 2021/07/16 13:32

ENCLOSURE BOTTOM VIEW



NOTE:
 WHEN BOTTOM CABLE ENTRY IS OPTED, THE SPACE USED FOR CONDUITS IN THE FRONT OF THE TRANSFORMER SHOULD NOT OBSTRUCT MORE THAN 50% OF THE FRONT AIR INTAKE AREA DEFINED BETWEEN THE BOTTOM PLATE AND THE SUPPORTING LEGS.
 SEE MANUAL FOR ADDITIONAL INFORMATION



TITLE: 3PH DISTRIBUTION TRANSFORMER
 ENCLOSURE BOTTOM VIEW

3	21/07/16	PP	EDB UPDATE	DES: JWEN
2	20/03/17	PP	SEISMIC UPDATE	DATE: 15/11/09
NO.	DATE	BY	REVISION	SCALE: NTS

SHEET 3 OF 3

EDBSC3A0750KB