

ALUMINUM

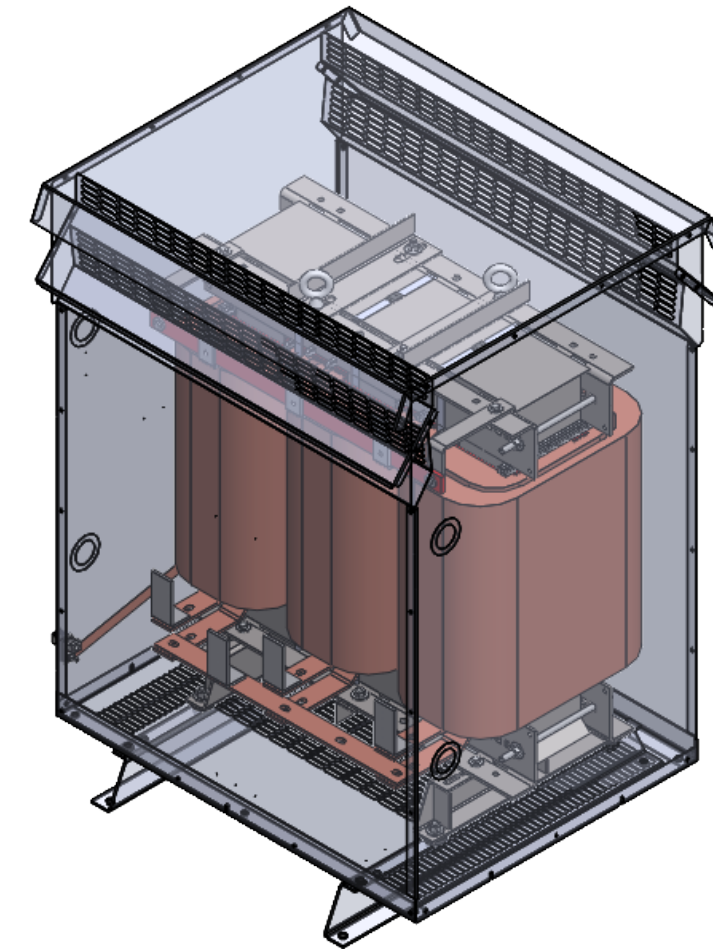
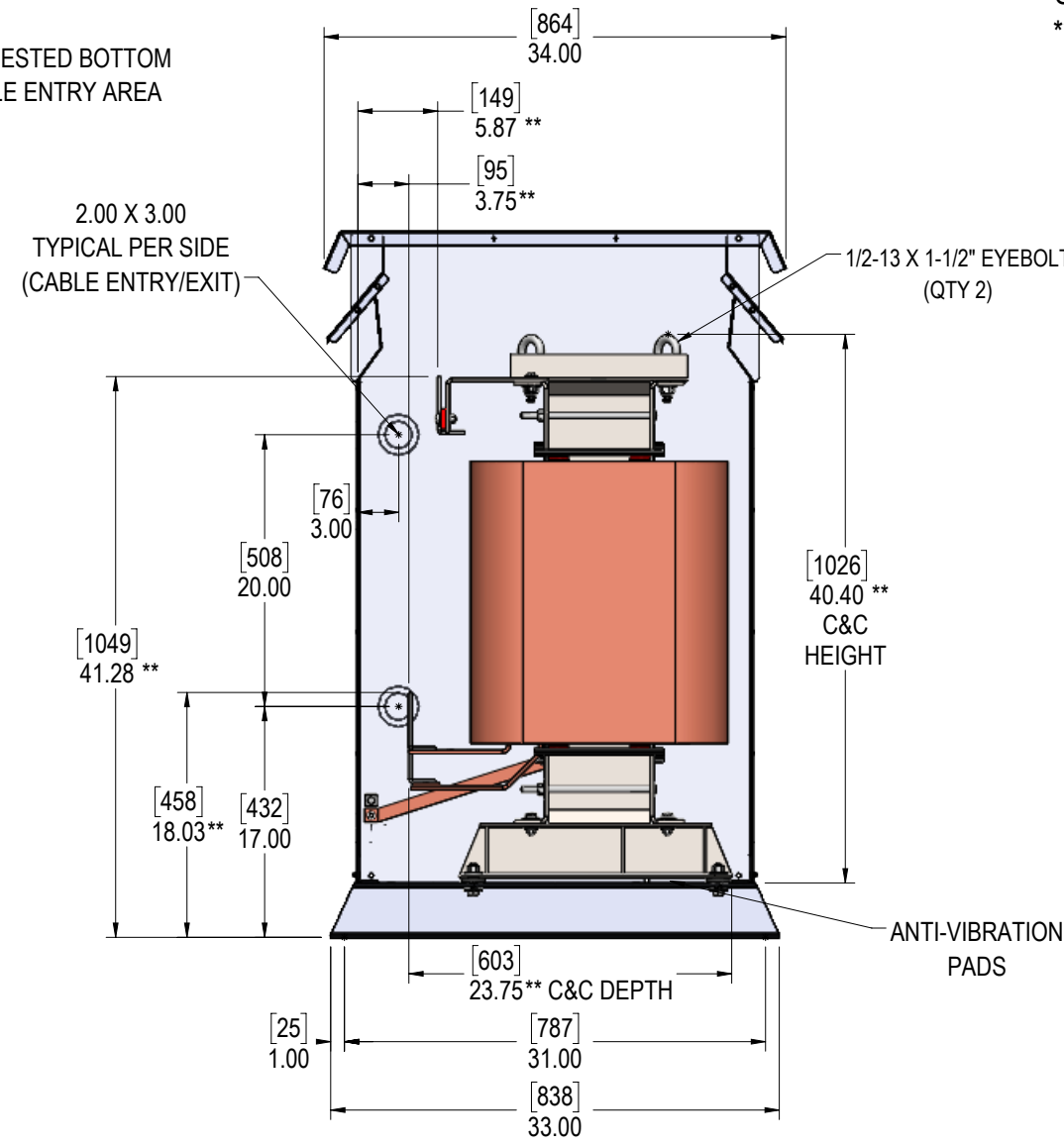
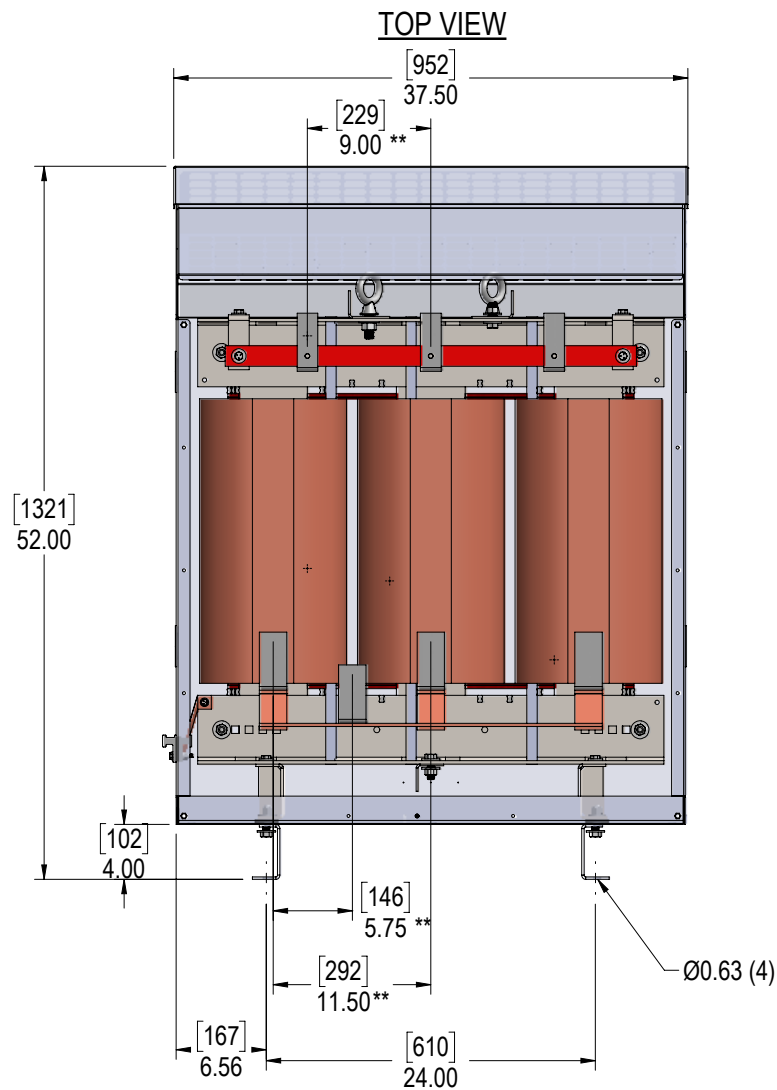
KVA	TEMP RISE-150C	TEMP RISE-115C	TEMP RISE-80C
225	√	√	√
300	√	√	SEE DH6

COPPER

KVA	TEMP RISE-150C	TEMP RISE-115C	TEMP RISE-80C
225	SEE DH4	SEE DH4	√
300	√	√	√

NOTES:

- CATALOGUE INFO TAKES PRECEDENCE OVER THIS DRAWING
- NOT APPLICABLE TO Y(430, 416, 400, 380) VOLTAGE CODE
- DRAWING SHOWS DELTA-WYE CONNECTION
- DATA SUBJECT TO CHANGE WITHOUT NOTICE
- THIS DRAWING IS FOR REFERENCE ONLY. THE ACTUAL UNIT WILL BE SIMILAR, INTERNAL DIMENSIONS OF CORE & COIL COULD VARY
- ONLY LIFT BY PROVIDED PROVISIONS (SEE INSTALLATION MANUAL)
- TERMINALS SHOWN ARE FOR REPRESENTATION ONLY
- PRIMARY TERMINATED AT TOP FRONT
- SECONDARY TERMINATED AT BOTTOM FRONT
- TAPS (IF ANY) LOCATED ON COIL FACE AT FRONT
- GROUND: MECH TYPE LUGS INCLUDED, SUITABLE FOR 250MCM - 6 AWG CU/AL CONDUCTORS (QTY 2)
- SEE CATALOGUE TO DETERMINE EXACT PAD/LUG PROVIDED
- ** DIMENSIONS THAT CHANGE BASED ON TRANSFORMER SPECIFICATIONS



FRONT VIEW

RIGHT SIDE VIEW

ISOMETRIC VIEW

TOLERANCES
(UNLESS OTHERWISE SPECIFIED)

STANDARD	CUSTOMER TERMINAL DETAILS
.X ± 0.5 [13]	.XX ± 0.06 [1.6]
.XX ± 0.25 [6]	
.XXX ± 0.125 [3]	

ALL DIMENSIONS IN INCHES
MM IN BRACKETS

CAD GENERATED DRAWING DO NOT MANUALLY UPDATE

REV.NO.	REVISION	DATE



DES'D BY:	AA
DATE:	2020-04-02
CHK'D BY:	--
DATE:	--
APP'D BY:	AA
DATE:	2020-04-02

TITLE:

**SENTINEL-G 3PH TRANSFORMER
DH5-N3R REFERENCE DRAWING**

DWG.NO.

B DH5-N3R

SHEET 1 OF 1 REV 0

B DH5-N3R

THIS DRAWING CONTAINS PROPRIETARY INFORMATION BELONGING TO HAMMOND POWER SOLUTIONS INC., AND IS NOT FOR GENERAL DISTRIBUTION

CONFIDENTIAL