


ALL DIMENSIONS ARE IN INCHES
 * TOLERANCES STD. + / - 0.1 INCHES [+ / - 3 MM]

* OPTIONAL FUSEBLOCK ADAPTER KIT (P/N SPFBK1) WILL ADD 0.38"[9.65] TO THE HEIGHT

* OPTIONAL PRIMARY AND SECONDARY FINGERGUARDS (P/N SPFG1) WILL ADD 0.19"[4.9] TO THE HEIGHT AND 0.38"[9.65] TO THE DEPTH



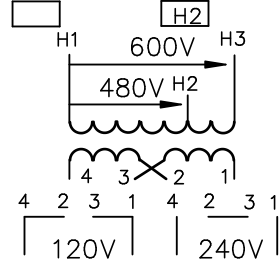
Hammond Power Solutions Inc.

HPS SPARTAN
INDUSTRIAL CONTROL TRANSFORMER


250 VA
60 Hz
80 °C RISE

160 VA

npl400c



CAT.NO.
SP250ACP



LR3902
TYPE PH

LISTED
252L
E50394
130-9
TYPE 3AH

[X4]
[X2]
[X3]
[X1] MADE IN CHINA

NOTES:



TITLE: SPARTAN 1 PHASE CONTROL TRANSFORMER

				DES: WWONG
				DATE: 09/10/19
NO.	DATE	BY	REVISION	SCALE: NTS

SHEET 1 OF 1

EDBSP250ACP

0.0 wong 2009/12/21 16:10