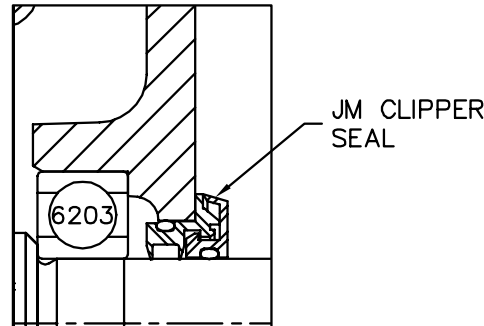


FRONT END DETAIL



PULLEY END DETAIL

CUSTOMER IS RESPONSIBLE FOR DETERMINING THAT BALDOR'S PRODUCT WILL PERFORM SUITABLY IN THE INTENDED APPLICATION.

REV. DESC: CHANGE INT. FAN SHOVE TO .562"

REV. LTR: C

VERSION: 03

TDR: 000001050436

FILE: \AAA\00226\378

REVISED: 04:19:51 11/08/2017

BY: USGRHUR

MTL: -



BALDOR

STD HORZ NEMA 56 TEFC 34M DDP (S/P032-002-002)

SH 1 of 1