

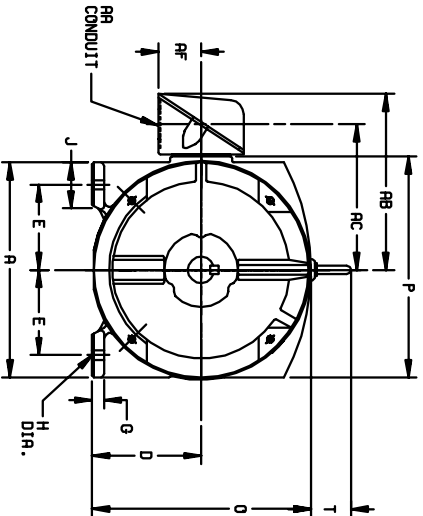
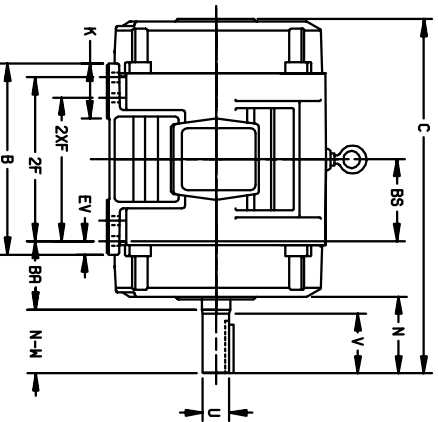
# DUTY MASTER ALTERNATING CURRENT MOTORS

SQUIRREL-CAGE INDUCTION

ENCLOSURE: PROTECTED  
MOUNTING: FOOT

FRAMES 250T THRU 440T

COOLING: SELF-VENTILATED



DIMENSIONS ARE IN INCHES

FRAME	A	D(2)	E	G	H	J	K	O	P	T	STEEL TERMINAL BOX					
											AA	AB	AC	AF	BA	EV
254T-256T	12.50	6.25	5.00	.89	.56	2.25	3.50	12.61	12.69	2.44	1-1/4	10.19	8.19	2.50	4.25	.62
284T-286TS	14.00	7.00	5.50	.75	.56	2.75	3.75	14.12	14.31	2.44	1-1/2	12.19	9.44	3.19	4.75	1.00
324T-326TS	15.75	8.00	6.25	.88	.69	3.12	4.00	16.10	16.42	2.44	2	14.25	10.75	4.25	5.25	1.00
364T-365TS	17.00	9.00	7.00	.88	.69	3.00	3.62	18.30	19.56	2.94	3	18.06	14.00	5.36	5.88	1.00
404T-405TS	19.00	10.00	8.00	1.12	.81	3.25	4.75	20.56	21.81	2.94	3	19.06	15.00	4.38	6.62	1.12
444T-445TS	21.00	11.00	9.00	1.12	.81	3.25	5.25	22.91	23.62	3.25	3	22.62	17.38	5.50	7.50	1.25

FRAME SIZE	C	BS	B	2F	2XF	N	SHAFT AND KEY		WEIGHT (LBS. (5))			
							N-(W(6))	U(3)		V	SQ.	LGTH.
254T	22.44	5.00	11.25	---	8.25	4.25	4.00	1.625	3.75	.375	2.75	2.65
256T	22.44	5.00	11.25	10.00	---	4.25	4.00	1.625	3.75	.375	2.75	2.75
284T	24.94	5.50	13.00	---	9.50	4.88	4.62	1.875	4.38	.500	3.25	3.40
286TS	23.96	5.50	13.00	---	9.50	3.50	3.25	1.625	3.00	.375	1.88	3.40
286T	23.94	5.50	13.00	11.00	---	4.88	4.62	1.875	4.38	.500	3.25	3.70
286TS	23.96	5.50	13.00	11.00	---	3.50	3.25	1.625	3.00	.375	1.88	3.70
324T	27.56	6.00	14.00	---	10.50	5.50	5.25	2.125	5.00	.500	3.75	4.65
326TS	26.06	6.00	14.00	---	10.50	4.00	3.75	1.875	3.50	.500	2.00	4.65
326T	27.56	6.00	14.00	12.00	---	3.50	3.25	2.125	5.00	.500	3.75	5.05
326TS	26.06	6.00	14.00	12.00	---	4.00	3.75	1.875	3.50	.500	2.00	5.05
364T	29.70	6.12	14.25	---	11.25	6.12	5.88	2.375	5.62	.625	4.25	7.15
364TS	27.58	6.12	14.25	---	11.25	4.00	3.75	1.875	3.50	.500	2.00	7.10
366T	29.70	6.12	14.25	12.25	---	6.12	5.88	2.375	5.62	.625	4.25	7.55
366TS	27.58	6.12	14.25	12.25	---	4.00	3.75	1.875	3.50	.500	2.00	7.50
404T	34.00	6.88	16.00	---	12.25	7.62	7.25	2.875	7.00	.750	5.50	10.25
404TS	31.00	6.88	16.00	---	12.25	4.62	4.25	2.125	4.00	.500	2.75	10.20
405T	34.00	6.88	16.00	13.75	---	7.62	7.25	2.875	7.00	.750	5.50	10.65
405TS	31.00	6.88	16.00	13.75	---	4.62	4.25	2.125	4.00	.500	2.75	10.60
444T	39.56	8.25	19.00	---	14.50	8.94	8.50	3.375	8.25	.875	6.88	17.15
444TS	35.81	8.25	19.00	---	14.50	5.19	4.75	2.375	4.50	.625	3.00	17.10
445T	39.56	8.25	19.00	16.50	---	8.94	8.50	3.375	8.25	.875	6.88	17.55
445TS	35.81	8.25	19.00	16.50	---	5.19	4.75	2.375	4.50	.625	3.00	17.50

- (1) SPECIAL DIMENSIONS APPLYING TO THIS ORDER ON THIS LINE.
- (2) "D" VARIES — 250T - 320T +.00, -.03.  
                          360T - 440T +.00, -.06.
- (3) "U" VARIES +.000, -.001
- (4) ALL FRAMES HAVE EIGHT MOUNTING HOLES FOR DUAL MOUNTING.
- (5) MOTOR WEIGHTS MAY VARY BY 15% DEPENDING UPON RATING.

CONDUIT BOX LOCATED ON OPPOSITE SIDE WHEN F-2,W-1, W-4,W-5,W-7, OR C-1 MOUNTING IS SPECIFIED.  
IF MOUNTING CLEARANCE DETAILS ARE REQUIRED, CONSULT FACTORY.  
MAXIMUM PERMISSIBLE SHAFT RUNOUT WHEN MEASURED AT END OF STD. SHAFT EXTENSION IS .002 T.I.R. UP TO AND INCLUDING 1.625 DIA. AND .003 T.I.R. ABOVE 1.625 TO 5 INCH DIA.

FRAMES "N-W" VARIES +.00, -.02 TYPE \_\_\_\_\_ CERTIFIED FOR \_\_\_\_\_  
ORDER \_\_\_\_\_ ITEM \_\_\_\_\_ HP \_\_\_\_\_ RPM \_\_\_\_\_ PH \_\_\_\_\_ HZ \_\_\_\_\_ VOLTS \_\_\_\_\_  
SALES ORDER \_\_\_\_\_ APPROVED BY \_\_\_\_\_ DATE \_\_\_\_\_

CUSTOMER IS RESPONSIBLE FOR DETERMINING THAT BALDOR'S PRODUCT WILL PERFORM SUITABLY IN THE INTENDED APPLICATION.

REV. DESC: ASSIGNED TO BUSLOAD	VERSION: 01	TDR: 000000489455
REV. LTR: A	REVISED: 15:03:33 02/02/2009	BY: RAGZJR
FILE: \RAG\00008\297		
MTL: -		

**Baldor • Dodge • Reliance**

DIM SHT PROT SV FT 250-440T