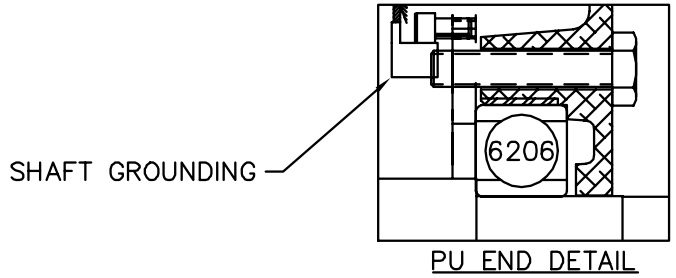
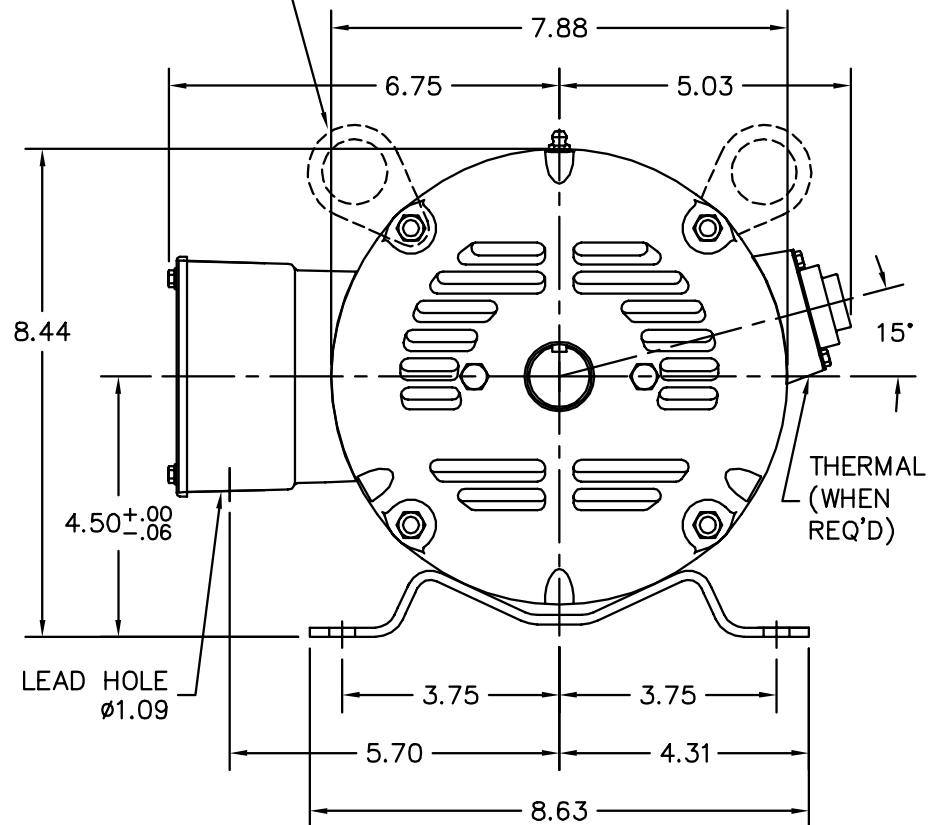
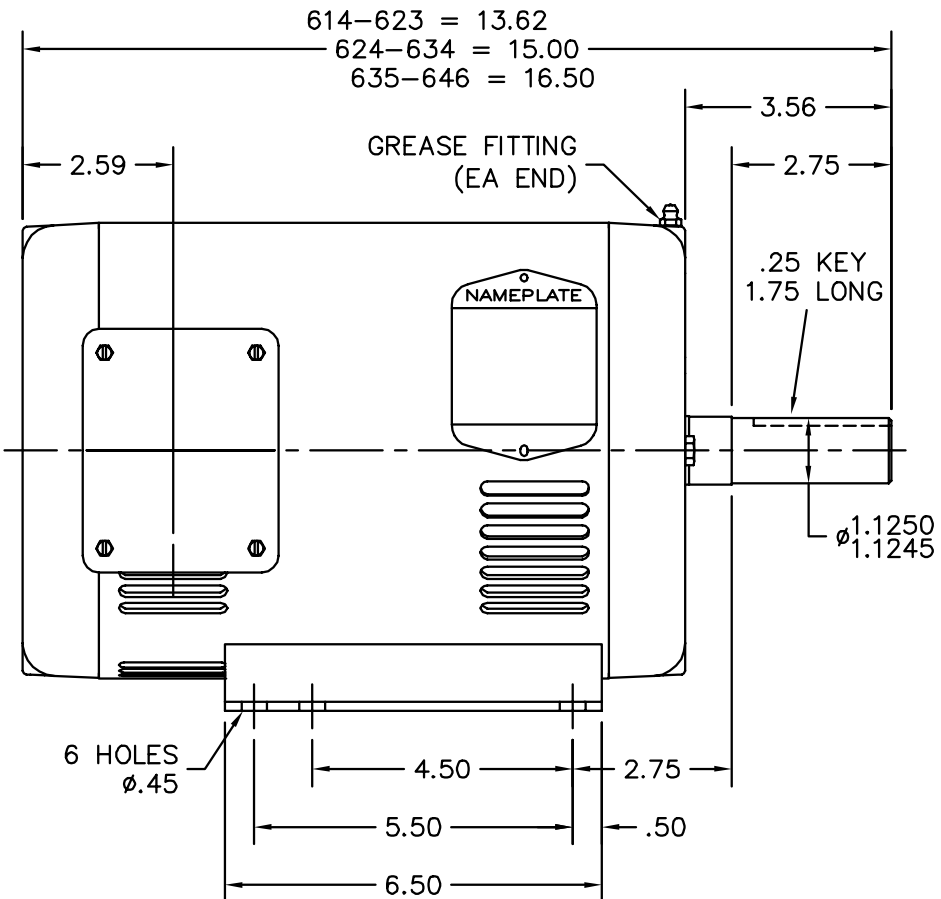


1 LUG EA END
DIAGONALLY SPACED
(635-646 STACKS ONLY)



CUSTOMER IS RESPONSIBLE FOR DETERMINING THAT BALDOR'S PRODUCT WILL PERFORM SUITABLY IN THE INTENDED APPLICATION.

REV. DESC: BP5338A11 WAS A06		
REV. LTR: B	VERSION: 02	TDR: 00000891609
FILE: \AAA\00204\474	REVISED: 08: 48: 09 02/09/2015	BY: ENBILTO
MTL: -	◎ ◻	

BALDOR

HOR 182-4T OPSB M, BALDOR INT GND

SH 1 of 1

36LYQ133