

# RPM-AC FINNED FRAME VARIABLE SPEED ALTERNATING CURRENT MOTOR RL3213Z & URL3213Z

COOLING: FORCE VENTILATED

ACCESSORIES: PROVISIONS FOR  
TACHOMETER MOUNTING  
ONLY WHEN SPECIFIED

ENCLOSURE: DRIP PROOF

MOUNTING: FOOT

DRIVE METHOD: COUPLED OR BELTED

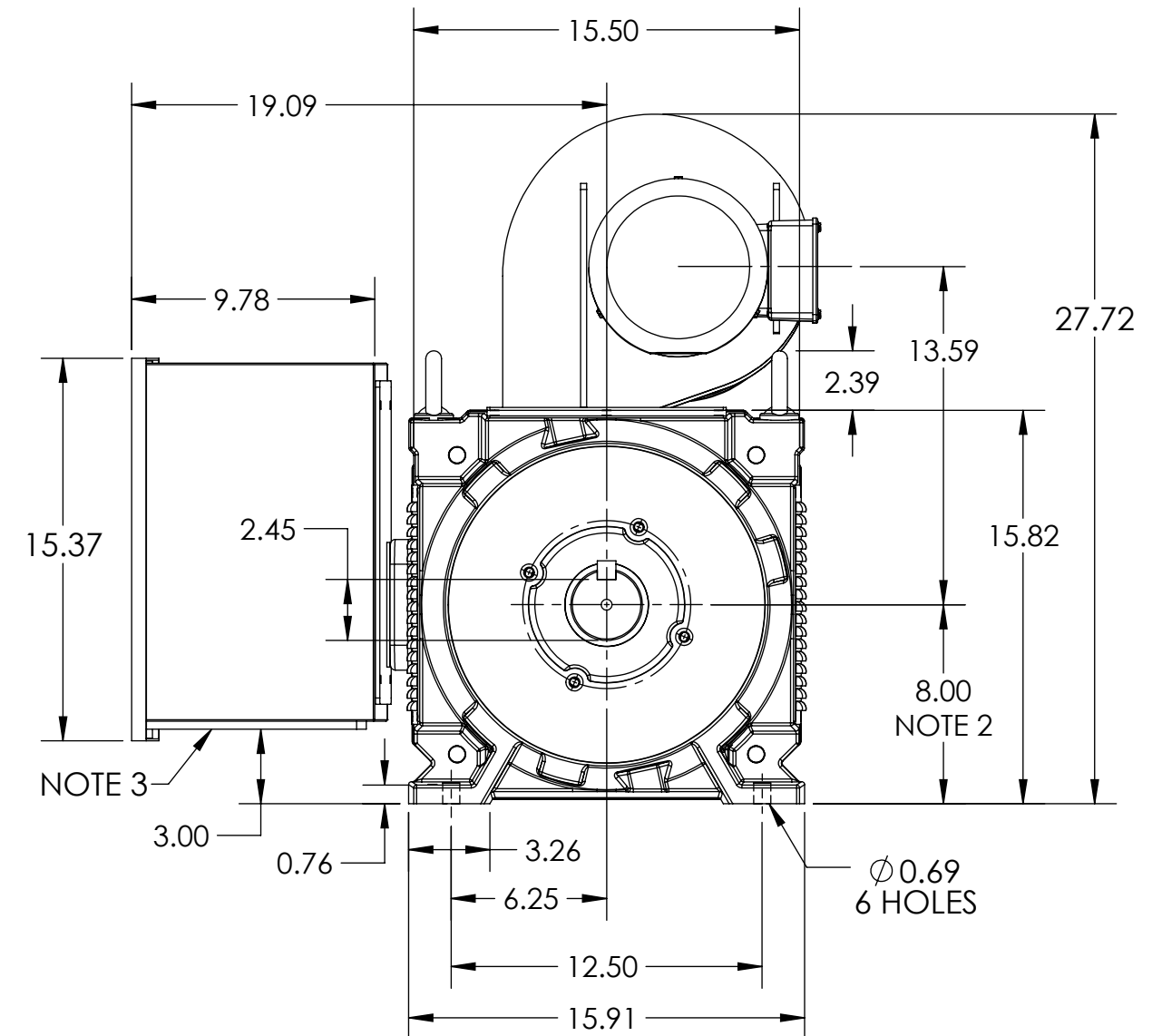
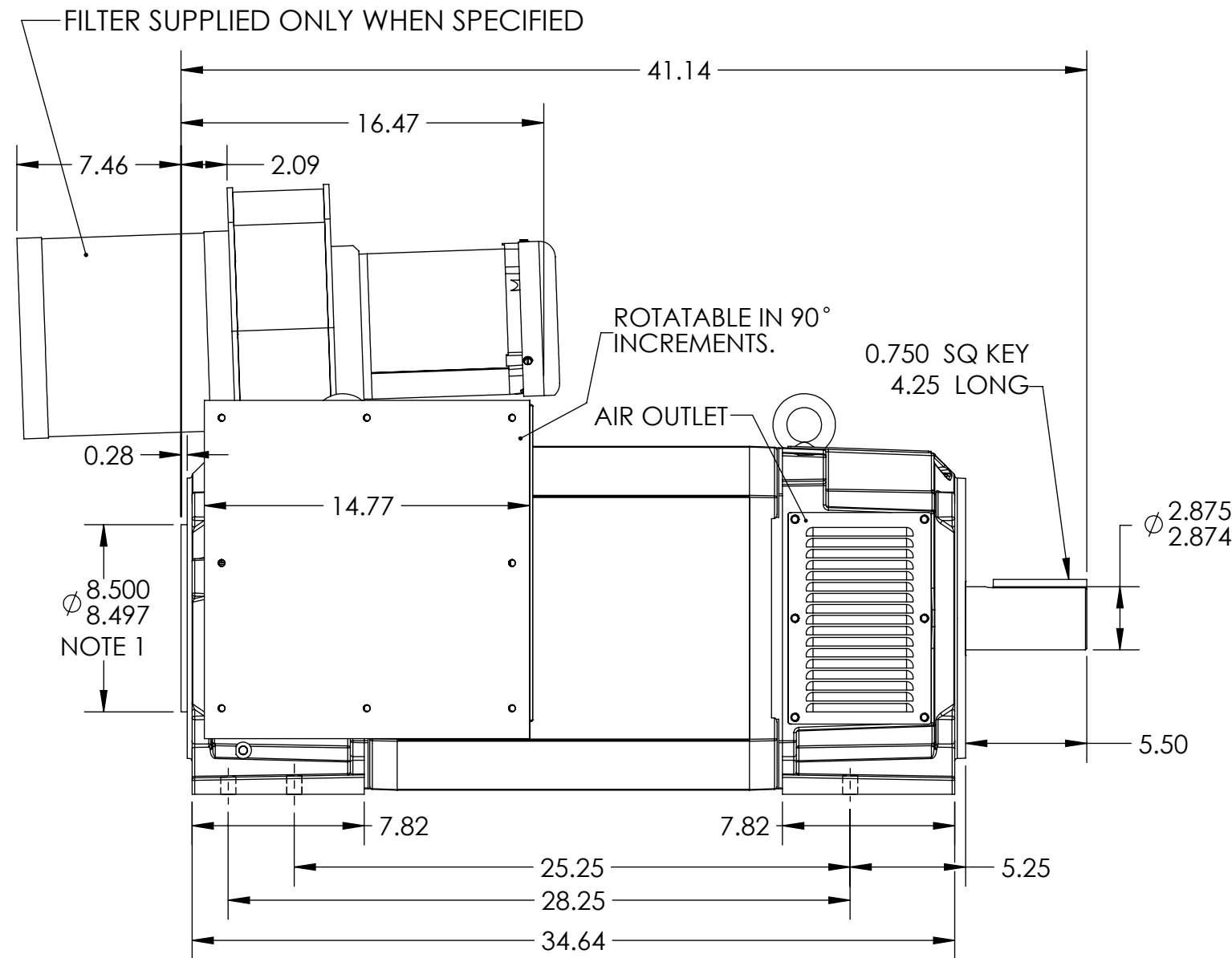
619695-001

D

C

B

A



- NOTES:
- O.D.E. C-FACE & TACHOMETER MOUNTING. 1/2-13 TAP, 1.00 DEEP, ON A  $\phi 7.25$  B.C. FACE RUN OUT AND ECCENTRICITY 0.004 MAX. T.I.R.
  - SHAFT HEIGHT WILL NOT BE EXCEEDED. SHIMS UP TO 0.06 INCHES IN THICKNESS ARE USUALLY REQUIRED FOR COUPLED OR GEARED MACHINES.
  - REMOVABLE COVER PLATE FOR CUSTOMER DRILLING.

- TERMINAL BOX MAY BE LOCATED F1, F2 OR F3, IF SPECIFIED.
- REFER TO 616779-51 FOR SPECIFIED TACHOMETER DIMENSIONS.
- BLOWER ASSEMBLY CAN BE LOCATED F1, F2, OR F3, IF SPEC'D.
- BLOWER ASSEMBLY AND TERMINAL BOX CANNOT BE LOCATED AT THE SAME POSITION.

DIMENSIONS ARE IN INCHES  
MOTOR WEIGHT: 1470 LBS. (MAY VARY 15%  
FOR NON-STANDARD RATINGS AND / OR  
ACCESSORIES.)

CUSTOMER IS RESPONSIBLE FOR DETERMINING THAT BALDOR'S PRODUCT WILL PERFORM SUITABLY IN THE INTENDED APPLICATION

REV. DESC: ADD "URL" TO TITLE			
REV: C	VERSION: 03	REVISED: 09:02:04 08/23/2017	TDR: 000001040410
MODEL NO. 619695-001			REF: -
BY: RGGWT			<b>B</b>

**BALDOR**

DIM SHT,RL/URL3213Z,FOOTED,RPM-AC,DP FV

619695-001

8 7 6 5 4 3 2 1