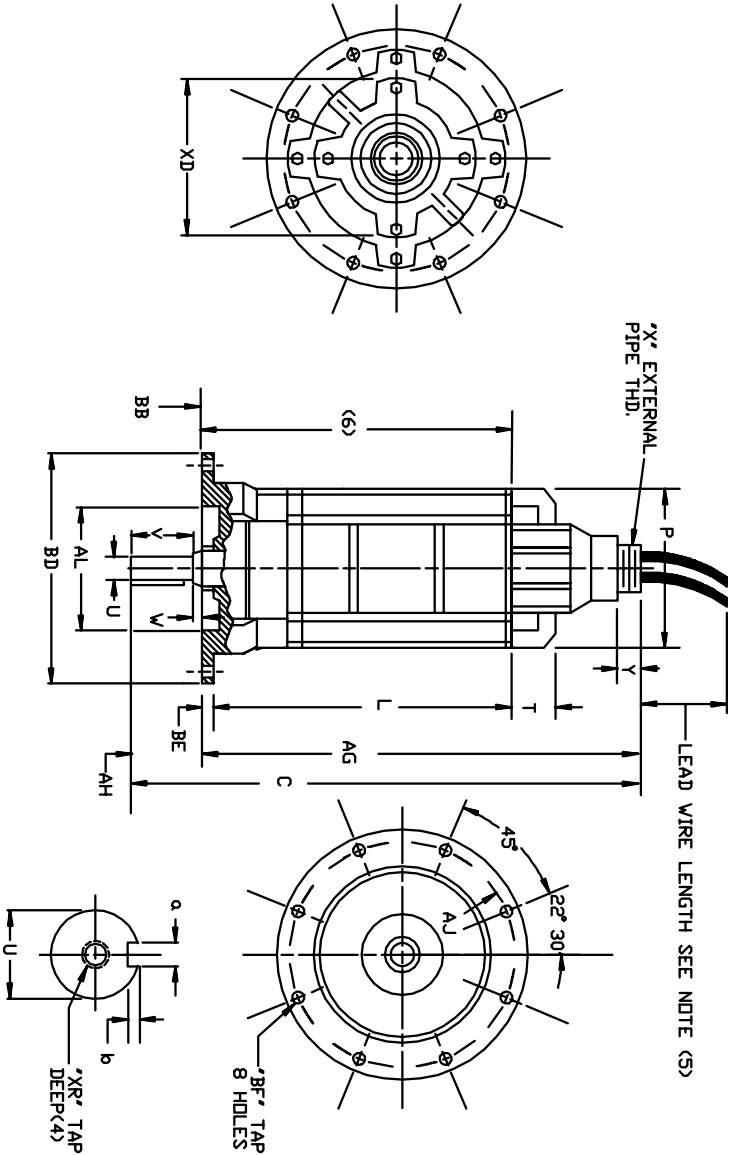


# DUTY MASTER ALTERNATING CURRENT MOTORS

SQUIREL-CAGE INDUCTION  
ENCLOSURE: TOTALLY ENCLOSED  
SUBMERSIBLE

FRAME 210TY



CUSTOMER IS RESPONSIBLE FOR DETERMINING THAT BALDOR'S PRODUCT WILL PERFORM SUITABLY IN THE INTENDED APPLICATION.

REV. DESC: LOAD TO BUS	VERSION: 00	TDR: 000000925374
REV. LTR: -	REVISED: 10: 39: 07 05/14/2015	BY: RGGWT
FILE: \RGG\00025\103		
MTL: -		

**BALDOR**

DIM SHT,210TY,SUBMERSIBLE

SH 1 of 1

DIMENSIONS ARE IN INCHES SEE SHEET 2 FOR MILLIMETERS

FRAME	C	L	P	T	UC(3)	V	V	AG	AH	AJ	AL(7)
210TY	32.41	21.12	11.50	2.25	1.250	2.00	.28	30.12	2.28	11.50	10.625
(1)											

FRAME	BD(2)	BE	BF	XR(4)	LEAD CONNECTION				BE KEYWAY			WEIGHT LBS.
					X	Y	XD	BB	a	b	LENGTH	
210TY	12.38	.75	.56	1/2-13	2-1/2-8	1.25	7.75	.12	.250	.12	.112	315
(1)												

- (1) SPECIAL DIMENSIONS ON THIS LINE.
  - (2) 'BD' VARIES ± .010
  - (3) 'U' VARIES +.0000, -.0005
  - (4) TAP DEPTH ON 210TY IS 1.38
  - (5) LEAD WIRE LENGTH AS SPECIFIED ON SALES ORDER
  - (6) MINIMUM SUBMERGED DEPTH.
  - (7) 'AL' VARIES +.004, -.000.
- FACE RUNDOUT AND ECCENTRICITY .008 MAX. T.I.R.  
PROTECTIVE CONDUIT FURNISHED BY CUSTOMER.