

# DUTY MASTER ALTERNATING CURRENT MOTORS

SQUIRREL-CAGE INDUCTION  
ENCLOSURE: TOTALLY ENCLOSED

SUBMERSIBLE  
ONE SIZE SMALLER FLANGE AND SHAFT

066930-501

D

C

B

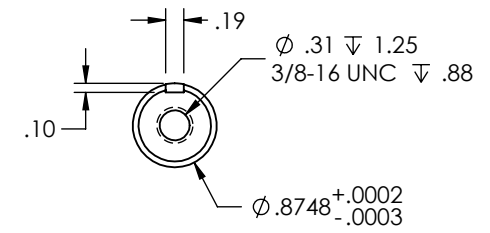
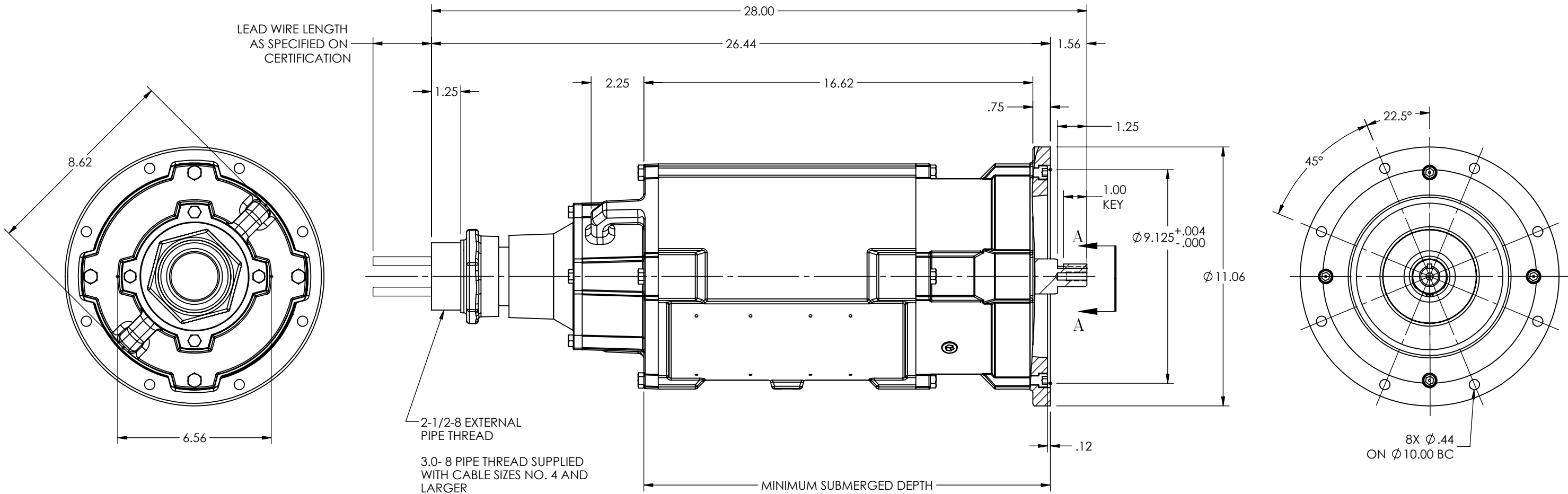
A

D

C

B

A



SECTION A-A

NOTES:

1. FACE RUNOUT AND ECCENTRICITY .008 MAX T.I.R.
2. PROTECTIVE CONDUIT FURNISHED BY CUSTOMER
3. WEIGHT (LBS): 200

CUSTOMER IS RESPONSIBLE FOR DETERMINING THAT BALDOR'S PRODUCT WILL PERFORM SUITABLY IN THE INTENDED APPLICATION

REV. DESC: NEW (REPLACES 180TY ON 066930-017)			
REV: -	VERSION: 00	REVISED: 02:39:55 11/09/2015	TDR: 000000951199
MODEL NO. 066930-501			REF: -
BY: ENWINB0			<b>B</b>

**BALDOR**

DIM SHT 180TY SUBMERSIBLE, 1 SIZE SMALLER FLG/SH (066930-020)

066930-501