

DUTY MASTER ALTERNATING CURRENT MOTORS

SQUIRREL-CAGE INDUCTION
ENCLOSURE: TOTALLY ENCLOSED

SUBMERSIBLE

066930-500

D

D

C

C

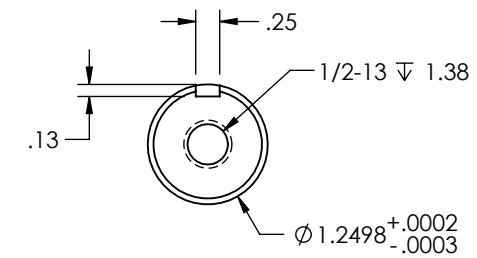
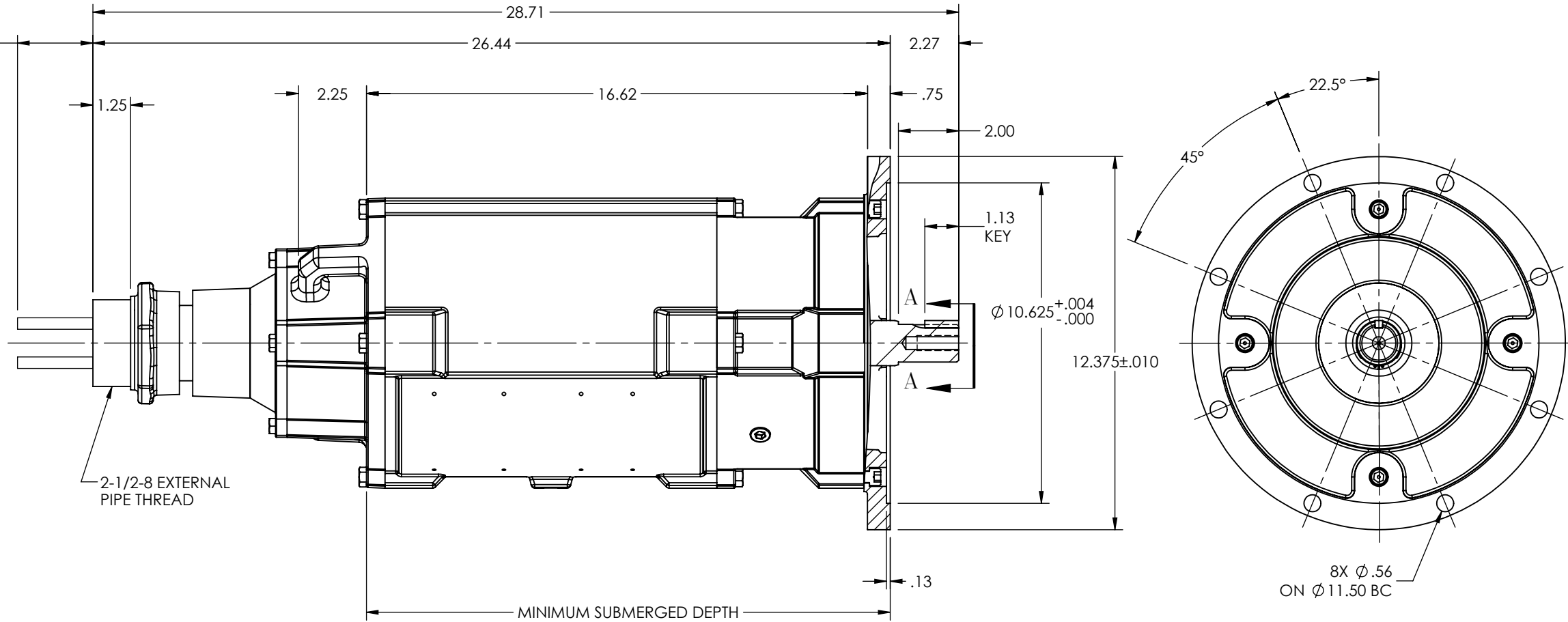
B

B

A

A

LEAD WIRE LENGTH
AS SPECIFIED ON
CERTIFICATION



SECTION A-A

NOTES:

1. FACE RUNOUT AND ECCENTRICITY .008 MAX T.I.R.
2. PROTECTIVE CONDUIT FURNISHED BY CUSTOMER
3. WEIGHT (LBS): 200

CUSTOMER IS RESPONSIBLE FOR DETERMINING THAT BALDOR'S PRODUCT WILL PERFORM SUITABLY IN THE INTENDED APPLICATION

REV. DESC: NEW (REPLACES 180TY ON 066930-017)			
REV: -	VERSION: 00	REVISED: 02:35:35 11/09/2015	TDR: 000000951199
MODEL NO. 066930-500			REF: -
BY: ENWINB0			B

BALDOR

DIM SHT 180TY (066930-017)

066930-500

8

7

6

5

4

3

2

1