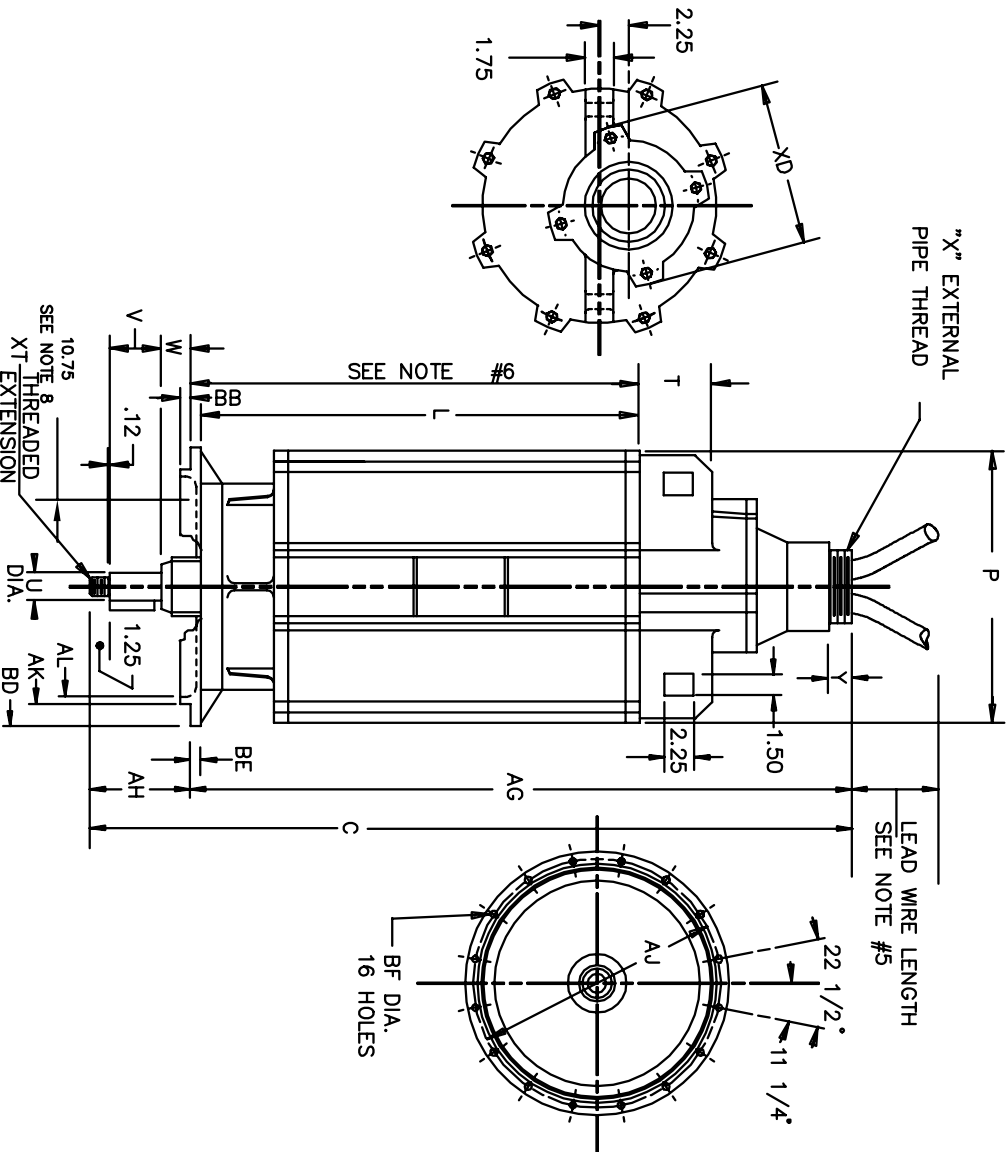


# DUTY MASTER ALTERNATING CURRENT MOTORS

SQUIREL-CAGE INDUCTION  
ENCLOSURE: TOTALLY ENCLOSED SUBMERSIBLE  
FRAME 360TY THRU L360TY



DIMENSIONS ARE IN INCHES

FRAME	C	L	P	T	U (3)	V	W	AG	AH	AJ	AK (4)	AL
360TY	47.1	31.25	18.38	4.25	2.4997	3.19	2.12	43.25	6.56	18.75	17.500	15.25
L360TY	49.1	33.25	18.38	4.25	2.4997	3.19	2.12	45.25	6.56	18.75	17.500	15.25

1.)

FRAME	BB	BD (2)	BE	BF	XT	LEAD CONNECTION				B.E. KEY	
						X	Y	XD	SQ.	LGTH.	LGTH.
360TY	.25	20.25	1.12	.69	1-1/2-12.3 - 8	1.25	10.88	.50	3.00		
L360TY	.25	20.25	1.12	.69	1-1/2-12.3 - 8	1.25	10.88	.50	3.00		

- 1.) SPECIAL DIMENSIONS APPLYING TO THIS ORDER ON THIS LINE.
- 2.) "BD" VARIES +.010.
- 3.) "U" VARIES +.0000, -.0005.
- 4.) "AK" VARIES +.000, -.002
- 5.) LEAD WIRE LENGTH AS SPECIFIED ON SALES ORDER.
- 6.) MINIMUM SUBMERGED DEPTH

FACE RUNOUT AND ECCENTRICITY .008 MAX. T.I.R.  
PROTECTIVE CONDUIT FURNISHED BY CUSTOMER.

CUSTOMER IS RESPONSIBLE FOR DETERMINING THAT BALDOR'S PRODUCT WILL PERFORM SUITABLY IN THE INTENDED APPLICATION.

REV. DESC: UPDATE NOTES, LOAD TO BUS	VERSION: 00	TDR: 000000921348
REV. LTR: -	REVISED: 09:19:59 04/20/2015	BY: RGGWT
FILE: \RGG\00024\962		
MTL: -		

## BALDOR

DIM SHT 360TY/L360TY SUBMERSIBLE

SH 1 of 1