

DUTY MASTER ALTERNATING CURRENT MOTORS

SQUIRREL-CAGE INDUCTION
ENCLOSURE: TOTALLY ENCLOSED

SUBMERSIBLE

066930-502

D

C

B

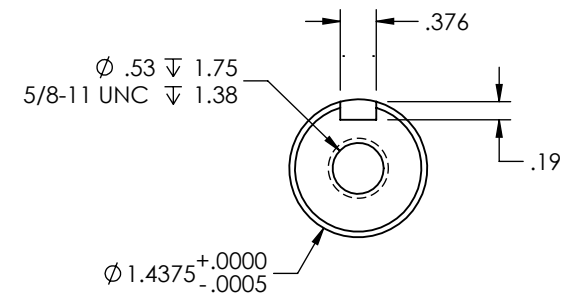
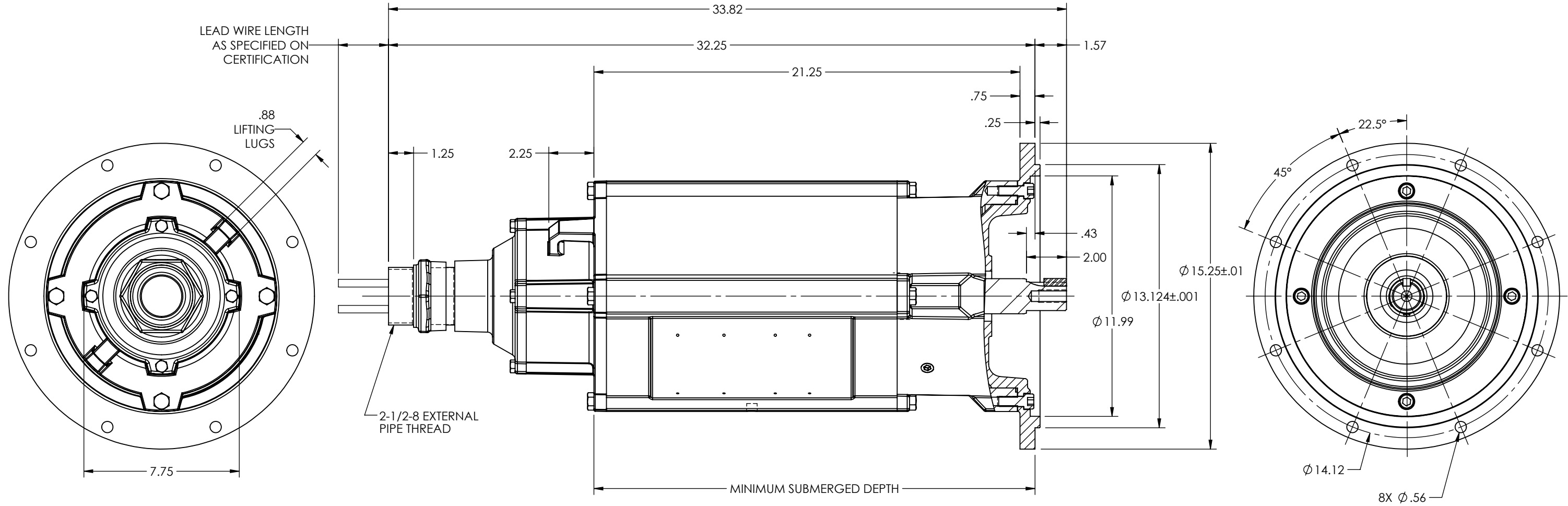
A

D

C

B

A



NOTES:

1. FACE RUNOUT AND ECCENTRICITY .008 MAX T.I.R.
2. PROTECTIVE CONDUIT FURNISHED BY CUSTOMER
3. WEIGHT (LBS): 315 +/- 15%
4. 3" - 8 PIPE THREAD SUPPLIED WITH CABLE SIZES NO. 4 AND LARGER

CUSTOMER IS RESPONSIBLE FOR DETERMINING THAT BALDOR'S PRODUCT WILL PERFORM SUITABLY IN THE INTENDED APPLICATION

REV. DESC: NEW TO REPLACE 210TY ON 066930-018			
REV: -	VERSION: 00	REVISED: 02:24:18 05/18/2016	TDR: 000000980652
MODEL NO. 066930-502			REF: -
BY: ENWINB0			B

BALDOR

DIM SHT 210TY (066930-018)

066930-502

8

7

6

5

4

3

2

1