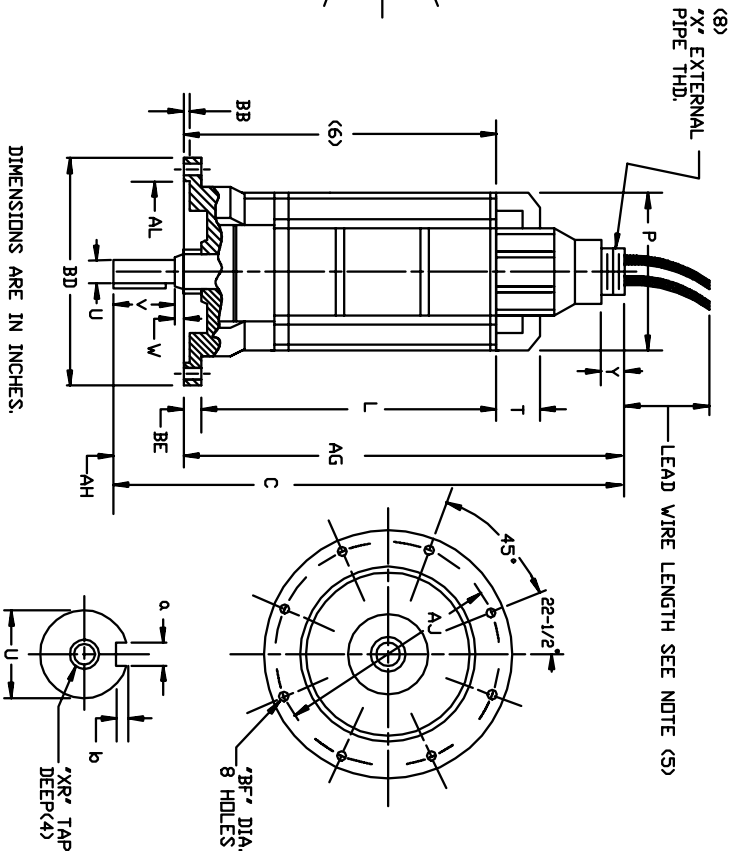


DUTY MASTER ALTERNATING CURRENT MOTORS

SQUIREL-CAGE INDUCTION
ENCLOSURE: TOTALLY ENCLOSED
SUBMERSIBLE
ONE SIZE SMALLER FLANGE AND SHAFT
FRAMES 180TY THRU 210TY



FRAME	C	L	P	T	UC(3)	V	W	AG	AH	AJ	AL(7)
180TY	25.94	16.50	9.62	2.25	.8750	1.25	.31	24.38	1.56	10.00	9.125
210TY	32.41	21.12	11.50	2.25	1.2500	2.00	.28	30.12	2.28	11.50	10.625

FRAME	BD(2)	BE	BF	XR(4)	LEAD CONNECTION				B.E. KEYWAY		WEIGHT	
					X	Y	XD	BB	a	b		
180TY	11.062	.75	.44	3/8-16	2-1/2-8	1.25	6/75	.12	.187	.09	1.12	200
210TY	12.375	.75	.56	1/2-13	2-1/2-8	1.25	7/75	.12	.250	.12	1.12	315

- (1) SPECIAL DIMENSIONS ON THIS LINE.
- (2) 'BD' VARIES ± .010
- (3) 'U' VARIES +.0000, -.0005
- (4) TAP DEPTH ON 180TY THRU 210TY IS 1.38
- (5) LEAD WIRE LENGTH AS SPECIFIED ON CERTIFICATION
- (6) MINIMUM SUBMERGED DEPTH.
- (7) 'AL' VARIES +.004, -.000
- (8) 3" - 8 PIPE THREAD SUPPLIED WITH CABLE SIZES NO. 4 AND LARGER.

CUSTOMER IS RESPONSIBLE FOR DETERMINING THAT BALDOR'S PRODUCT WILL PERFORM SUITABLY IN THE INTENDED APPLICATION.

REV. DESC: LOAD TO BUS	VERSION: 00	TDR: 000000925374
REV. LTR: -	REVISED: 08:11:59 05/14/2015	BY: RGGWT
FILE: \RGG\00025\093		
MTL: -		

BALDOR

DIM SHT, 180TY THRU 210TY, SUBMERSIBLE, 1 SIZE SMALLER FLG/SH