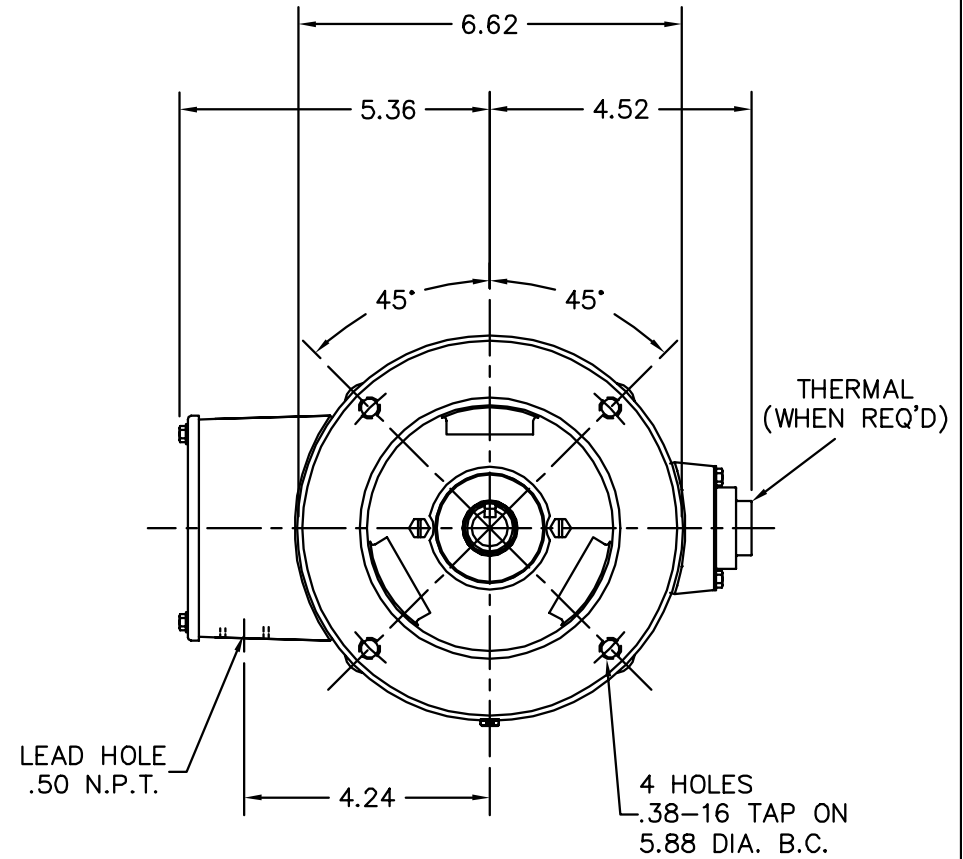


PULLEY END DETAIL



CUSTOMER IS RESPONSIBLE FOR DETERMINING THAT BALDOR'S PRODUCT WILL PERFORM SUITABLY IN THE INTENDED APPLICATION.

REV. DESC: NEW		
REV. LTR: -	VERSION: 00	TDR: 00000973309
FILE: \AAA\00226\241	REVISED: 09: 34: 05 04/15/2016	BY: ENCHALO
MTL: -	◎ ◻	

BALDOR

STD VERT 143-5TC TENV 35M DDP

SH 1 of 1