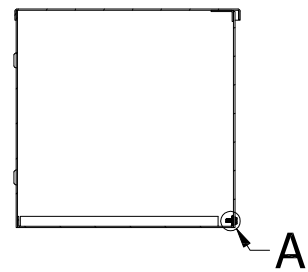
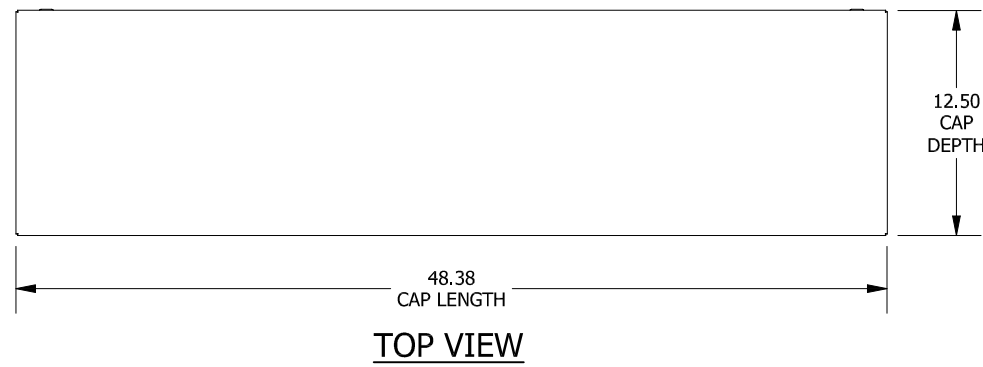
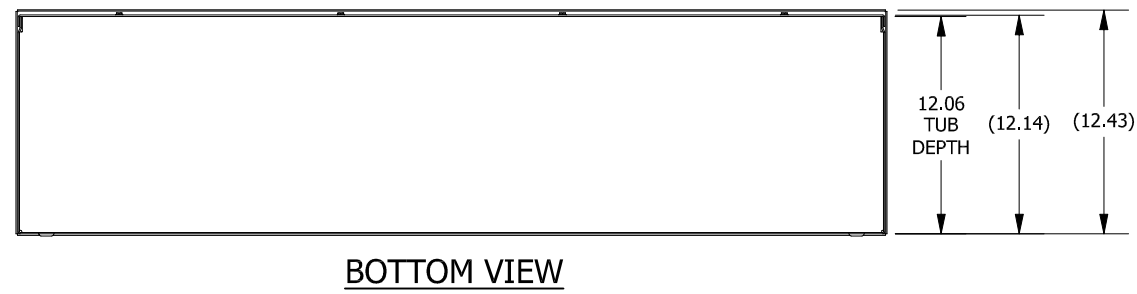
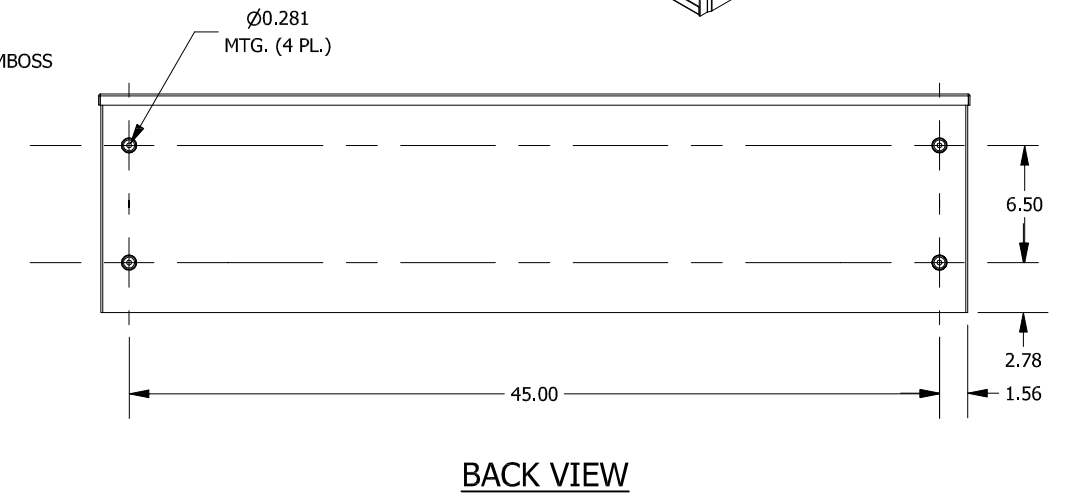
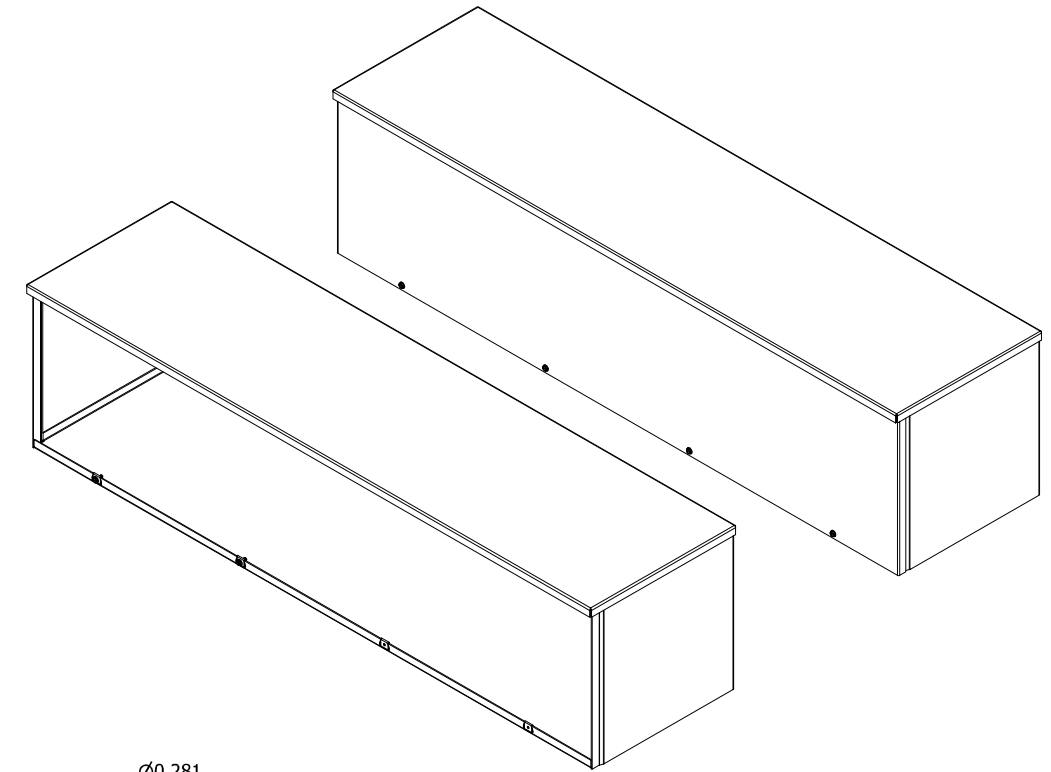
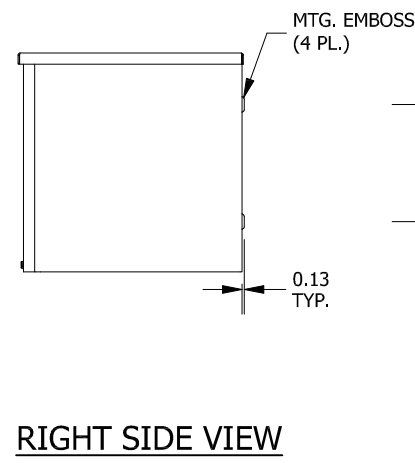
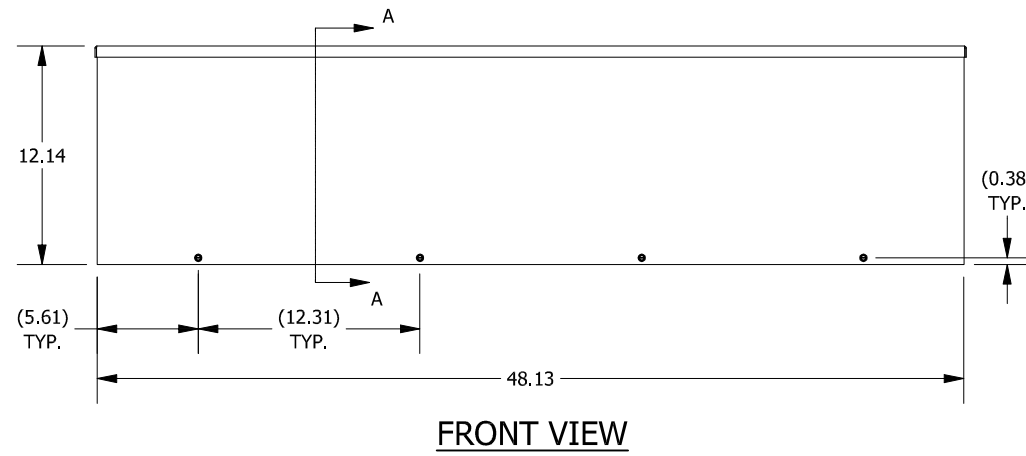


**DETAIL A (4 PL.)**  
**(LID ATTACHMENT DETAIL)**



**SECTION A-A**  
**(INSIDE RIGHT OF ENCL.)**



PART#: RSCG121248GNK  
(DATA SUBJECT TO CHANGE WITHOUT NOTICE)

THIS DRAWING IS PROPERTY OF HUBBELL INC. WIEGMANN  
ALL INFORMATION IS PROPRIETARY AND NOT TO BE DUPLICATED