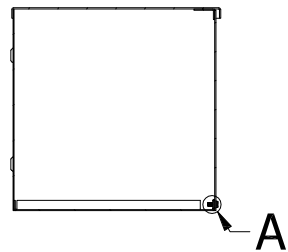
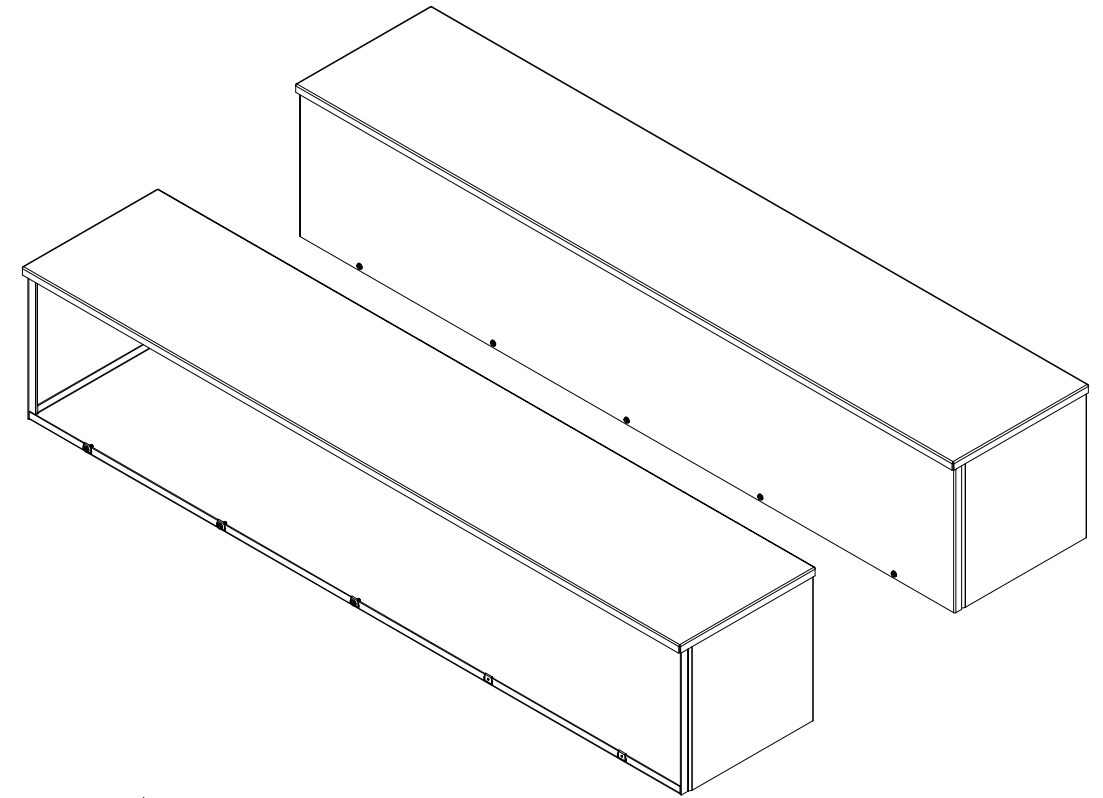
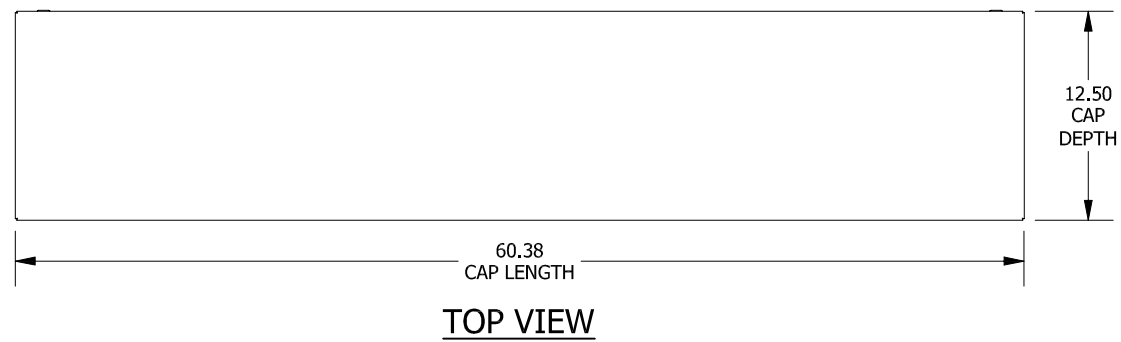
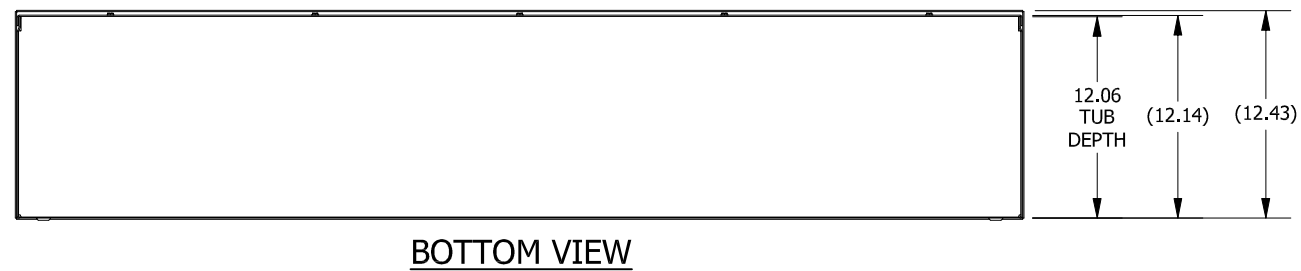
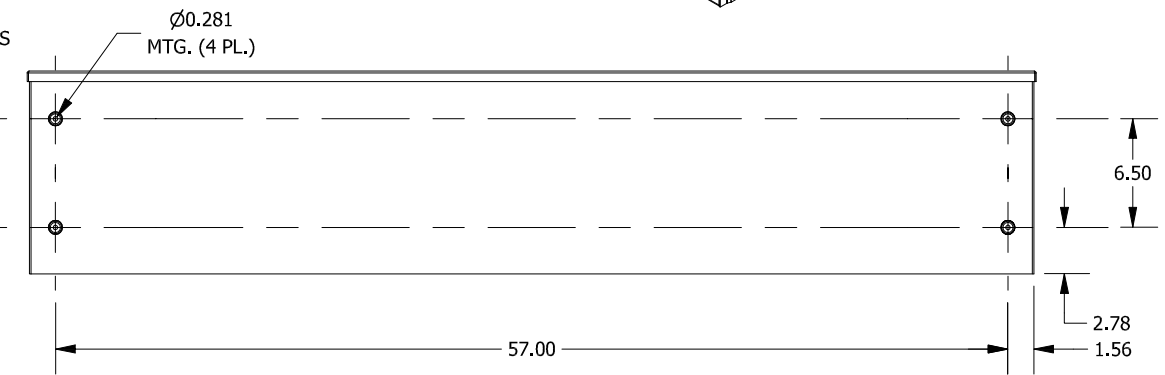
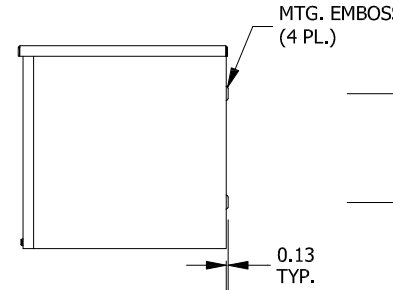
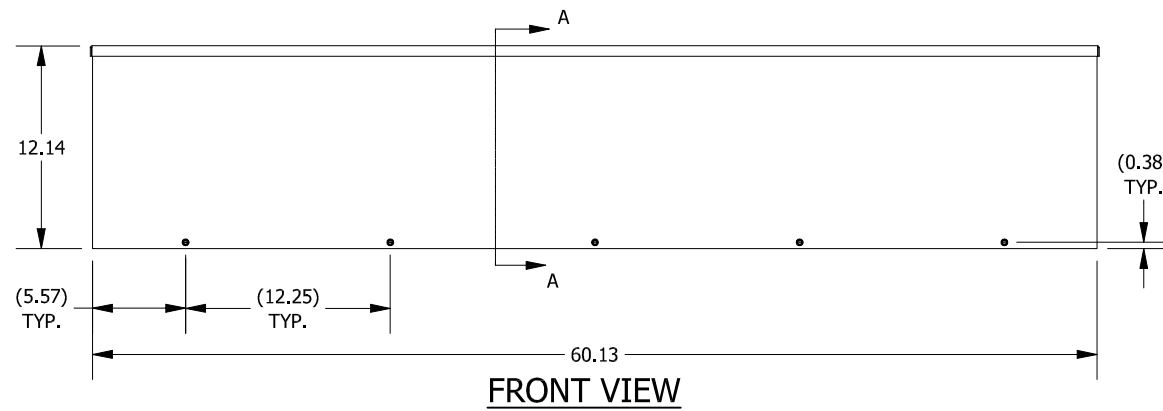


**DETAIL A (5 PL.)
(LID ATTACHMENT DETAIL)**



**SECTION A-A
(INSIDE RIGHT OF ENCL.)**



PART#: RSCG121260GNK
(DATA SUBJECT TO CHANGE WITHOUT NOTICE)

THIS DRAWING IS PROPERTY OF HUBBELL INC. WIEGMANN
ALL INFORMATION IS PROPRIETARY AND NOT TO BE DUPLICATED