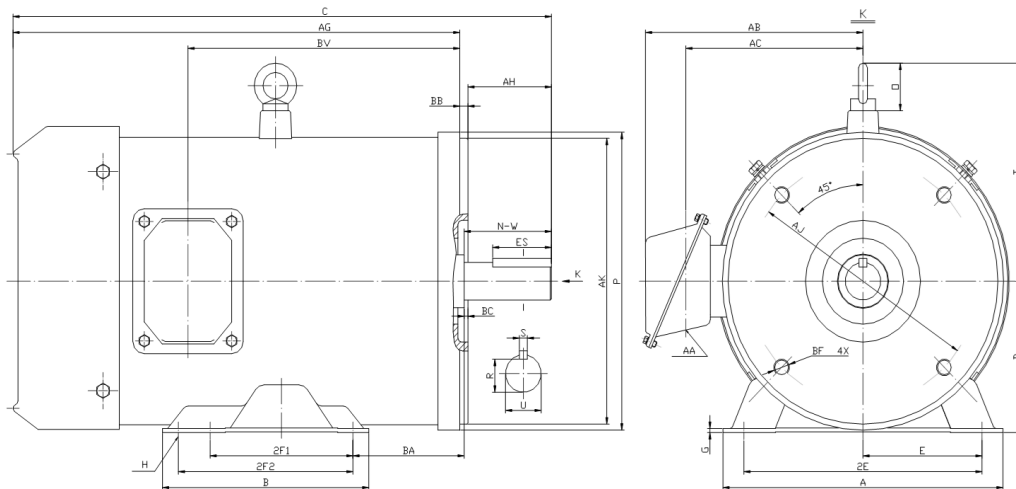




**PES182TC3M-4**

**WASHDOWN DUTY MOTOR  
 NEMA PREMIUM EFFICIENCY  
 STAINLESS STEEL CONSTRUCTION - C-FLANGE WITH FEET  
 TOTALLY ENCLOSED FAN COOLED - IP66 CONSTRUCTION  
 INVERTER DUTY 10:1 CT; 20:1 VT - NEMA MG1 PART 31**



**DIMENSIONS**

HP	RPM	Frame	MOUNTING												
			A	B	C	D	G	H	E	2E	2F1	2F2	P	AG	BA
3	1800	182TC	8.8	6.5	17	4.5	0.118	0.71*0.47	3.75	7.5	4.5	5.5	8.85	14.13	3.5

FLANGE						Shaft Extension, Key Set					Conduit Box			
AH	AJ	AK	BB	BC	BF	U	R	S	ES	N-W	AA	AB	AC	BV
2.62	7.25	8.5	0.25	0.12	4*1/2-13	1.125	0.986	0.25	1.78	2.75	0.94	7	5.3	8.6

Bearings		Mount
DE	ODE	
6308-2RS	6306-2RS	F1

**BEARING LUBRICATION:** The bearings come lubricated with Mobil Polyrex EM Polyurea Grease.





## PESS182TC3M-4

**WASHDOWN DUTY MOTOR**  
**NEMA PREMIUM EFFICIENCY**  
**STAINLESS STEEL CONSTRUCTION - C-FLANGE WITH FEET**  
**TOTALLY ENCLOSED FAN COOLED - IP66 CONSTRUCTION**  
**INVERTER DUTY 10:1 CT; 20:1 VT - NEMA MG1 PART 31**

### PERFORMANCE DATA

HP	RPM	Frame	Voltage	Frequency (Hz)	Full Load S.F.	Insulation Class	NEMA Design	Slip (%)	NEMA Code	Enclosure Type	IP Rating	Max. Ambient
3	1765	182TC	208-230/460	60	1.15	F	B	1.9	K	TEFC	66	40 °C

Amps (460V)		Efficiency (%)			Power Factor			Torque (ft-lb)			DE Bearing	ODE Bearing	Connection	Weight (lbs.)
FLA	LRA	100%	75%	50%	100%	75%	50%	FLT	LRT %	BDT %	6308-2RS	6306-2RS	9 Lead 2Y/Y	78
4	32	89.5	90.0	89.0	0.81	0.75	0.64	8.8	270	290				

### NAME PLATE

		<b>THREE PHASE AC INDUCTION MOTOR</b> <b>INVERTER DUTY 20:1 VT; 10:1 CT</b>								Hernando, MS 38632			
		Model :		PESS182TC3M-4				IP	66	FRAME	182TC	LB/WT	78
HZ	60	S.F.	1.15	HZ	50	S.F.	1.0	NEMA DESIGN	B				
HP	3	RPM	1765	HP	3	RPM	1460	ENCL.	TEFC	INS	F		
VOLTS		208-230/460			VOLTS		190/380		DUTY	CONT	AMB	40 °C	
AMPS		8.4 - 8 / 4			AMPS		9.6/4.8		DE BRG	6308-2RS			
CODE	K	P.F.	0.81	CODE	K	P.F.	0.83	ODE BRG	6306-2RS				
EFF	89.5	MIN	87.5	EFF	87.5	MIN	85.5	SER NO.					
<div style="display: flex; justify-content: space-around;"> <div style="text-align: center;"> <p>208-230V</p> </div> <div style="text-align: center;"> <p>460V</p> </div> </div>								CC082A MADE IN CHINA					

Factory Certified for T2B  
 Div 2. Class I, Gr. A , B , C & D  
 and Class II, Gr. F & G

### APPLICATIONS:

Applications include washdown applications, food processing, chemical processing, pharmaceuticals, poultry processing, meat processing, dairy applications, bakeries, snack foods, bottling and extremely corrosive environments.