

# Hub City™ Worm Gear Drives

## Double Reduction

### PowerCubeX® Worm Speed Reducer Catalog Ratings

#### 1800 Series • 130 Primary • 180 Secondary

SERIES	INPUT RPM	UNIT RATIO	OUTPUT RPM	PRIM. RATIO	SEC. RATIO	ALL	CONVENTIONAL OIL		PAO SYNTHETIC OIL		PAG SYNTHETIC OIL	
						INPUT HP	EFF. %	OUTPUT TORQUE	EFF. %	OUTPUT TORQUE	EFF. %	OUTPUT TORQUE
1800	1750	50	35.0	5	10	0.551	66.6	661	74.9	743	79.6	790
		75	23.3	5	15	0.446	61.8	744	69.4	836	73.8	889
		100	17.5	5	20	0.333	59.8	717	67.1	806	71.4	857
		150	11.7	10	15	0.251	57.1	775	64.1	871	68.2	926
		200	8.75	10	20	0.187	55.0	742	61.8	834	65.7	886
		250	7.00	10	25	0.152	52.7	721	59.3	810	63.0	861
		300	5.83	20	15	0.143	50.9	788	57.2	885	60.8	941
		400	4.38	20	20	0.107	49.0	754	55.0	847	58.5	901
		500	3.50	25	20	0.091	45.9	754	51.6	847	54.9	901
		600	2.92	20	30	0.091	41.1	806	46.1	906	49.1	963
		750	2.33	25	30	0.078	38.3	806	43.0	906	45.8	963
		900	1.94	30	30	0.068	36.3	806	40.8	906	43.4	963
		1000	1.75	50	20	0.056	37.5	754	42.1	847	44.8	901
		1200	1.46	40	30	0.056	33.1	806	37.2	906	39.5	963
		1500	1.17	50	30	0.048	30.9	806	34.7	906	36.9	963
		1800	0.97	60	30	0.044	28.3	806	31.8	906	33.8	963
		2000	0.88	50	40	0.036	28.8	748	32.4	840	34.4	894
2400	0.73	60	40	0.033	26.4	748	29.7	840	31.6	894		
3000	0.58	60	50	0.027	24.5	702	27.5	789	29.2	839		
3600	0.49	60	60	0.023	22.2	666	24.9	748	26.5	796		

#### 2100 Series • 130 Primary • 210 Secondary

SERIES	INPUT RPM	UNIT RATIO	OUTPUT RPM	PRIM. RATIO	SEC. RATIO	ALL	CONVENTIONAL OIL		PAO SYNTHETIC OIL		PAG SYNTHETIC OIL	
						INPUT HP	EFF. %	OUTPUT TORQUE	EFF. %	OUTPUT TORQUE	EFF. %	OUTPUT TORQUE
2100	1750	50	35.0	5	10	0.89	67.2	1071	75.4	1203	80.2	1279
		75	23.3	5	15	0.66	63.8	1141	71.6	1282	76.2	1363
		100	17.5	5	20	0.53	60.5	1163	68.0	1307	72.3	1389
		150	11.7	10	15	0.37	59.1	1190	66.4	1337	70.6	1422
		200	8.75	10	20	0.30	55.7	1211	62.6	1361	66.5	1447
		250	7.00	10	25	0.238	53.9	1157	60.5	1300	64.4	1382
		300	5.83	20	15	0.212	52.9	1211	59.4	1361	63.2	1447
		400	4.38	20	20	0.173	49.5	1233	55.6	1385	59.2	1473
		500	3.50	25	20	0.147	46.4	1233	52.2	1385	55.5	1473
		600	2.92	20	30	0.130	43.9	1238	49.3	1391	52.5	1479
		750	2.33	25	30	0.112	41.0	1238	46.1	1391	49.0	1479
		900	1.94	30	30	0.098	38.9	1238	43.7	1391	46.5	1479
		1000	1.75	50	20	0.090	38.0	1233	42.8	1385	45.5	1473
		1200	1.46	40	30	0.081	35.6	1238	40.0	1391	42.5	1479
		1500	1.17	50	30	0.069	33.2	1238	37.3	1391	39.7	1479
		1800	0.97	60	30	0.063	30.5	1238	34.2	1391	36.4	1479
		2000	0.88	50	40	0.058	29.4	1224	33.1	1375	35.2	1462
2400	0.73	60	40	0.053	26.9	1224	30.3	1375	32.2	1462		
3000	0.58	60	50	0.041	25.4	1128	28.5	1267	30.3	1348		
3600	0.49	60	60	0.040	21.8	1127	24.5	1266	26.1	1346		

ADDITIONAL RATINGS FOR OTHER INPUT SPEEDS ARE AVAILABLE AT: [WWW.HUBCITYINC.COM](http://WWW.HUBCITYINC.COM)

#### OVERHUNG LOAD AND THRUST LOAD INFORMATION

OVERHUNG LOAD - LOW SPEED SHAFT - MODELS 1801 AND 1804 550 LBS. AT CENTER POINT OF SHAFT EXTENSION. MODELS 1802, AND 1805 NOT APPLICABLE. THRUST± UP OR DOWN 600 LBS.

OVERHUNG LOAD - LOW SPEED SHAFT — MODELS 2101 AND 2104 550 LBS. AT CENTER POINT OF SHAFT EXTENSION. MODELS 2102 AND 2105 NOT APPLICABLE. THRUST± UP OR DOWN 600 LBS.

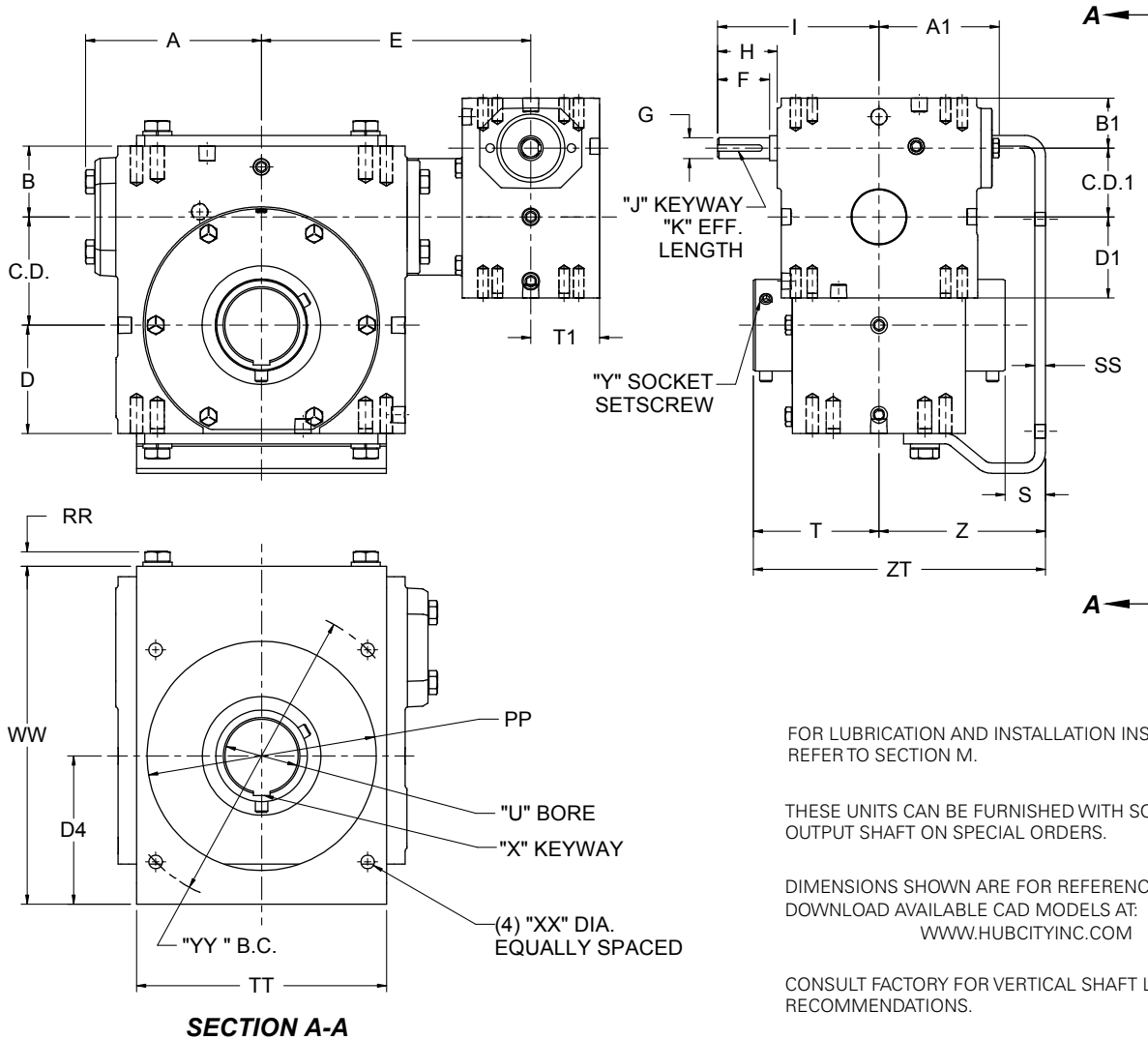
±OHL AND THRUST VALUES SHOWN ARE INDEPENDENT FUNCTIONS AND CANNOT BE APPLIED SIMULTANEOUSLY. REFER APPLICATIONS WITH COMBINED OHL AND THRUST TO REGAL CUSTOMER SERVICE DEPARTMENT.

OUTPUT TORQUE VALUES SHOWN ARE INCH-POUNDS (IN-LB).

# Hub City™ Worm Gear Drives

## Double Reduction Models

1303, 1803, 2103, 2403, 2603, 3203, 3803 (STEEL BRACKET)



FOR LUBRICATION AND INSTALLATION INSTRUCTIONS REFER TO SECTION M.

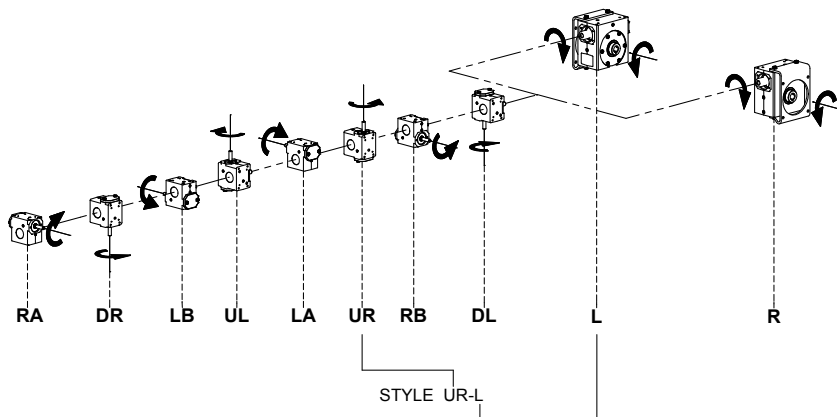
THESE UNITS CAN BE FURNISHED WITH SOLID OUTPUT SHAFT ON SPECIAL ORDERS.

DIMENSIONS SHOWN ARE FOR REFERENCE ONLY. DOWNLOAD AVAILABLE CAD MODELS AT: [WWW.HUBCITYINC.COM](http://WWW.HUBCITYINC.COM)

CONSULT FACTORY FOR VERTICAL SHAFT LUBRICATION RECOMMENDATIONS.

INPUT SHAFT CAN BE ROTATED IN EITHER DIRECTION.

### Standard Styles Available



# Hub City™ Worm Gear Drives

## Double Reduction Models

### 1303, 1803, 2103, 2403, 2603, 3203, 3803 (STEEL BRACKET)

MODEL	PRIMARY	SECONDARY	C.D.	A	B	D	E	T1	C.D.1	A1	B1	D1
1303	131	136-56C	1.334	2.61	1.186	1.562	4.87	1.56	1.334	2.61	1.186	1.562
1803	131	186-56C	1.751	3.23	1.374	1.875	5.50	1.56	1.334	2.61	1.186	1.562
2103	131	216-56C	2.064	3.61	1.500	2.437	5.87	1.56	1.334	2.61	1.186	1.562
2403*	GW131	246	2.376	3.77	2.061	2.500	6.44	1.84	1.334	2.61	1.610	1.720
2603	131	266-56C	2.626	4.33	1.874	2.938	6.58	1.56	1.334	2.61	1.186	1.562
3203	211	326-143TC	3.251	5.28	2.124	3.250	8.09	2.06	2.064	3.61	1.500	2.437
3803	211	386-143TC	3.751	4.90	2.374	3.937	8.61	2.06	2.064	3.61	1.500	2.437

\* Model 2403 also available with cast F-flange as either an add-on kit (see page B-103) or as a special assembly (consult factory).

MODEL	F	G	H	I	J	K
1303	1.67	.500/.4985	1.76	3.82	1/8 X 1/16 P&W	1.44
1803	1.67	.500/.4985	1.76	3.82	1/8 X 1/16 P&W	1.44
2103	1.67	.500/.4985	1.76	3.82	1/8 X 1/16 P&W	1.44
2403	1.67	.500/.4985	1.76	3.82	1/8 X 1/16 P&W	1.44
2603	1.67	.500/.4985	1.76	3.82	1/8 X 1/16 P&W	1.44
3203	N/A	.625/.6235	1.76	4.82	3/16 X 3/32 P&W	1.50
3803	N/A	.625/.6235	1.76	4.82	3/16 X 3/32 P&W	1.50

MODEL	PP	SS	RR	WW	D4	TT	XX	YY	WT. LBS.
1303	3.62	0.19	0.22	5.22	2.50	4.25	11/32	5.000	25
1803	4.25	0.25	0.22	6.50	3.13	4.88	11/32	5.875	28
2103	4.75	0.31	0.33	7.63	3.75	5.75	13/32	7.000	40
2403	5.00	0.25	0.33	8.30	3.61	6.00	13/32	7.500	53
2603	5.75	0.31	0.33	8.70	3.89	6.75	13/32	8.000	53
3203	6.88	0.31	0.44	10.14	4.45	7.50	13/32	9.000	97
3803	7.50	0.31	0.44	11.53	5.09	8.25	9/16	10.000	122

### Stock Output Bores

MINIMUM AND MAXIMUM BORE DIMENSIONS SHOWN.  
FOR ADDITIONAL STOCK OUTPUT BORE SIZES  
AVAILABLE SEE PAGE B-96.

MODEL	U (MIN.)	U (MAX.)	S	T	Z	ZT
1303	N/A	5/8	0.75	2.25	3.00	5.25
1803	15/16	1	0.91	2.41	3.31	5.71
2103	15/16	1-1/2	0.85	2.78	3.63	6.41
2403	1	1-1/2	0.75	2.97	3.72	6.69
2603	1	1-1/2	0.66	2.97	3.63	6.60
3203	1-7/16	2-3/16	0.22	3.78	4.00	7.78
3803	1-7/16	2-3/16	0.72	3.78	4.50	8.28



Select hollow output bore models in this product line are now available with the HubLoc® keyless bushing system. Refer to pages i and ii at front of this catalog for features, available sizes, and ordering information.