

**Climax Metal Products Company**

8141 Tyler Boulevard  
Mentor, Ohio 44060  
USA

Toll free: 800-542-6552

Phone: 440-585-0300

Fax: 800-860-5553

Email: [sales@climaxmetal.com](mailto:sales@climaxmetal.com)

Website: [www.climaxmetal.com](http://www.climaxmetal.com)

## ITEM # G1SC-031-A, ONE-PIECE CLAMPING COLLAR G1SC-SERIES

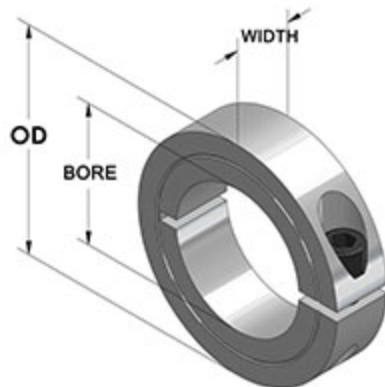
Aluminum One-Piece Clamping Collar. Design fully engages the shaft without marring. Greater axial holding power than set screw collars. Effective on hard & soft shafts.



[Drawing](#) | [Specifications](#) |

### Drawing

#### Dimensional Drawing



One-Piece Clamping Collar

## Specifications

<b>Bore</b>	5/16 in
<b>OD</b>	11/16 in
<b>Width</b>	5/16 in
<b>Style</b>	One-Piece Clamp
<b>Material</b>	Aluminum, ASTM B211
<b>Finish</b>	Plain
<b>Clamp Screw</b>	Hex Socket Cap Screw, 3A Thread, Steel, ASTM A574: 4-40 x 3/8
<b>Recessed Screw</b>	No
<b>Approximate Weight</b>	0.13 oz
<b>UPC Code</b>	044861051733

## Competitor Part Number

<b>Alternate Part Number</b>	105464714 2479163 8562903 ASP0311AL CCI-31-1-AL G1SC031A
------------------------------	---