

**Climax Metal Products Company**

8141 Tyler Boulevard

Mentor, Ohio 44060

USA

Toll free: 800-542-6552

Phone: 440-585-0300

Fax: 800-860-5553

Email: sales@climaxmetal.comWebsite: www.climaxmetal.com

ITEM # GSC-400-Z, SET SCREW COLLAR GSC-SERIES

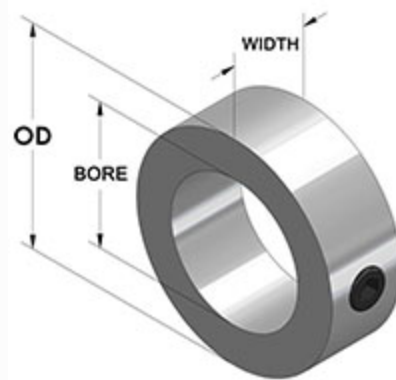
Zinc Plated Steel Set Screw Collar. Traditional cost effective collar design.



[Drawing](#) | [Specifications](#) |

Drawing

Dimensional Drawing



Set Screw Collar

Specifications

Bore	1 in
OD	5 in
Width	1 1/8 in
Style	Set Screw
Material	Steel, ASTM A108
Finish	Zinc Plated
Set Screw	Hex Socket Set Screw, 3A Thread, Steel, ASTM F912: 1/2-13 x 1/2
Approximate Weight	39.00 oz
UPC Code	044861635124

Competitor Part Number

Alternate Part Number	101533075 2478149 6L400P2 8563814 ASC400SP GSC400Z SC-400-Z
------------------------------	---