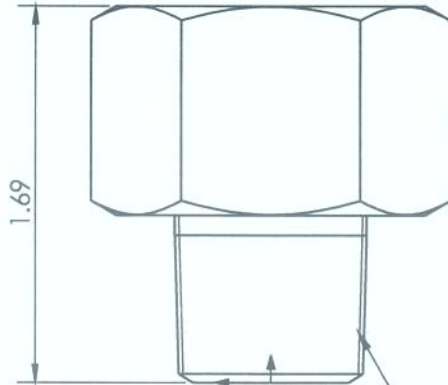
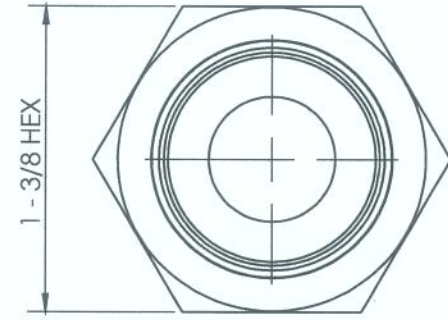
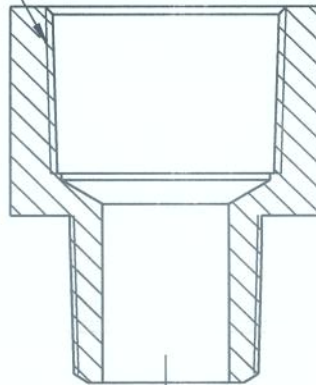


LINE DRAWING NOT FOR PRODUCTION PURPOSES



3/4 - 14 NPTF



MATERIAL 1 - 3/8 HEX ALLOY 360 BRASS

This drawing is owned by Dixon Valves, Coupling Co. and shall be returned upon demand. It is loaned on condition that it shall not be copied or reproduced or submitted to others without the owners consent. In accepting it, subject to this condition, the recipient further agrees that this drawing or any design detail or information contained herein shall remain the property of Dixon Valves, Coupling Co. and shall be returned if the recipient does not agree to the terms of this agreement they shall return this drawing immediately. The information contained in this drawing is subject to change without notice.

 Dixon Brass Westmont, Illinois USA	DRAWN	DATE
	HENRY B.	8/22/17
APPROVED	DATE	
ECO NO.		

DO NOT SCALE THIS DRAWING		
SIZE	DWG. NO.	REV
A	3751208C	A

TITLE: 1/2 X 3/4 NPTF ADAPTER