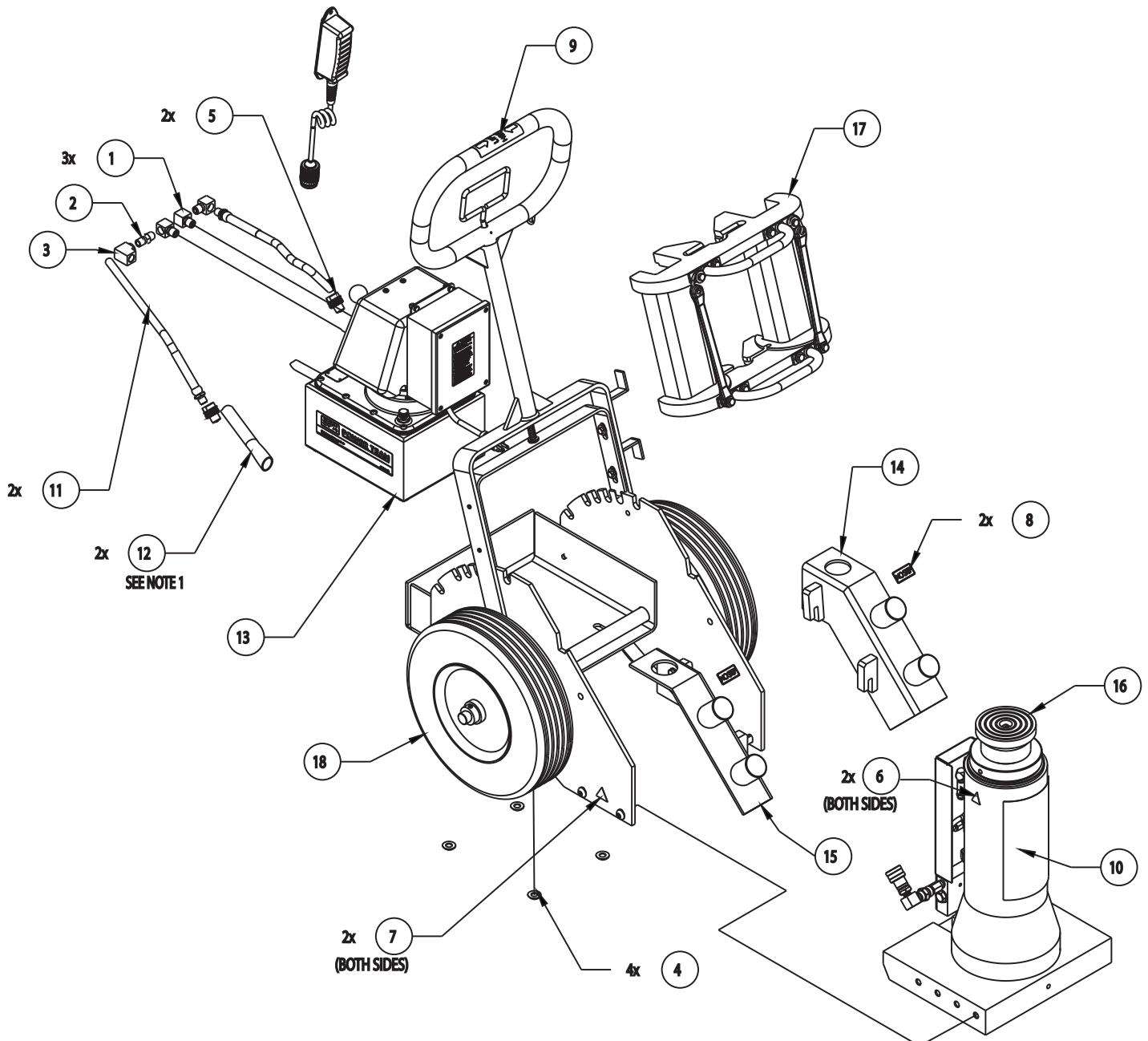


ELECTRIC RJ SERIES RAIL JACKS

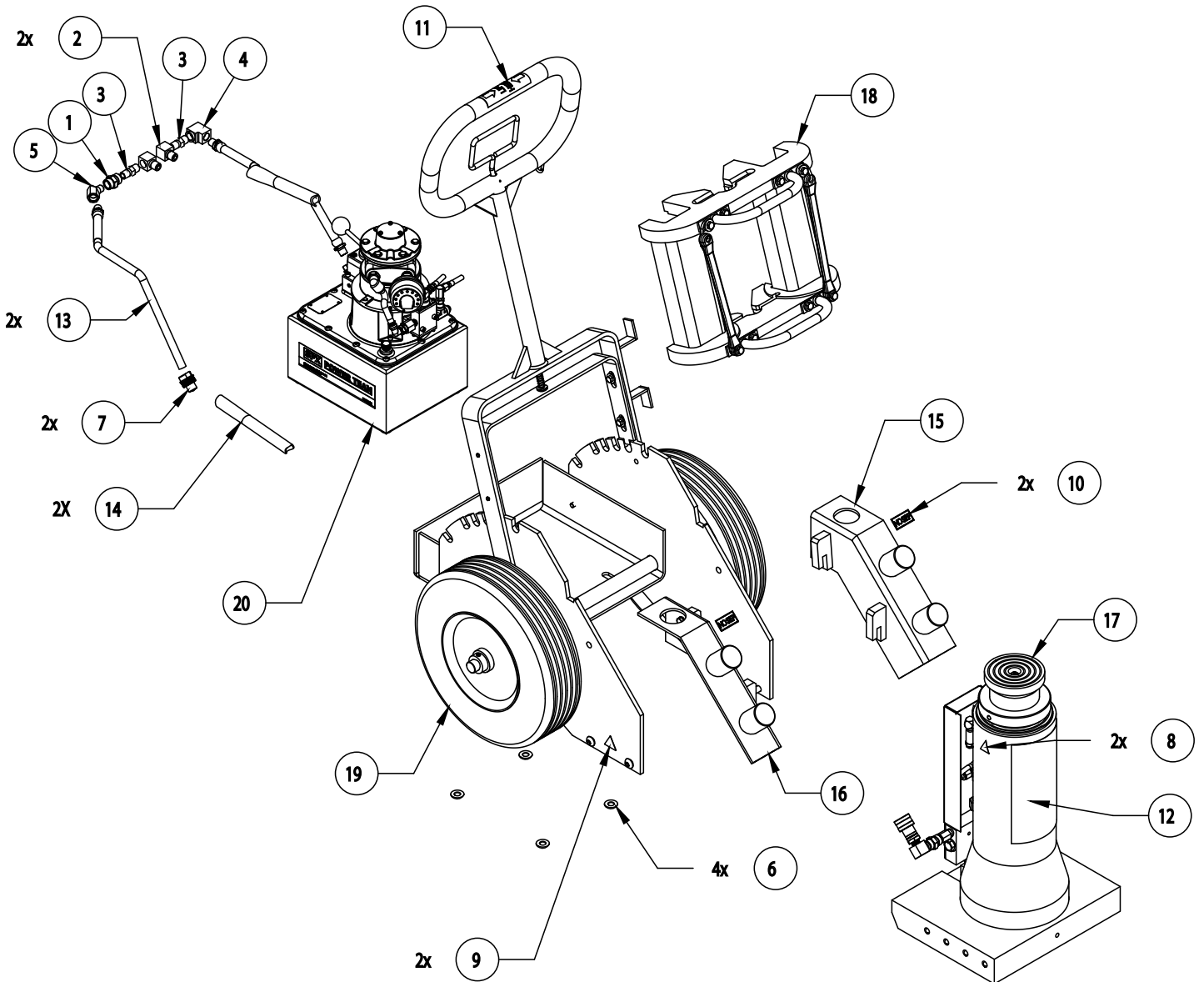


RJ100T24E - JACK, 100T RR 24 IN RETR HT ELEC (LIST)

ITEM NO.	PART NUMBER	DESCRIPTION	QTY.
1	9681	STREET, ELBOW, 3/8 NPTF	3
2	9682	FITTING, STR 3/8 NPTF M x 3/8 NPTF M	1
3	9686	FITTING, 90D ELB 3/8 NPTF x 3/8 NPTF F	1
4	12004	WASHER	4
5	25599	COUPLER, QD 3/8INT NPTF X 1/4 HOSE	2
6	251057	DECAL, WARNING PINCH POINT	2
7	253583	DECAL, WARNING PINCH POINT	2
8	1000801	DECAL, NO STEP	2
9	1000861	DECAL, LIFT HERE 5 x 2	1
10	1000898	DECAL, 100 TON CAPACITY	1
11	2008359	HOSE, HYDRAULIC 1/4ID, WIRE BRAID, 19IN	2
12	2008543	SLEEVE, SILICA - HI TEMP	2
13	3000727	PUMP, ELEC/HYD 4W 110/115V 50/60 Hz	1
14	3000732	TRAY, ASSY LEFT SIDE	1
15	3000733	TRAY, ASSY RIGHT SIDE	1
16	SEE BELOW	CYLINDER ASSY - 14.0 IN 100T	1
17	3000737	CRIBBING, ASSY BLOCK HOLDER	1
18	3000742	CART, BASE ASSY	1

JACK MODEL	DESCRIPTION	ITEM 16
RJ100T24E	JACK, 100T RR 24 IN RETR HT ELEC	3000735
RJ100T37E	JACK, 100T RR 37 IN RETR HT ELEC	3000743

AIR RJ SERIES RAIL JACKS

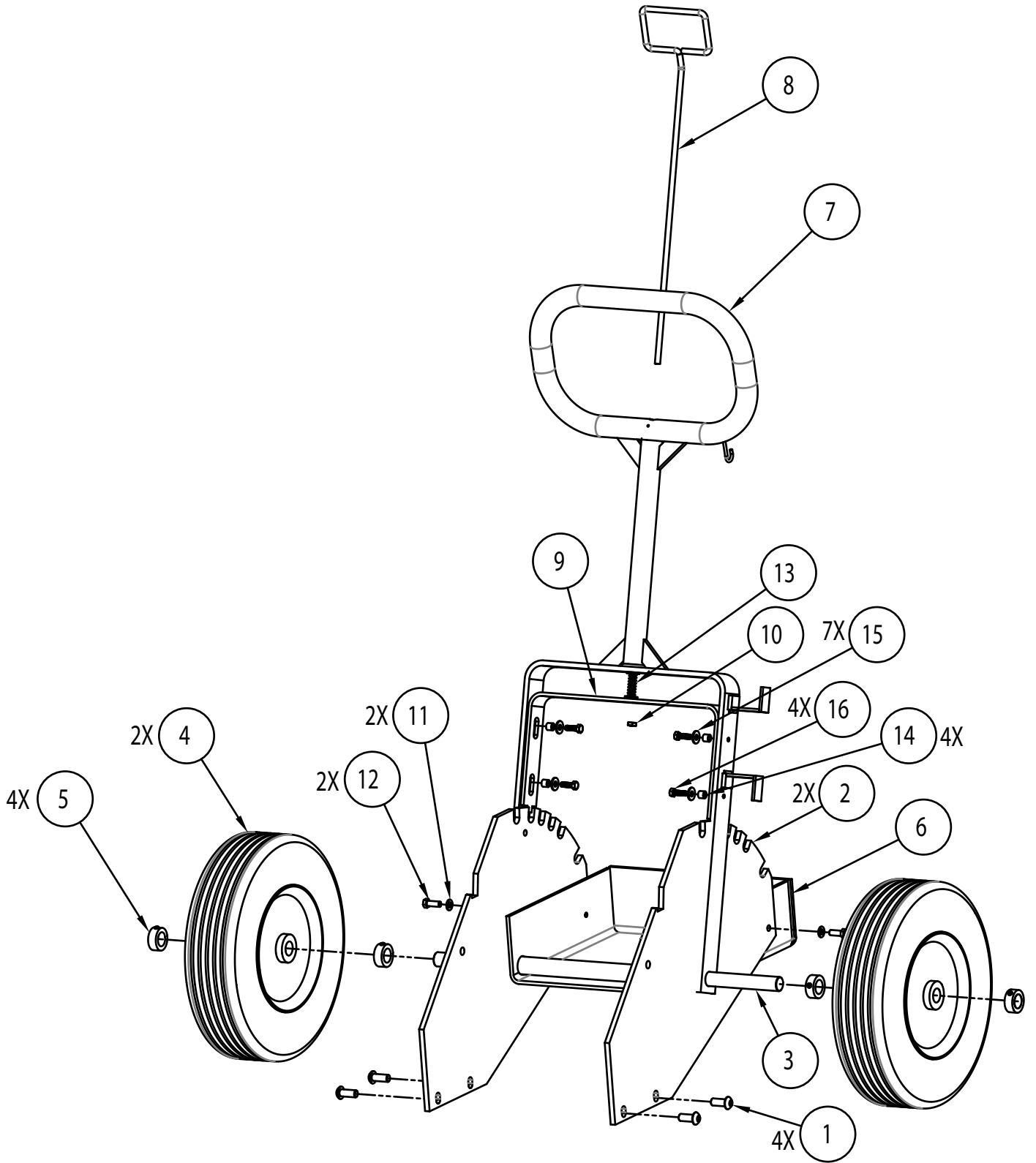


RJ100T24A - JACK, 100T RR 24 IN RETR HT AIR (LIST)

ITEM NO.	PART NUMBER	DESCRIPTION	QTY.
1	9680	FITTING, STRAIGHT - 3/8 NPTF F x 3/8 NPTF F	1
2	9681	STREET, ELBOW, 3/8 NPTF	2
3	9682	FITTING, STR 3/8 NPTF M x 3/8 NPTF M	2
4	9686	FITTING, 90D ELB 3/8 NPTF x 3/8 NPTF F	1
5	10622	FITTING, 45D ELB 3/8 NPTF M x 3/8 NPTF F	1
6	12004	WASHER	4
7	25599	COUPLER, QD 3/8INT NPTF X 1/4 HOSE	2
8	251057	DECAL, WARNING PINCH POINT	2
9	253583	DECAL, WARNING PINCH POINT	2
10	1000801	DECAL, NO STEP	2
11	1000861	DECAL, LIFT HERE 5 x 2	1
12	1000898	DECAL, 100 TON CAPACITY	1
13	2008359	HOSE, HYDRAULIC 1/4ID, WIRE BRAID, 19IN	2
14	2008543	SLEEVE, SILICA - HI TEMP	2
15	3000732	TRAY, ASSY LEFT SIDE	1
16	3000733	TRAY, ASSY RIGHT SIDE	1
17	SEE BELOW	CYLINDER ASSY - 14.0 IN 100T	1
18	3000737	CRIBBING, ASSY BLOCK HOLDER	1
19	3000742	CART, BASE ASSY	1
20	3000757	PUMP, AIR / HYDRAULIC	1

JACK MODEL	DESCRIPTION	ITEM 17
RJ100T24A	JACK, 100T RR 24 IN RETR HT AIR	3000735
RJ100T37A	JACK, 100T RR 37 IN RETR HT AIR	3000743

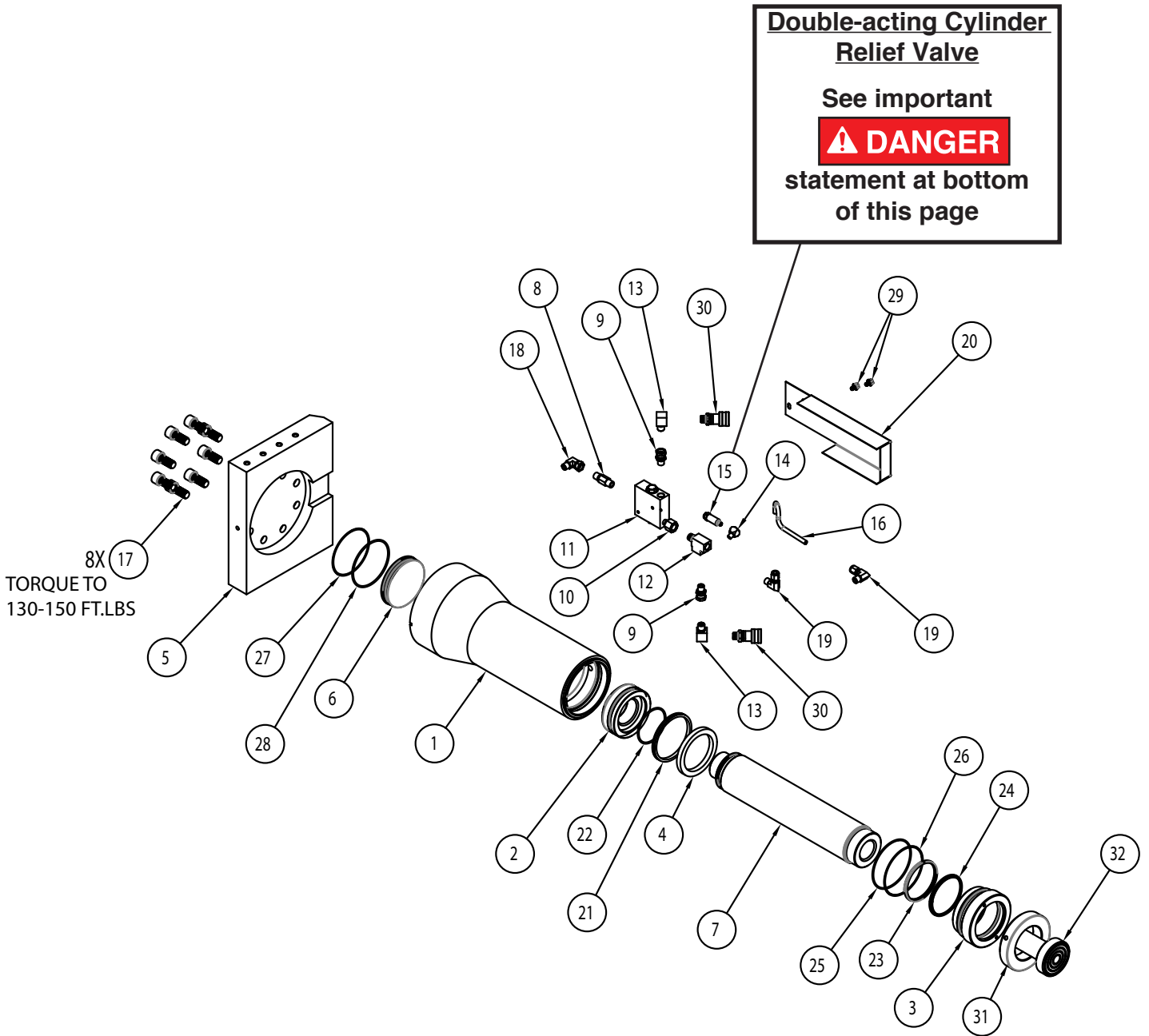
3000742 - BASE CART ASSEMBLY (DIAGRAM)



3000742 - BASE CART ASSEMBLY (LIST)

ITEM NO.	PART NUMBER	DESCRIPTION	QTY.
1	252278	SCREW, BUTTON 1/2-13 X 1-1/4	4
2	2008332	PLATE, CART SIDE	2
3	253550	AXLE	1
4	252258	TIRE AND WHEEL ASSEMBLY	2
5	252259	COLLAR, SHAFT	4
6	421783OR9	PLATE, PUMP MOTOR	1
7	2008347	WELDMENT, HANDLE	1
8	351811	LEVER, RELEASE	1
9	421785	LEVER, LOCKING	1
10	12724	LOCKNUT, 3/8-24	1
11	252169	WASHER, PLAIN, SPECIAL	2
12	10049	HEX HEAD CAP SCREW - 3/8-16 x 1	2
13	252452	SPRING, OD.514ID.314R145L2.612	1
14	253546	SPACER	4
15	10230	WASHER, PLAIN 0.38 x 0.89 x 0.08 STEEL	7
16	10032	SCREW, HEX HD CAP - 5/16-18 x 1	4

3000735 - CYLINDER ASSEMBLY 24" (DIAGRAM)



⚠ DANGER To help avoid possible serious personal injury or death:

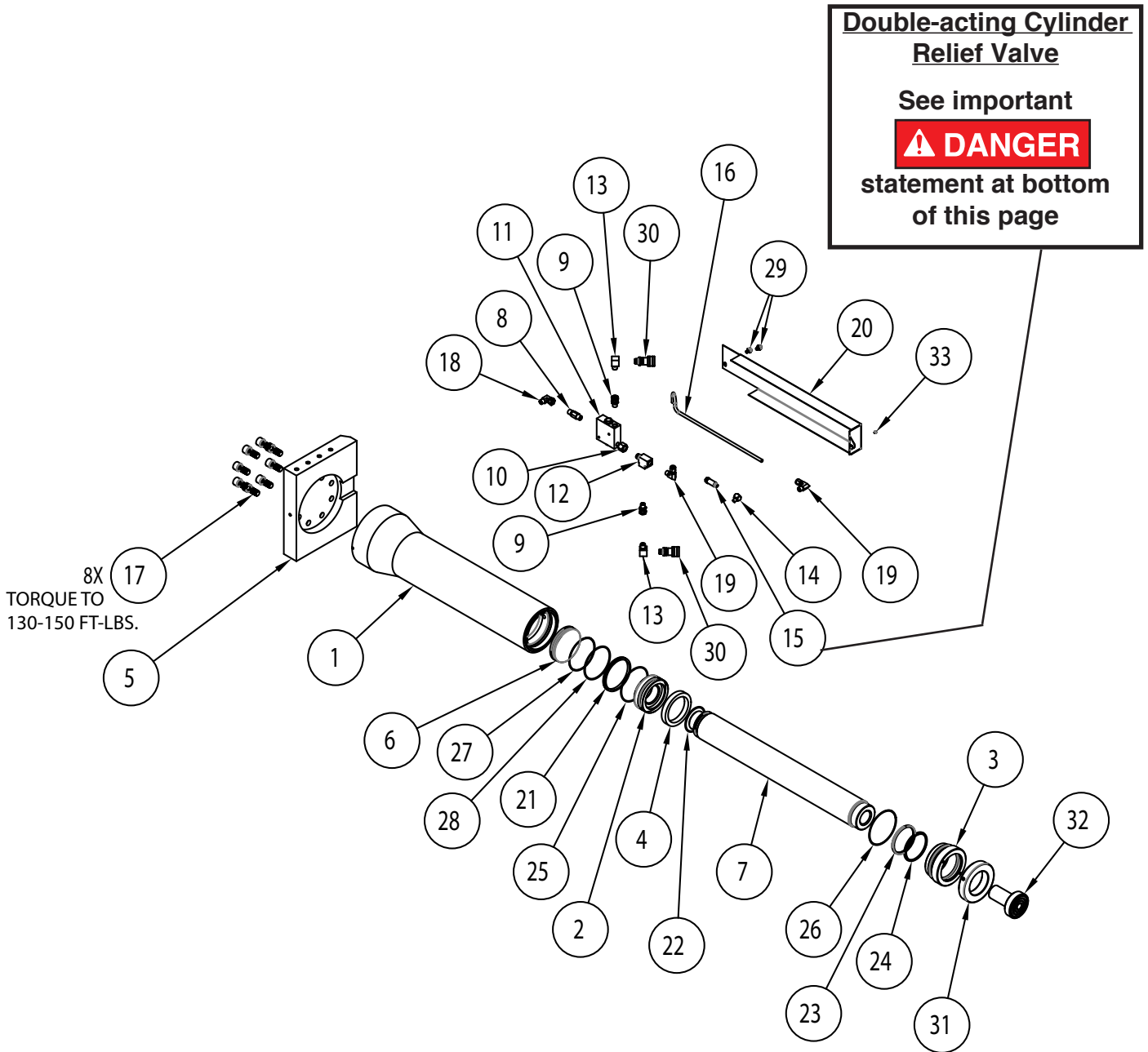
- In the event that the cylinder retract port is ever restricted or plugged, a double-acting cylinder relief valve will help prevent excessive pressure from building in the cylinder. **DO NOT** attempt to adjust or service this relief valve! If oil leakage is detected from this relief valve, discontinue use of the cylinder immediately and contact Power Team Technical Services. Only Power Team Authorized Hydraulic Service Centers should service this relief valve.

3000735 - CYLINDER ASSEMBLY 24" (LIST)

ITEM NO.	PART NUMBER	DESCRIPTION	QTY.
1	2008341	BODY, CYL 14IN. 100 TON DA	1
2	59271	PISTON HEAD	1
3	2008338	NUT, CYLINDER RETAINER	1
4	2008345	SPACER, INTERNAL CYLINDER 100 TON	1
5	2008340	PLATE, CYL MOUNTING 14 3/4 X 12	1
6	2008339	PLUG, ORING	1
7	2008344	ROD, 14IN 100T DA ST CR	1
8	9683	STRAIGHT FITTING 3/8 NPTF M	1
9	9675	FITTING, STR 3/8 NPTF M x 3/8 NPSM F	2
10	9689	STRAIGHT FITTING	1
11	351239	VALVE ASS'Y, COUNTERBALANCE	1
12	9672	FITTING, TEE	1
13	9681	STREET, ELBOW, 3/8 NPTF	2
14	24730	FITTING, 90D ELB 1/8 NPTF M x 1/8 NPTF F	1
15	3000377	RELIEF VALVE ASSEMBLY	1
16	2008343	TUBE, OIL LINE	1
17	252280	SCREW, SHC 3/4-10 X 1.75	8
18	10470	FITTING, ELBOW 90 - 3/8 TUBE 3/8 NPSM	1
19	10666	FITTING, ELBOW 90 - 3/8 TUBE 3/8 NPTF	2
20	421343OR9	SHROUD	1
21	19207 *	T SEAL, 5.13 X 4.63 X .36 L	1
22	11924 *	O-RING (-027) 1.301ID X 0.070 NITRILE 70	1
23	214496 *	T SEAL, 4.38 X 4.00 X .28 L	1
24	214497 *	WIPER, ROD 4.43 X 4.00 URE	1
25	253145 *	O-RING (-251)	1
26	2008342 *	RING, BACK-UP SOLID (-251)	1
27	19174 *	WASHER, O-RING BACK-UP 5.12 X 4.88 X .048	1
28	10886 *	O-RING (-249) 4.875ID X 0.070 NITRILE 70	1
29	15273	SCREW, FLG HEX - 5/16-18 x 0.5	2
30	25600-1	COUPLER, HYD 3/8" NPTF F	2
31	2008337	RING, LOCKING	1
32	2008336	CAP, NON SWIVEL TOP	1

Part numbers with an asterisk (*) are contained in repair kit No. 3000957

3000743 - CYLINDER ASSEMBLY 37" (DIAGRAM)



⚠ DANGER

To help avoid possible serious personal injury or death:

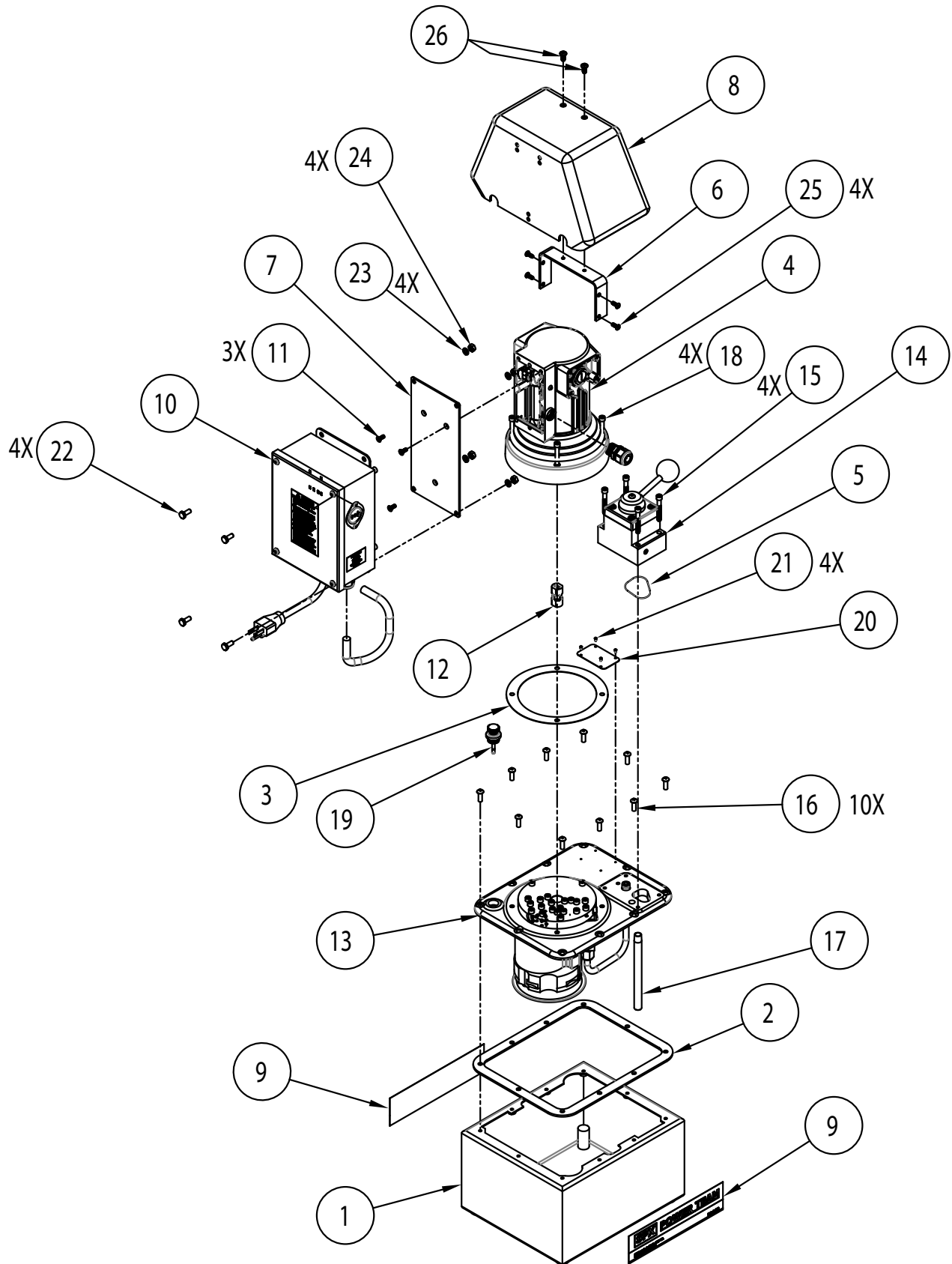
- In the event that the cylinder retract port is ever restricted or plugged, a double-acting cylinder relief valve will help prevent excessive pressure from building in the cylinder. **DO NOT** attempt to adjust or service this relief valve! If oil leakage is detected from this relief valve, discontinue use of the cylinder immediately and contact Power Team Technical Services. Only Power Team Authorized Hydraulic Service Centers should service this relief valve.

3000743 - CYLINDER ASSEMBLY 37" (LIST)

ITEM NO.	PART NUMBER	DESCRIPTION	QTY.
1	2008368	BODY, CYL 27IN. 100 TON DA	1
2	59271	PISTON HEAD	1
3	2008338	NUT, CYLINDER RETAINER	1
4	2008373	SPACER, INTERNAL CYLINDER 100T	1
5	2008340	PLATE, CYL MOUNTING 14 3/4 X 12	1
6	2008339	PLUG, ORING	1
7	2008369	ROD, 27IN 100T DA ST CR	1
8	9683	STRAIGHT FITTING 3/8 NPTF M	1
9	9675	FITTING, STR 3/8 NPTF M x 3/8 NPSM F	2
10	9689	FITTING, STRAIGHT 1/4" NPTF M X 3/8" NPTF F	1
11	351239	VALVE ASS'Y, COUNTERBALANCE	1
12	9672	FITTING, TEE	1
13	9681	STREET, ELBOW, 3/8 NPTF	2
14	24730	FITTING, 90D ELB 1/8 NPTF M x 1/8 NPTF F	1
15	3000377	RELIEF VALVE ASSEMBLY	1
16	2008366	TUBE, OIL LINE	1
17	252280	SCREW, SHC 3/4-10 X 1.75	8
18	10470	FITTING, ELBOW 90 - 3/8 TUBE 3/8 NPSM	1
19	10666	FITTING, ELBOW 90 - 3/8 TUBE 3/8 NPTF	2
20	2008367	SHROUD	1
21	19207 *	T SEAL, 5.13 X 4.63 X .36 L	1
22	11924 *	O-RING (-027) 1.301ID X 0.070 NITRILE 70	1
23	214496 *	T SEAL, 4.38 X 4.00 X .28 L	1
24	214497 *	WIPER, ROD 4.43 X 4.00 URE	1
25	253145 *	O-RING (-251)	1
26	2008342 *	RING, BACK-UP SOLID (-251)	1
27	19174 *	WASHER, O-RING BACK-UP 5.12 X 4.88 X .048	1
28	10886 *	O-RING (-249) 4.875ID X 0.070 NITRILE 70	1
29	15273	SCREW, FLG HEX - 5/16-18 x 0.5	2
30	25600-1	COUPLER, HYD 3/8" NPTF F	2
31	2008337	RING, LOCKING	1
32	2008336	CAP, NON SWIVEL TOP	1
33	2008370	SCREW, #8-32 UNC 0.1875 IN PNHS ST 2N	1

Part numbers with an asterisk (*) are contained in repair kit No. 3000957

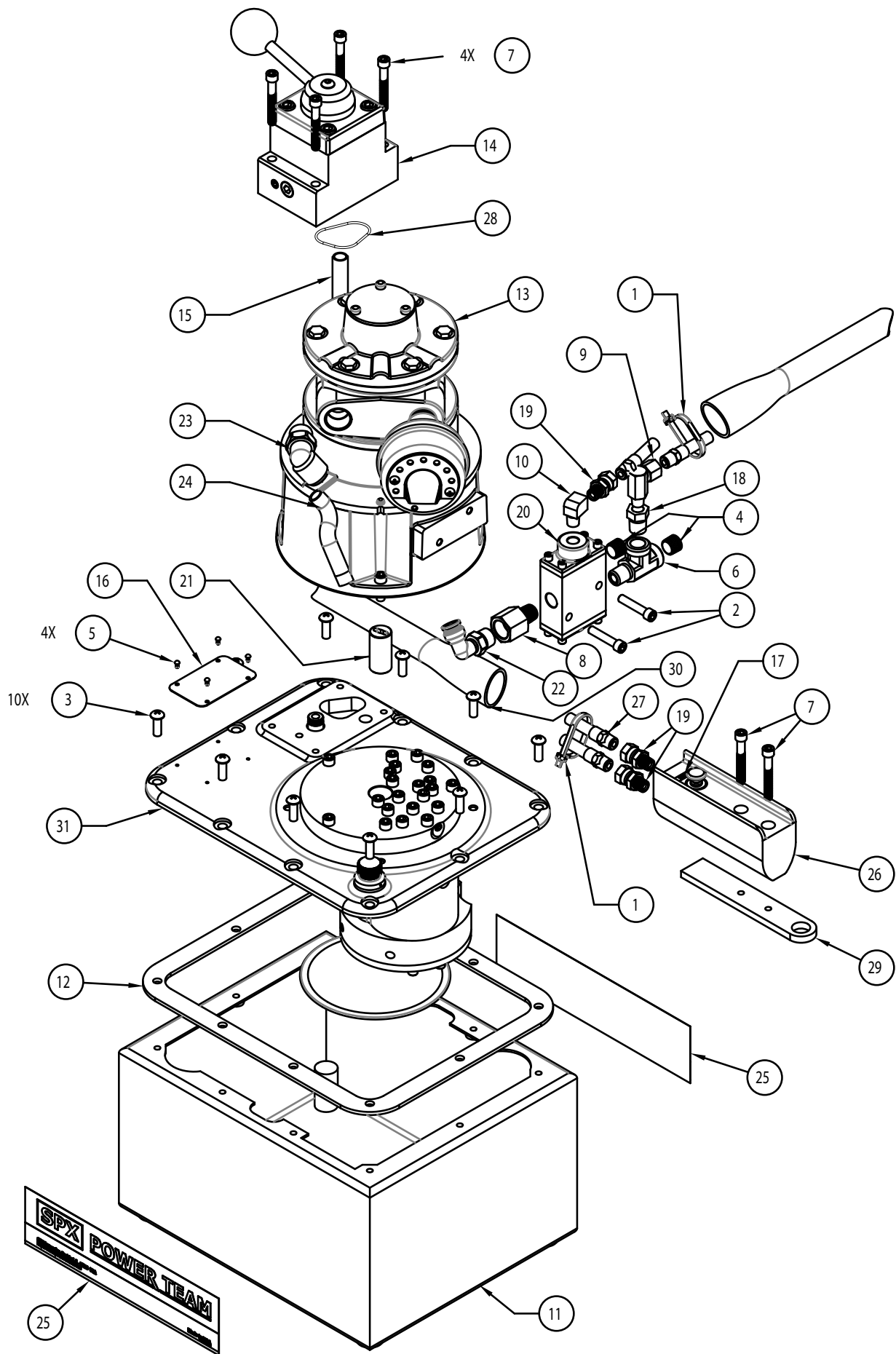
3000727 - ELECTRIC PUMP ASSEMBLY (DIAGRAM)



3000727 - ELECTRIC PUMP ASSEMBLY (LIST)

ITEM NO.	PART NUMBER	DESCRIPTION	QTY.
1	40063OR9	TANK PT 02.00 GAL STEL OR9 VERT WELD 11.	1
2	40164	GASKET, RESERVOIR RECT	1
3	30650	GASKET, MOTOR BASE BUNA	1
4	65249	UNIVERSAL MOTOR ASSEMBLY 12,000 RPM, 115V	1
5	2009312	O-RING, -030 1.625 X 0.062 X 15 NITRILE 70	1
6	421212	BRACKET	1
7	59185	BRACKET, MOUNTING	1
8	65053	COVER, PLASTIC PE55 WEATHER WHITE	1
9	309219	DECAL, TRADENAME POWER TEAM BLANK	2
10	3000739	CONTROL, MOTOR ASSY 110/115V	1
11	252529	SCREW, HEX SOCKET FLAT HD #10-24 x 0.5	3
12	21091	COUPLING, DRIVE	1
13	3000738	COVERPLATE ASSEMBLY	1
14	59323	VALVE, MANUAL (4 WAY TANDEM CENTER)	1
15	10854	10-32 Socket Head Cap Screw	4
16	10177	SCREW. RND 1/4-20 X 0.75	10
17	200609	TUBE, DRAIN .50 OD X 6.00	1
18	10022	SCREW, SHC 1/4-20x1.5	4
19	3000628	STICK, DIP	1
20	202120	PLATE, NAME	1
21	10575	SCREW, ROUND HD DRIVE	4
22	12825	SCREW, HEX CAP 1/4-20 X 0.63	4
23	10245	WASHER, LOCK 0.490 x0.260	4
24	10199	NUT, HEX 1/4-20	4
25	251486	SCREW, BUTTON - #10-24 X 0.500	4
26	251437	SCREW, BUTTON 1/4-20 X 0.50	2

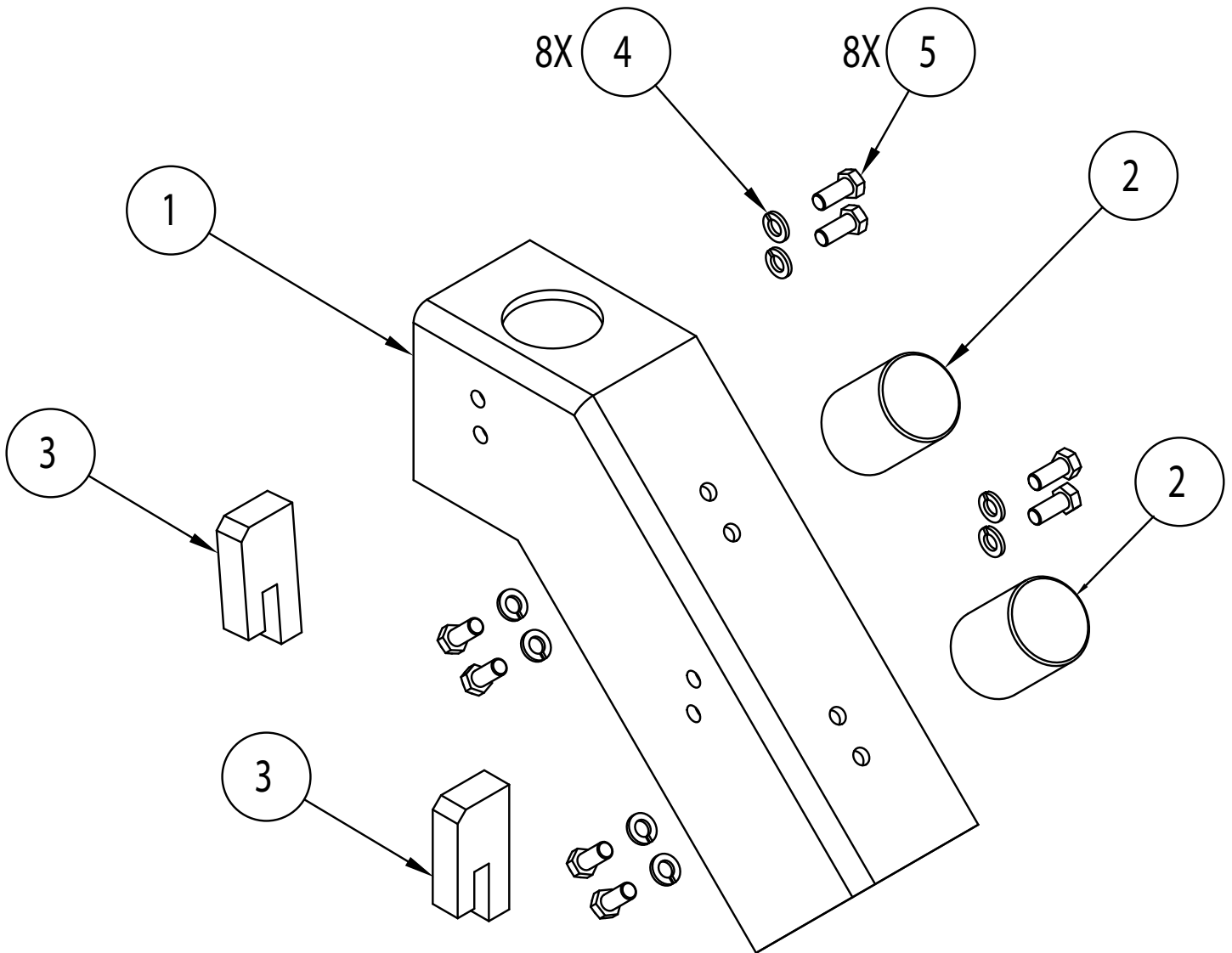
3000757 - AIR PUMP ASSEMBLY (DIAGRAM)



3000757 - AIR PUMP ASSEMBLY (LIST)

ITEM NO.	PART NUMBER	DESCRIPTION	QTY.
1	4226-AA	CABLE TIE 8" LONG WHITE	3
2	10020	SCREW, SOCKET HD CAP 1/4 - 20 X 1 1/4	2
3	10177	SCREW. RND 1/4-20 X 0.75	10
4	10479	FITTING, PLUG - 1/4 NPTF	2
5	10575	SCREW, ROUND HD DRIVE	4
6	10618	FITTING, TEE 1/4 NPTF M X (2) 1/4 NPTF F	1
7	10854	10-32 Socket Head Cap Screw	6
8	13888	FITTING, STRAIGHT - MALE P.T. TO FEMALE P.T.	1
9	14440	FITTING, 90D ELB 1/8 NPTF M x 1/8 NPSM F	1
10	14680	FITTING, ELBOW 90 DEGREE	1
11	40063OR9	TANK PT 02.00 GAL STEL OR9 VERT WELD 11.	1
12	40164	GASKET, RESERVOIR RECT	1
13	58820	AIR MOTOR ASSEMBLY	1
14	59323	VALVE, MANUAL (4 WAY TANDEM CENTER)	1
15	200609	TUBE, DRAIN .50 OD X 6.00	1
16	202120	PLATE, NAME	1
17	203770	DECAL, LABEL RUN	1
18	206324	FITTING, STR 1/4 NPTF M x 1/8 NPTF F	1
19	208218	FITTING, STR 1/8 NPTF M x 1/8 NPSM F	3
20	212404	VALVE, AIR OPERATED 3 WAY	1
21	251206	COUPLING	1
22	252176	FITTING, 90 DEG ELBOW - 3/8 NPTF x 3/8 TUBE	1
23	252177	FITTING, 90D ELB 1/2 NPTF M x 3/8 TUBE	1
24	252226	TUBING, NYLON 3/8 OD	1
25	309219	DECAL, TRADENAME POWER TEAM BLANK	2
26	421339	CONTROL, AIR OPERATED HAND	1
27	421340	ASSY, PNEUMATIC HOSE (TWO STRAND)	1
28	2009312	O-RING, -030 1.625 X 0.062 X 15 NITRILE 70	1
29	2008371	BRACKET, REMOTE	1
30	2008543	SLEEVE, SILICA - HI TEMP - 1 x 3/32 - CUT TO LENGTH	25 FT
31	3000763	COVERPLATE ASSY - 10,000 PSI	1

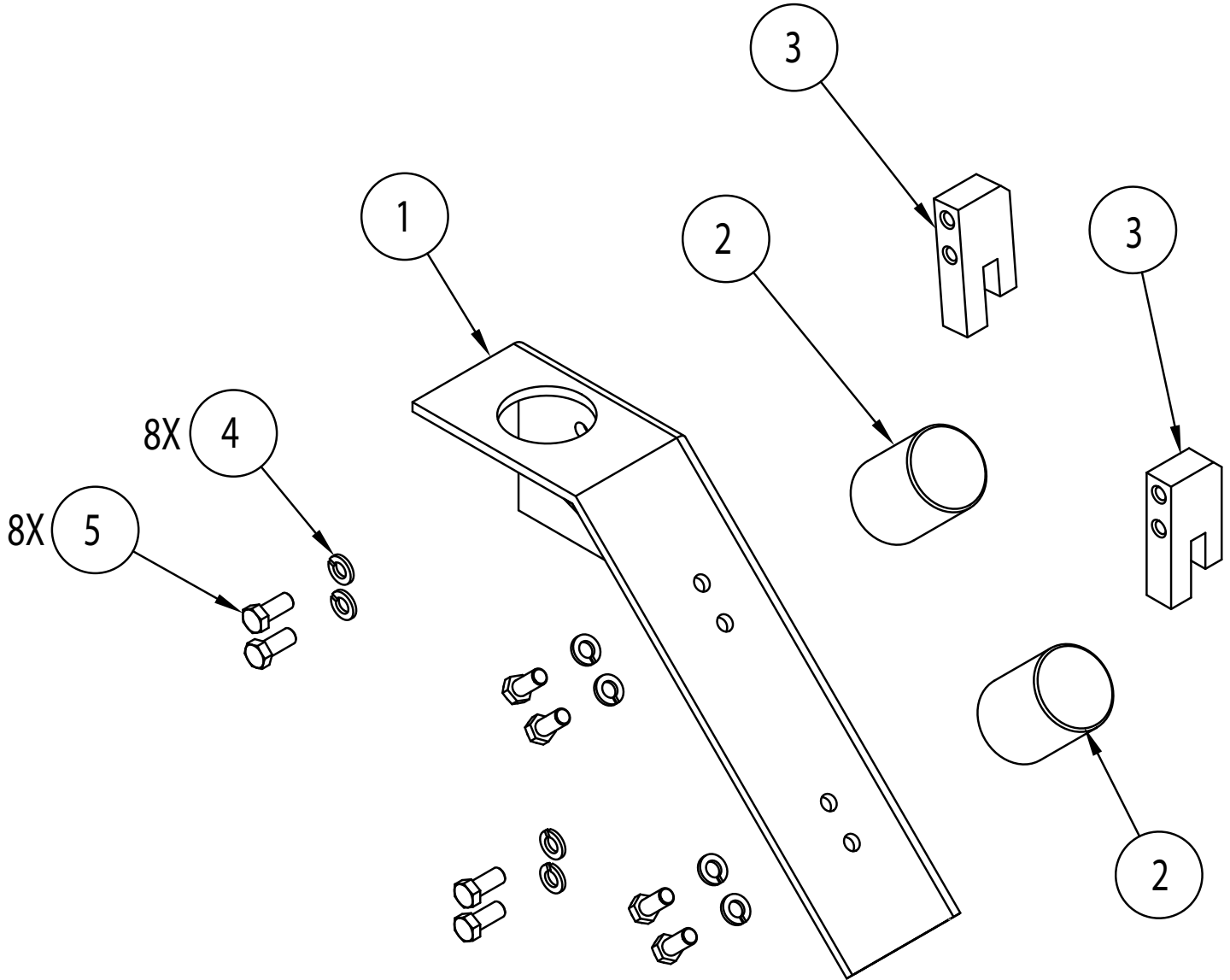
3000732 - LEFT SIDE TRAY ASSEMBLY (DIAGRAM)



3000732 - LEFT SIDE TRAY ASSEMBLY (LIST)

ITEM NO.	PART NUMBER	DESCRIPTION	QTY.
1	2008329	TRAY, LEFT SIDE	1
2	2008333	GUIDE, SPACER	2
3	2008334	MOUNT, SIDE TRAY	2
4	10247	WASHER, LOCK 0.680 x0.390	8
5	10048	HEX HEAD CAP SCREW - 3/8-16 x .875	8

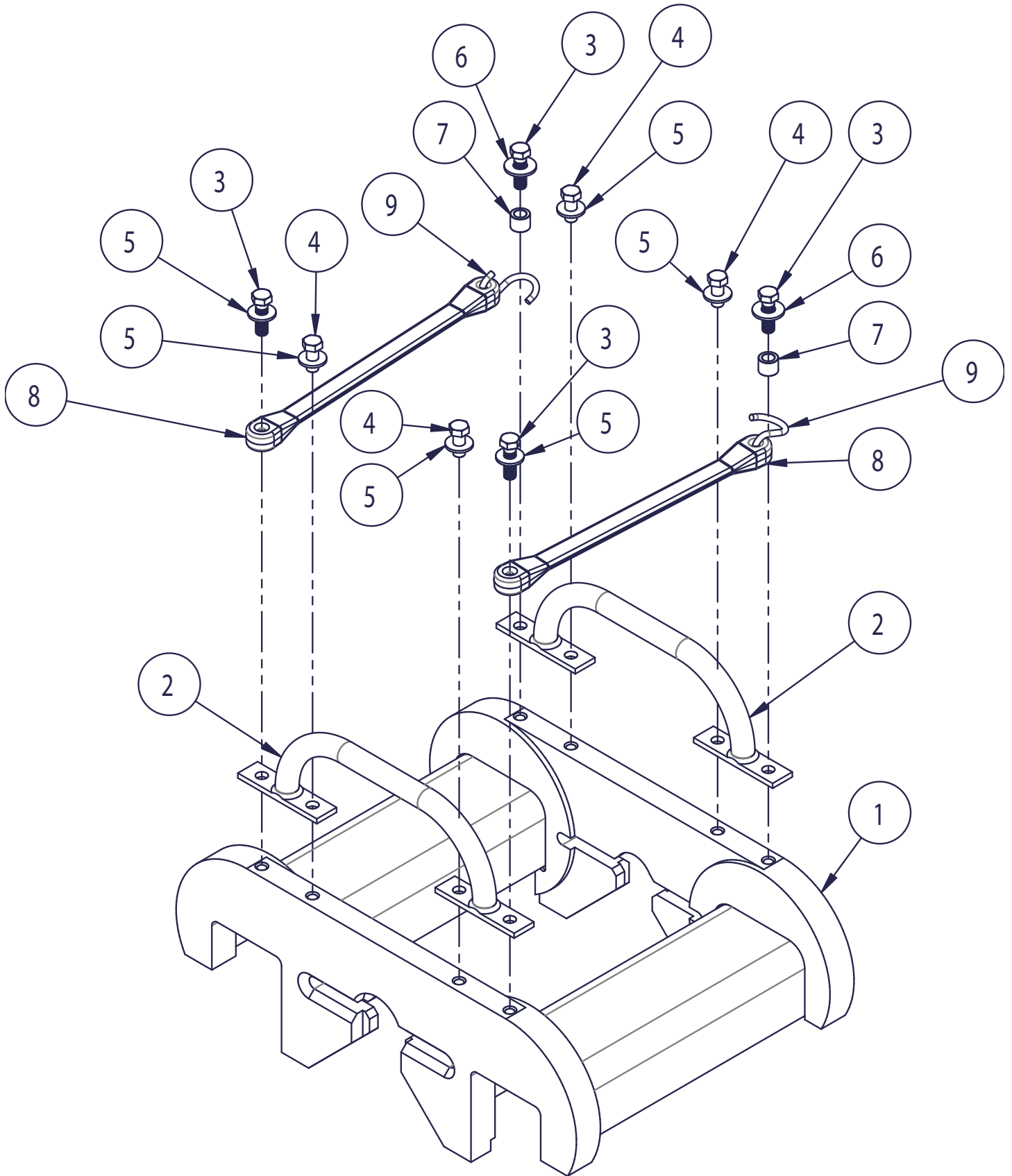
3000733 - RIGHT SIDE TRAY ASSEMBLY (DIAGRAM)



3000733 - RIGHT SIDE TRAY ASSEMBLY (LIST)

ITEM NO.	PART NUMBER	DESCRIPTION	QTY.
1	2008328	TRAY, RIGHT SIDE	1
2	2008333	GUIDE, SPACER	2
3	2008334	MOUNT, SIDE TRAY	2
4	10247	WASHER, LOCK 0.680 x0.390	8
5	10048	HEX HEAD CAP SCREW - 3/8-16 x .875	8

3000737 - CRIBBING BLOCK HOLDER ASSEMBLY (DIAGRAM)



3000737 - CRIBBING BLOCK HOLDER ASSEMBLY (LIST)

ITEM NO.	PART NUMBER	DESCRIPTION	QTY.
1	3000736	WELDMENT, CRIB BLK HOLDER	1
2	2008353	HANDLE, CRIB BLOCK HOLDER	2
3	10052	SCREW, HEX HEAD CAP - 3/8-16 UNC x 1-1/4	4
4	10048	HEX HEAD CAP SCREW - 3/8-16 x .875	4
5	10230	WASHER, PLAIN 0.38 x 0.89 x 0.08 STEEL	6
6	10231	WASHER, PLAIN, 1.012 X .443 X .084	2
7	204238	SPACER 0.39 x 0.63 x 0.5	2
8	2008590	STRAP, RUBBER - 10"	2
9	2008591	HOOK, S - RAIL JACK CRIBBING HOLDER	2