

## 3" Drop Elbows (Tight Fill Couplers)

### Complete Units

**Features:**

- aluminum body
- brass handle and cam arms with buna gasket
- steel bolts on inlet end
- plexiglass sight flow insert with buna seals

Coupler Size	Inlet	Aluminum	
		Part #	Price/E
3"	3" male adapter	<b>300300MAE</b>	<b>\$694.00</b>
3"	4" male adapter	<b>3004030MAE</b>	<b>726.00</b>

### Coupler Body



#### plunger type handle

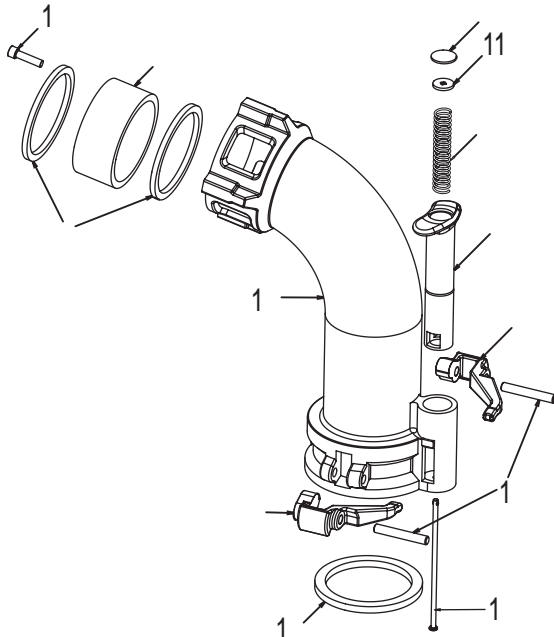
Size	Aluminum	
	Part #	Price/E
3"	<b>300-TFG</b>	<b>\$650.00</b>

### Inlet Ends



Inlet	Inlet	Aluminum	
		Part #	Price/E
3"	male adapter	<b>300-MAE</b>	<b>\$71.00</b>
4"	male adapter	<b>4030-MAE</b>	<b>105.00</b>

### Parts List



Item #	Description	Part #	Price/E
1	screw-inlet end	<b>P3-TFG-1</b>	<b>\$1.50</b>
2	plexiglass-shell only	<b>P3-TFG-2</b>	<b>33.00</b>
3	plunger	<b>P3-TFG-3</b>	<b>67.00</b>
5	plunger cap	<b>P3-TFG-5</b>	<b>5.50</b>
6	spring	<b>P3-TFG-6</b>	<b>6.80</b>
7	plexiglass gasket	<b>P3-TFG-7</b>	<b>3.50</b>
8	right cam arm	<b>P3-TFG-8</b>	<b>56.00</b>
9	left cam arm	<b>P3-TFG-9</b>	<b>56.00</b>
10	rod	<b>P3-TFG-10</b>	<b>11.50</b>
11	disc	<b>P3-TFG-11</b>	<b>9.50</b>
12	pin	<b>300-P</b>	<b>2.25</b>
13	coupler gasket	<b>300-G-BU</b>	<b>1.55</b>
14	body	<b>P3-TFG-13</b>	<b>---</b>