



FEATURES

Impeller: Cast iron, semi-open, non-clog with pump-out vanes for mechanical seal protection. Balanced for smooth operation. Silicon bronze impeller available as an option.

Casing: Cast iron volute type for maximum efficiency. 2" NPT discharge.

Mechanical Seal: Silicon Carbide vs. Silicon Carbide sealing faces. Stainless steel metal parts, BUNA-N elastomers.

Shaft: Corrosion-resistant, stainless steel. Threaded design. Locknut on all models to guard against component damage on accidental reverse rotation.

Fasteners: 300 series stainless steel.

Capable of running dry without damage to components.

Designed for continuous operation when fully submerged.

2EC

SUBMERSIBLE EFFLUENT PUMP



Bell & Gossett

a xylem brand

Wastewater

APPLICATIONS

Specifically designed for the following uses:

- Homes, Farms, Trailer Courts, Motels, Schools, Hospitals, Industry, Effluent Systems

SPECIFICATIONS

Pump

- Solids handling capabilities: $\frac{3}{4}$ " maximum
- Discharge size: 2" NPT
- Capacities: up to 140 GPM
- Total heads: up to 128 feet TDH
- Temperature: 104°F (40°C) continuous, 140°F (60°C) intermittent
- See order numbers on reverse side for specific HP, voltage, phase and RPM's available.

MOTORS

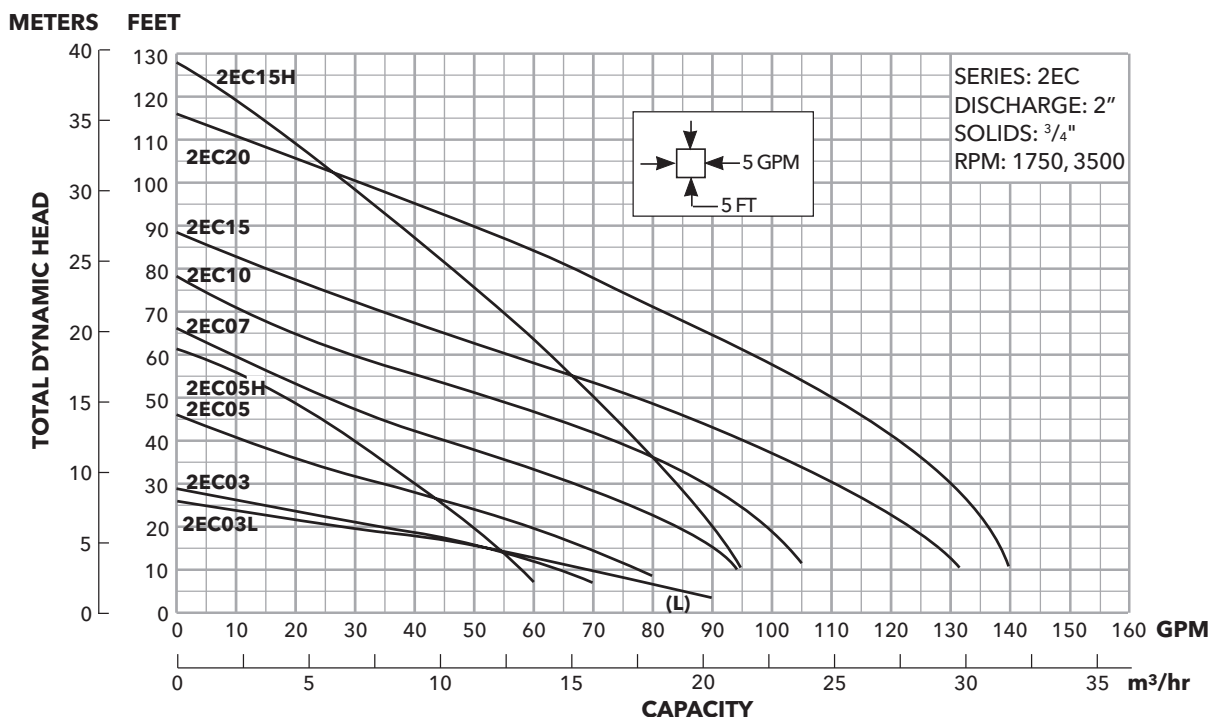
- Fully submerged in high-grade turbine oil for lubrication and efficient heat transfer.
- Class B insulation on $\frac{1}{3}$ - 1½ HP models
- Class F insulation on 2 HP models

Single phase (60 Hz):

- Capacitor start motors for maximum starting torque
- Built-in overload with automatic reset
- SJTOW or STOW severe duty oil and water resistant power cords.
- $\frac{1}{3}$ - 1 HP models have NEMA three prong grounding plugs.
- 1½ HP and larger units have bare lead cord ends.

Three phase (60 Hz):

- Class 10 overload protection must be provided in separately ordered starter unit.
- STOW power cords all have bare lead cord ends.
- **Designed for Continuous Operation:** Pump ratings are within the motor manufacturer's recommended working limits, can be operated continuously without damage when fully submerged.
- **Bearings:** Upper and lower heavy duty ball bearing construction.
- **Power Cable:** Severe duty rated, oil and water resistant. Epoxy seal on motor end provides secondary moisture barrier in case of outer jacket damage and to prevent oil wicking. Standard cord is 20'. Optional lengths are available.
- **O-ring:** Assures positive sealing against contaminants and oil leakage.



Wastewater

MODELS

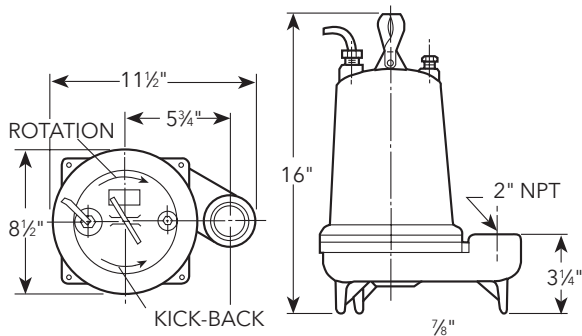
Order Number	HP	Phase	Volts	RPM	Impeller Diameter (in.)	Maximum Amps	Locked Rotor Amps	KVA Code	Full Load Efficiency %	Resistance		Power Cable Size	Weight (lbs.)	
										Start	Line-Line			
2EC0311L	0.33	1	115	1750	5.38	10.7	30.0	M	54	11.9	1.7	16/3	56	
2EC0318L			208			6.8	19.5	K	51	9.1	4.2			
2EC0312L			230			4.9	14.1	L	53	14.5	8.0			
2EC0311			115			10.7	30.0	M	54	11.9	1.7			
2EC0318			208			6.8	19.5	K	51	9.1	4.2			
2EC0312			230			4.9	14.1	L	53	14.5	8.0			
2EC0511	0.5	1	115	3450	3.56	14.5	46.0	M	54	7.5	1.0	14/3	60	
2EC0518			208			8.1	31.0	K	68	9.7	2.4	16/3	60	
2EC0512			230			7.3	34.5	M	53	9.6	4.0	14/4	60	
2EC0538			3			200	4.9	22.6	R	68	NA	3.8	14/4	60
2EC0532						230	3.3	18.8	R	70	NA	5.8		
2EC0534						460	1.7	9.4	R	70	NA	23.2		
2EC0537	575	1.4	7.5	R	62	NA	35.3	14/3	60					
2EC0511H	0.5	1	115	3450	3.88	14.5	46.0	M	54	7.5	1.0	14/3	60	
2EC0518H			208			8.1	31.0	K	68	9.7	2.4	16/3	60	
2EC0512H			230			7.3	34.5	M	53	9.6	4.0	14/4	60	
2EC0538H		3	200			4.9	22.6	R	68	NA	3.8	14/4	60	
2EC0532H			230			3.6	18.8	R	70	NA	5.8			
2EC0534H			460			1.8	9.4	R	70	NA	23.2			
2EC0537H	575	1.5	7.5	R	62	NA	35.3	14/3	70					
2EC0718	0.75	1	208	3450	4.06	11.0	31.0	K	68	9.7	2.4	14/3	70	
2EC0712			230			10.0	27.5	J	65	12.2	2.7			
2EC0738		3	200			6.2	20.6	L	64	NA	5.7	14/4		70
2EC0732			230			5.4	15.7	K	68	NA	8.6			
2EC0734			460			2.7	7.9	K	68	NA	34.2			
2EC0737			575			2.2	9.9	L	78	NA	26.5			
2EC1018	1	1	208	3450	4.44	14.0	59.0	K	68	9.3	1.1	14/3	70	
2EC1012			230			12.5	36.2	J	69	10.3	2.1	14/4	70	
2EC1038		3	200			8.1	37.6	M	77	NA	2.7			
2EC1032			230			7.0	24.1	L	79	NA	4.1			
2EC1034			460			3.5	12.1	L	79	NA	16.2			
2EC1037			575			2.8	9.9	L	78	NA	26.5			
2EC1518	1.5	1	208	3450	4.56	17.5	59.0	K	68	9.3	1.1	14/3	80	
2EC1512			230			15.7	50.0	H	68	11.3	1.6	14/4	80	
2EC1538		3	200			10.6	40.6	K	79	NA	1.9			
2EC1532			230			9.2	31.7	K	78	NA	2.9			
2EC1534			460			4.6	15.9	K	78	NA	11.4			
2EC1537			575			3.7	13.1	K	75	NA	16.9			
2EC1518H	1.5	1	208	3450	5.50	17.5	59.0	K	68	9.3	1.1	14/3	80	
2EC1512H			230			15.7	50.0	H	68	11.3	1.6	14/4	80	
2EC1538H		3	200			10.6	40.6	K	79	NA	1.9			
2EC1532H			230			9.2	31.7	K	78	NA	2.9			
2EC1534H			460			4.6	15.9	K	78	NA	11.4			
2EC1537H			575			3.7	13.1	K	75	NA	16.9			
2EC2012	2	1	230	3450	5.38	18.0	49.6	F	78	3.2	1.2	14/3	83	
2EC2038			200			12.0	42.4	K	78	NA	1.7	14/4	83	
2EC2032		3	230			11.6	42.4	K	78	NA	1.7			
2EC2034			460			5.8	21.2	K	78	NA	6.6			
2EC2037			575			4.7	16.3	L	78	NA	10.5			

PERFORMANCE RATINGS (gallons per minute)

Order No.	2EC0311L	2EC0311	2EC0511	2EC0712	2EC1012	2EC1512	2EC0511H	2EC1512H	2EC2012
HP	1/3	1/3	1/2	3/4	1	1 1/2	1/2	1 1/2	2
RPM	1750	1750	3500	3500	3500	3500	3500	3500	3500
Total Head Feet of Water	5	86	-	-	-	-	-	-	-
	10	70	63	78	94	-	-	58	95
	15	52	52	70	90	103	128	53	93
	20	27	35	60	83	98	123	49	90
	25	5	15	48	76	94	117	45	87
	30	-	-	35	67	88	110	40	83
	35	-	-	22	57	82	103	35	80
	40	-	-	-	45	74	95	30	77
	45	-	-	-	35	64	86	25	74
	50	-	-	-	25	53	77	-	70
	55	-	-	-	-	40	67	-	66
	60	-	-	-	-	30	56	-	63
	65	-	-	-	-	20	45	-	58
	70	-	-	-	-	-	35	-	55
	75	-	-	-	-	-	25	-	51
	80	-	-	-	-	-	-	-	47
90	-	-	-	-	-	-	-	37	
100	-	-	-	-	-	-	-	28	

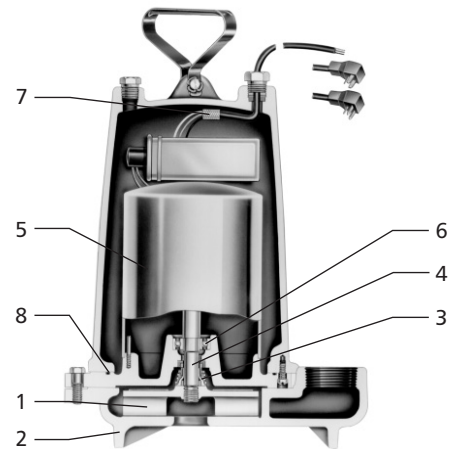
DIMENSIONS

(All dimensions are in inches. Do not use for construction purposes.)



COMPONENTS

Item No.	Description
1	Impeller
2	Casing
3	Mechanical Seal
4	Motor Shaft
5	Motor
6	Ball Bearings
7	Power Cable
8	Casing O-Ring



AGENCY LISTINGS



Tested to UL 778 and CSA 22.2 108 Standards
By Canadian Standards Association
File #218526

xylem
Let's Solve Water

Xylem, Inc.
2881 East Bayard Street Ext., Suite A
Seneca Falls, NY 13148
Phone: (866) 325-4210
Fax: (888) 322-5877
www.xyleminc.com/brands/bellgossett

Bell & Gossett is a trademark of Xylem Inc. or one of its subsidiaries.
© 2012 Xylem Inc. B2EC R4 February 2006