



Service Guide

343090

Oil Bar

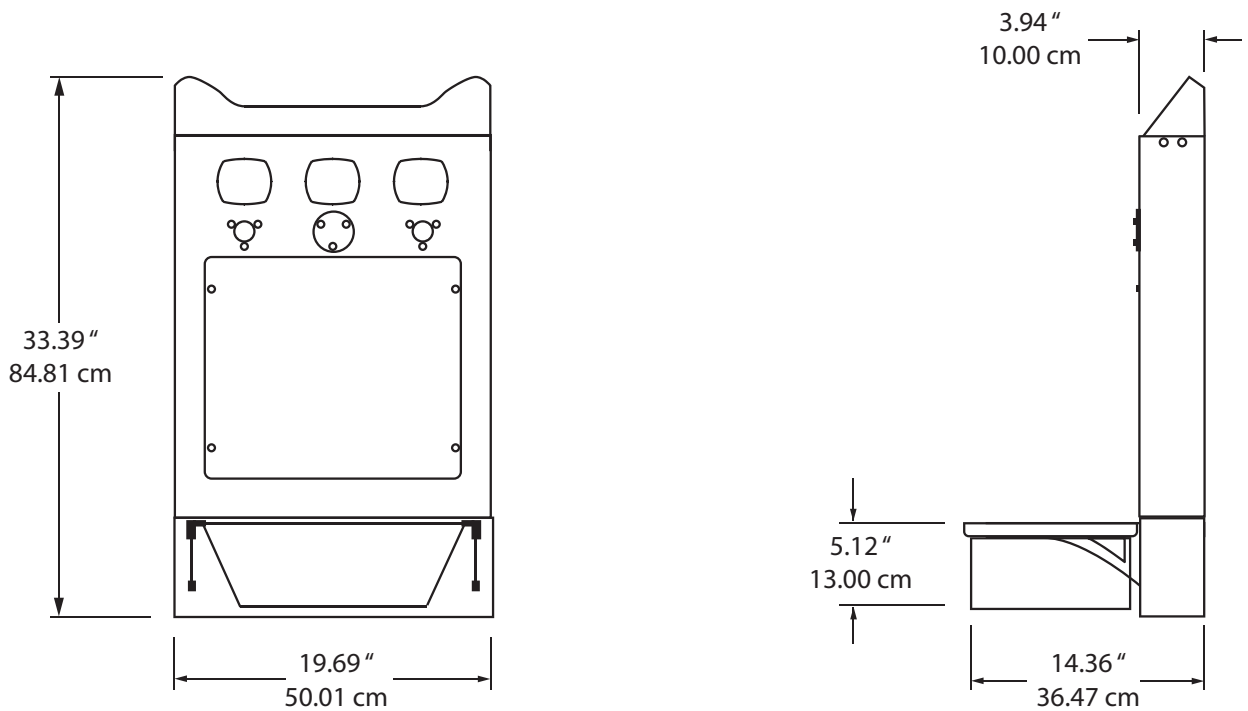
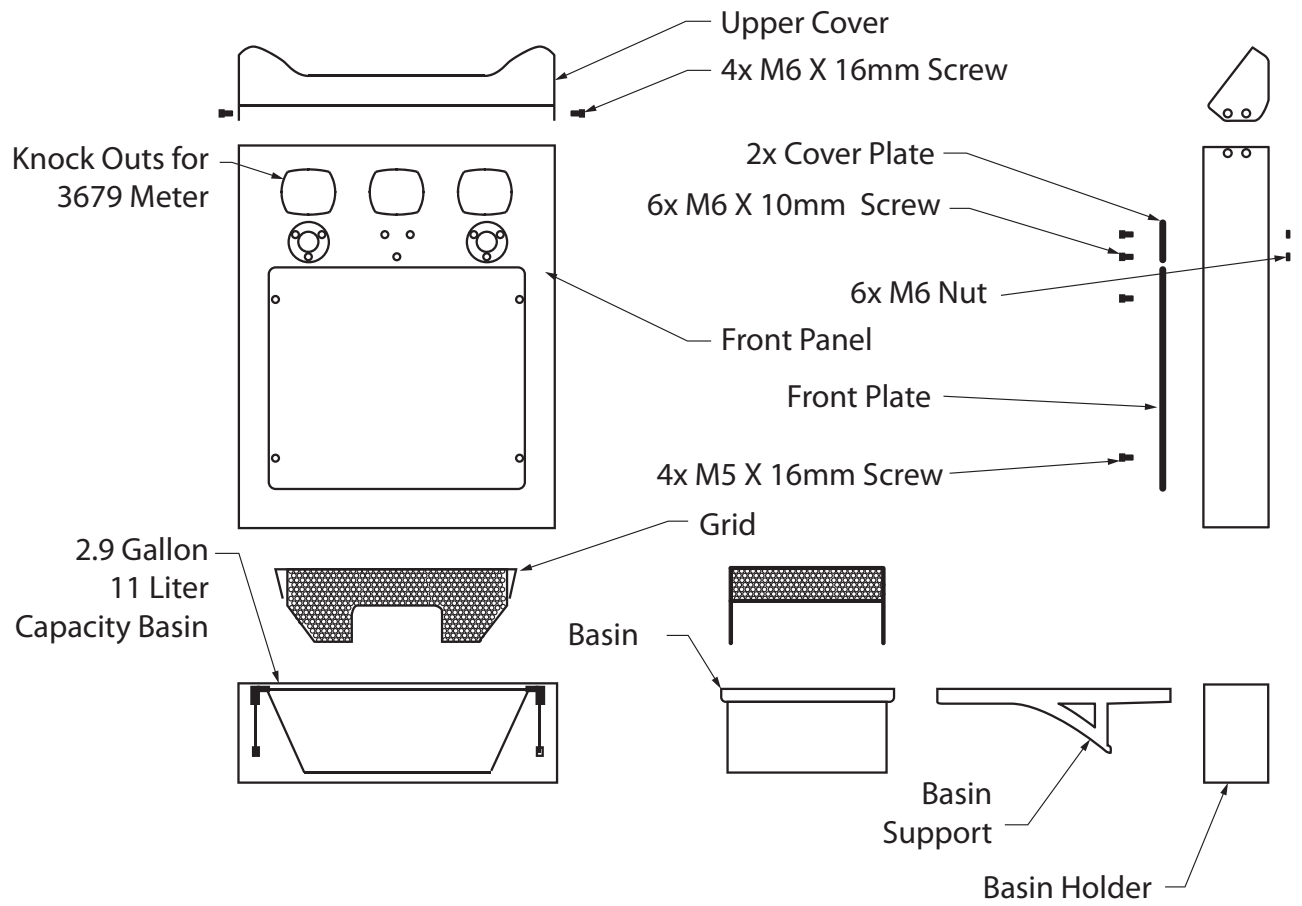


Oil Bar 343090 (Spigots and Meters not included)

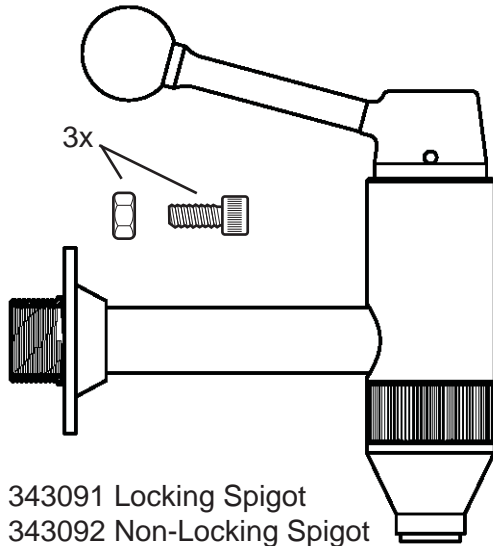
Alemite, LLC
167 Roweland Drive, Johnson City, Tennessee 37601
www.alemite.com

Copyright © 2011 by Alemite, LLC

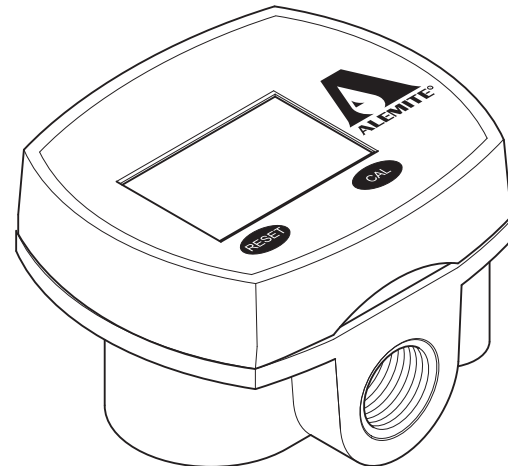
This document contains confidential information that is the property of Alemite, LLC and is not to be copied, used, or disclosed to others without express written permission.



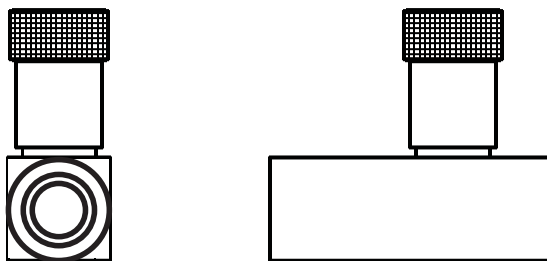
Accessories



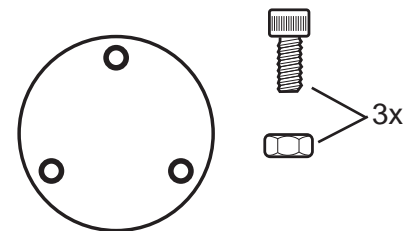
343091 Locking Spigot
343092 Non-Locking Spigot



3679 Meter (Requires 343098 Installation Kit)



343093 Flow Control Valve



343094 Cover Plate Kit

Specifications for 343091 & 343092 Spigots:

- 3/4" NPT outside and 1/2" NPT inside threads
- 750 PSI (51.7 BAR) pressure rating
- Wetted Components are steel, aluminum & nitrile rubber for compatibility with hydraulic and other medium viscosity oils up to SAE 90

Specifications for 343093 Flow Control Valve:

- Brass body
- 1/2"-14 NPTF inlet/outlet
- 15 GPM (57 LPM) flow range
- 2000 PSI (138 BAR) max pressure
- 2-step needle allows fine adjustment at low flow with first 3 turns of adjusting knob. Next 3 turns give full-open needle position and conventional throttling control

Specifications for 3679 Meter

- Inlet & Outlet Connections: 1/2"NPTF
- Display Units: Pints, Quarts, Gallons, or Liters
- Displays: Current Delivery, Resettable Total and Non-Resettable Cumulative Total
- Flowrate: 0.25 to 8 GPM (1 to 30 liter/min)
- Operating Temperature: 23° F (-5° C) to 122° F (50° C)
- Fluids Applicable: Motor Oils (SAE 5-50), Gear Oils (SAE 80-240), and Automatic Transmission Fluid.
- Maximum Pressure: 1000 PSI (70 Bar)
- Accuracy: 1% with SAE 10W oil at 68° F (20° C)
- Batteries: Two 1.5V AAA Alkaline