



# Service Guide

3640-2 3644-C2  
 3641-2 3645-C2  
 3643-2

## Electronic Preset Meter

### Description

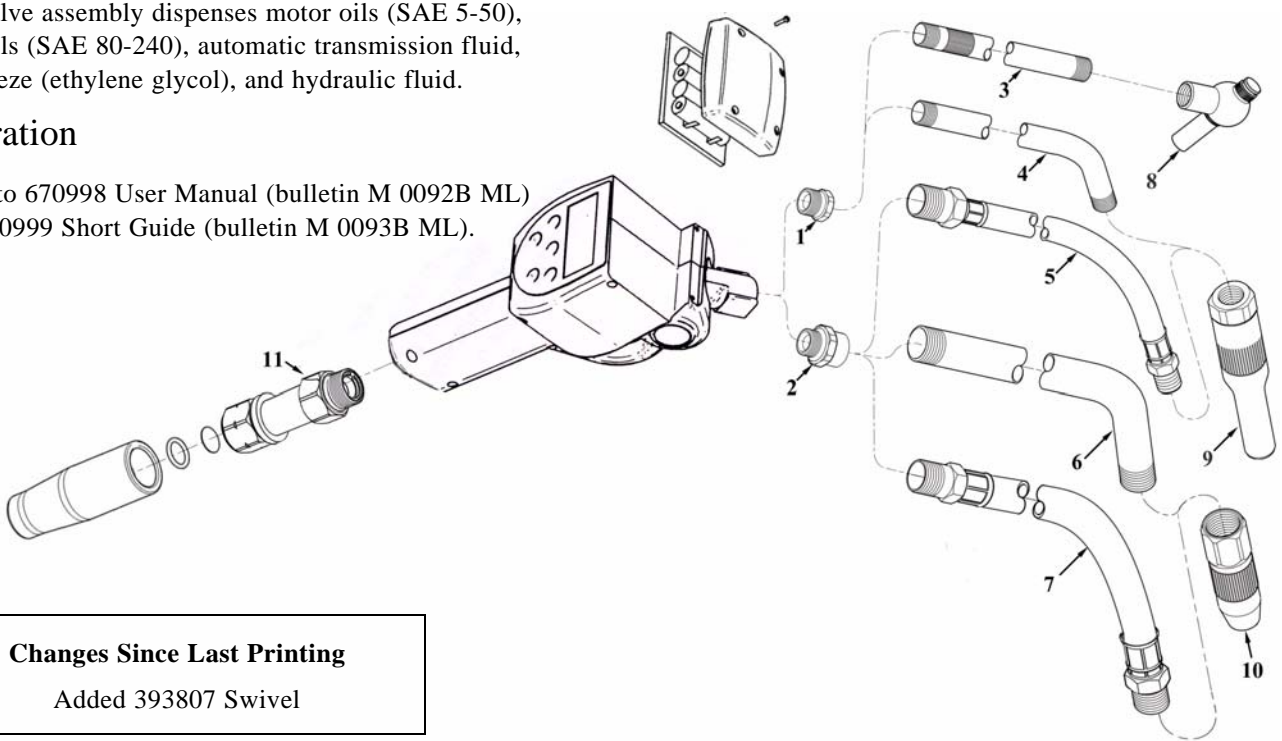
The metered control valves in the model series 3640 are designed to meter a variety of fluids.

The valve assembly dispenses motor oils (SAE 5-50), gear oils (SAE 80-240), automatic transmission fluid, antifreeze (ethylene glycol), and hydraulic fluid.

### Operation

Refer to 670998 User Manual (bulletin M 0092B ML) and 670999 Short Guide (bulletin M 0093B ML).

**IMPORTANT:** Replace the 4 AA alkaline batteries when the bAtt signal appears on the LCD. Operating the meter until the batteries are completely depleted will cause it to be inoperable when new batteries are installed.



**Changes Since Last Printing**  
 Added 393807 Swivel

Item No.	Part No.	Description	Model				
			3640-2	3641-2	3643-2	3644-C2	3645-C2
1	40996	Bushing, 1/2 " NPTF (m) x 1/4 " NPTF (f)	●		●		
2	52797	Adapter, 3/8 " NPTF (m) x 1/2 " NPTF (f)		●		●	●
3	320421	Extension, Straight, 1/4 " NPTF (m)			●		
4	338702	Extension, Curved, 1/4 " NPTF (m)	●				
5	338709	Hose, 1/2 " NPTF (m) x 1/4 " NPTF (m)		●			
6	339149	Extension, Curved, 1/2 " NPTF (m)				●	
7	317813-1	Hose, 1/2 " NPTF (m) x 1/2 " NPTF (m)					●
8	318400-2	Non-Drip Nozzle, Automatic (w/ Manual Lock)			●		
9	B339800	Non-Drip Nozzle, Automatic	●	●			
10	340084	Non-Drip Nozzle, High Volume Manual				●	●
11	393807	Swivel, 1/2 " NPT (f) (refer to SER 393807)	●	●	●	●	●

Alemite, LLC  
 167 Roweland Drive, Johnson City, Tennessee 37601  
 www.alemite.com

Copyright © 2011 by Alemite, LLC

This document contains confidential information that is the property of Alemite, LLC and is not to be copied, used, or disclosed to others without express written permission.

SER 3640-2  
 Revision (5-12)