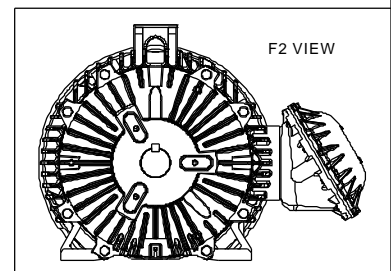
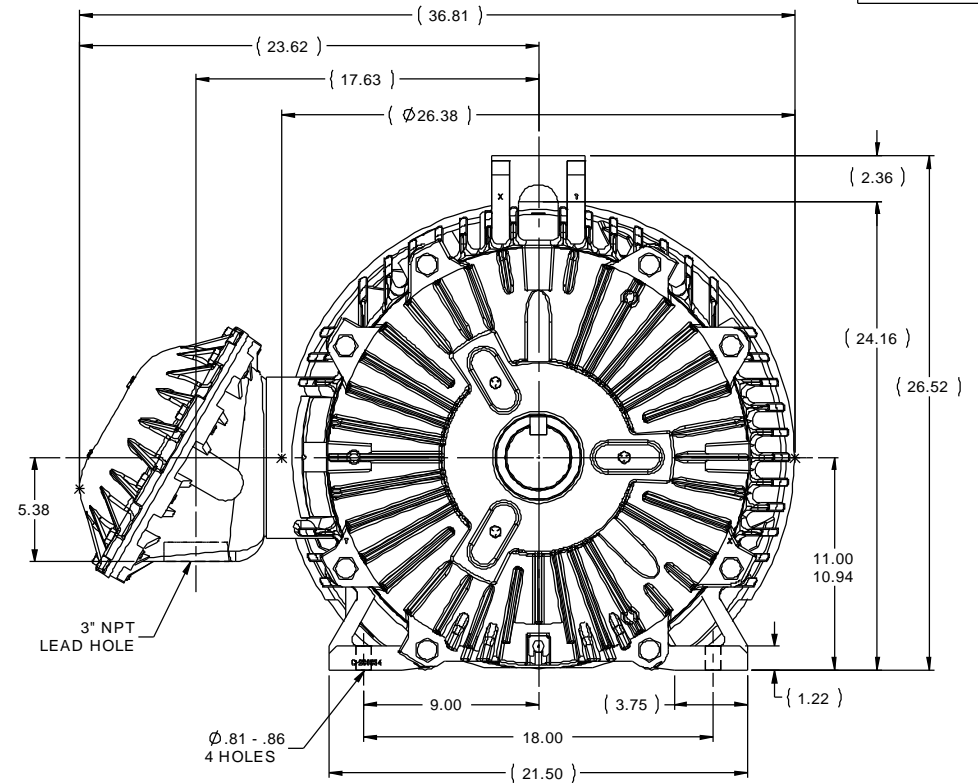
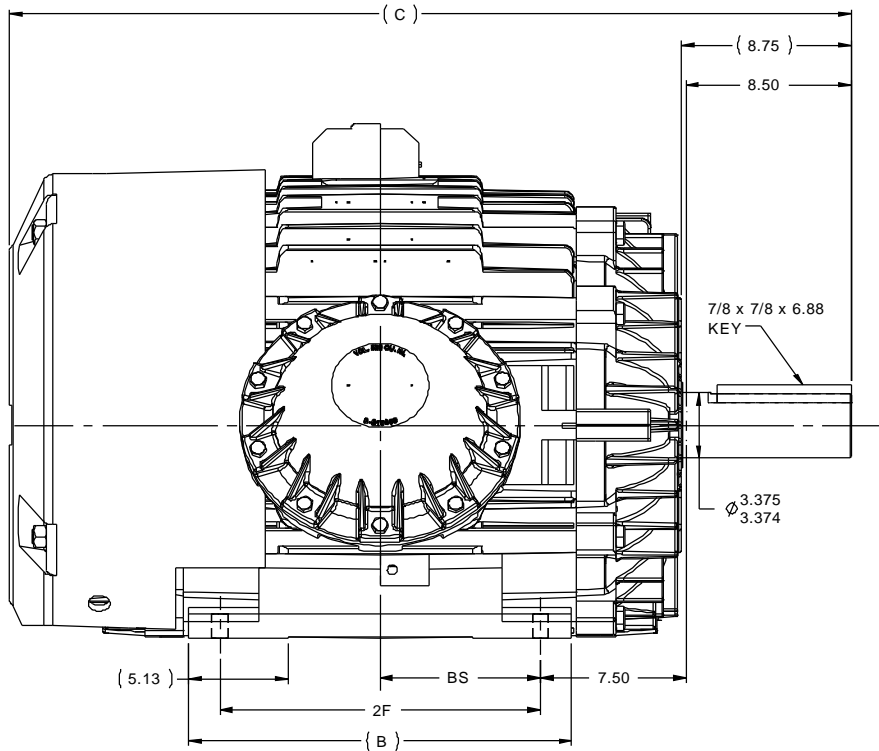


SS515577



NOTES:
1. NAMEPLATES TO BE READ FROM CONDUIT BOX SIDE OF MOTOR.

6	ADDED F2 VIEW	MU77124	TJW	1/15/2007	BW	TOLERANCES UNLESS SPECIFIED		DRAWN	SMC	04-15-1996		
5	CHANGED CONDUIT BOX PER CN 39608		TAT	05-23-2006	ML	DEC INCHES		CHK	MJA	04-19-1996		
4	REDRAWN IN AUTOCAD		TAT	06-29-2004	ML	X ±.1	APPR	JPN	04-19-1996			
3	ADDED OVERALL DIMENSION CN 27400-627		BJW	01-17-2000	XX	±.03	TITLE	OUTLINE - EXP .PR.	SCALE	5:32		
2	ADDED 6.18 DIM. & 3" NPT WAS 3 1/2" NPT - DEV. ENG.		PGK	02-07-1997	XXX	±.005		444/445T FR. - STD.	REF			
1	NEW DRAWING - DEV. ENG.		SMC	04-19-1996	XXXX	±.0005	MATL		FMF			
NO	REVISION		BY & DATE		CHK	ANG ±7°30"	FINISH		PREV			
THIS DRAWING IN DESIGN AND DETAIL IS OUR PROPERTY AND MUST NOT BE USED EXCEPT IN CONNECTION WITH OUR WORK. ALL RIGHTS OF DESIGN AND INVENTION ARE RESERVED. THIS IS AN ELECTRONICALLY GENERATED DOCUMENT - DO NOT SCALE THIS PRINT							RFP	CAD FILE	SS515577	SIZE	DRAWING NO	REV
							DIST	WA		B	SS515577	6

DASH	FRAME	B	C	2F	BS
1825	444T	17.75	41.35	14.50	7.25
2025	445T	19.75	43.35	16.50	8.25