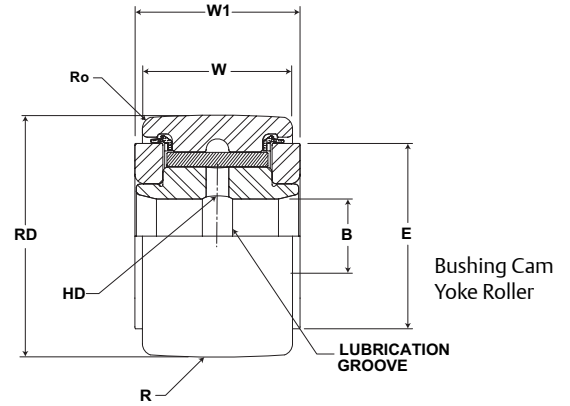


# MCGILL® Inch Cam Follower Bearings



- Basic Construction Type:** Yoke Type Crowned / Cylindrical Outside Diameter
- Rolling Elements:** Non-Metallic Bushing
- Bearing Material:** Bearing Quality Steel
- Seal Type:** LUBRI-DISC®
- Lubrication:** None - Self Lubricating Bushing
- System Configuration:** Concentric / Eccentric / Heavy Stud
- Mounting Feature:** Slot / Hex Hole



## BCYR

Part No.	RD		W		B		W1	R	Track Roller Dynamic Rating	Track Roller Static Rating
	Roller Diameter		Roller Width		Bore Diameter					
	inch mm		inch mm		inch mm		inch mm	Radius	lb/N	lb/N
	Nom.	Tol.	Nom.	Tol.	Nom.	Tol.	(Ref)			
BCYR 3/4 S	.750	+0/-.001	.500	+0/-.001	.250	+0.002/-0.004	.56	Cylindrical	See Load-Speed Chart	
BCCYR 3/4 S	19.05	+0/-.03	12.70	+0/-.03	6.35	+0.005/-0.010	14.3	10 254		
BCYR 7/8 S	.875	+0/-.001	.500	+0/-.001	.250	+0.002/-0.004	.56	Cylindrical	See Load-Speed Chart	
BCCYR 7/8 S	22.23	+0/-.03	12.70	+0/-.03	6.35	+0.005/-0.010	14.3	10 254		
BCYR 1 S	1.000	+0/-.001	.625	+0/-.001	.313	+0.002/-0.004	.69	Cylindrical	See Load-Speed Chart	
BCCYR 1 S	25.40	+0/-.03	15.88	+0/-.03	7.94	+0.005/-0.010	17.5	12 305		
BCYR 1 1/8 S	1.125	+0/-.001	.625	+0/-.001	.313	+0.002/-0.004	.69	Cylindrical	See Load-Speed Chart	
BCCYR 1 1/8 S	28.58	+0/-.03	15.88	+0/-.03	7.94	+0.005/-0.010	17.5	12 305		
BCYR 1 1/4 S	1.250	+0/-.001	.750	+0/-.001	.375	+0.002/-0.004	.81	Cylindrical	See Load-Speed Chart	
BCCYR 1 1/4 S	31.75	+0/-.03	19.05	+0/-.03	9.53	+0.005/-0.010	20.6	14 356		
BCYR 1 3/8 S	1.375	+0/-.001	.750	+0/-.001	.375	+0.002/-0.004	.81	Cylindrical	See Load-Speed Chart	
BCCYR 1 3/8 S	34.93	+0/-.03	19.05	+0/-.03	9.53	+0.005/-0.010	20.6	14 356		
BCYR 1 1/2 S	1.500	+0/-.001	.875	+0/-.001	.438	+0.002/-0.004	.94	Cylindrical	See Load-Speed Chart	
BCCYR 1 1/2 S	38.10	+0/-.03	22.23	+0/-.03	11.11	+0.005/-0.010	23.8	20 508		
BCYR 1 5/8 S	1.625	+0/-.001	.875	+0/-.001	.438	+0.002/-0.004	.94	Cylindrical	See Load-Speed Chart	
BCCYR 1 5/8 S	41.28	+0/-.03	22.23	+0/-.03	11.11	+0.005/-0.010	23.8	20 508		
BCYR 1 3/4 S	1.750	+0/-.001	1.000	+0/-.001	.500	+0.002/-0.004	1.06	Cylindrical	See Load-Speed Chart	
BCCYR 1 3/4 S	44.45	+0/-.03	25.40	+0/-.03	12.70	+0.005/-0.010	27.0	20 508		

Metric dimensions for reference only.

Not all parts are available from stock. Please contact customer service for availability (800) 626-2120.

For more information on bearing capabilities outside of our standard offering, please contact Application Engineering (800) 626-2093.

# Inch Cam Follower Bearings **MCGILL**



## BCYR

Part No.	HC	E	Ro	PF	PFT	PF	pFT	PF	PFT	Limiting Speed	WT
	Hole Center	Min Boss Diameter	Outer Corner	Recommended Shaft Diameters							RPM
	(Ref)	(Ref)	(Ref)	Push Fit		Drive Fit		Press Fit		RPM	lb kg
				inch mm	inch mm	inch mm	inch mm	inch mm	inch mm		
				Nom	Tol	Nom	Tol	Nom	Tol		
BCYR 3/4 S	.25 6.4	.61 15.5	.02 .4	.2495 6.337	±.0002 ±.005	.2495 6.337	±.0002 ±.005	.2495 6.337	±.0002 ±.005	See Load-Speed Chart	.06 .03
BCCYR 3/4 S			N/A								
BCYR 7/8 S	.25 6.4	.61 15.5	.02 .4	.2495 6.337	±.0002 ±.005	.2495 6.337	±.0002 ±.005	.2495 6.337	±.0002 ±.005	See Load-Speed Chart	.08 .04
BCCYR 7/8 S			N/A								
BCYR 1 S	.25 6.4	.78 19.8	.03 .8	.3120 7.925	±.0002 ±.005	.3120 7.925	±.0002 ±.005	.3120 7.925	±.0002 ±.005	See Load-Speed Chart	.15 .07
BCCYR 1 S			N/A								
BCYR 1 1/8 S	.25 6.4	.78 19.8	.03 .8	.3120 7.925	±.0002 ±.005	.3120 7.925	±.0002 ±.005	.3120 7.925	±.0002 ±.005	See Load-Speed Chart	.17 .08
BCCYR 1 1/8 S			N/A								
BCYR 1 1/4 S	.31 7.9	.98 25.0	.03 .8	.3745 9.512	±.0002 ±.005	.3745 9.512	±.0002 ±.005	.3745 9.512	±.0002 ±.005	See Load-Speed Chart	.24 .11
BCCYR 1 1/4 S			N/A								
BCYR 1 3/8 S	.31 7.9	.98 25.0	.05 1.2	.3745 9.512	±.0002 ±.005	.3745 9.512	±.0002 ±.005	.3745 9.512	±.0002 ±.005	See Load-Speed Chart	.30 .14
BCCYR 1 3/8 S			N/A								
BCYR 1 1/2 S	.38 9.5	1.09 27.8	.06 1.6	.4370 11.100	±.0002 ±.005	.4370 11.100	±.0002 ±.005	.4370 11.100	±.0002 ±.005	See Load-Speed Chart	.41 .19
BCCYR 1 1/2 S			N/A								
BCYR 1 5/8 S	.38 9.5	1.09 27.8	.06 1.6	.4370 11.100	±.0002 ±.005	.4370 11.100	±.0002 ±.005	.4370 11.100	±.0002 ±.005	See Load-Speed Chart	.50 .23
BCCYR 1 5/8 S			N/A								
BCYR 1 3/4 S	.44 11.1	1.25 31.8	.06 1.6	.4995 12.687	±.0002 ±.005	.4995 12.687	±.0002 ±.005	.4995 12.687	±.0002 ±.005	See Load-Speed Chart	.64 .29
BCCYR 1 3/4 S			N/A								