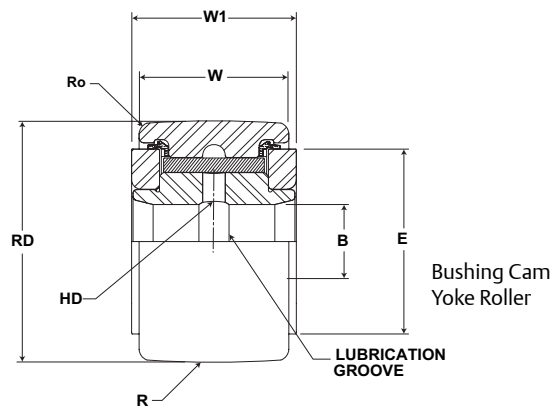


MCGILL® Inch Cam Follower Bearings



- Basic Construction Type:** Yoke Type Crowned / Cylindrical Outside Diameter
- Rolling Elements:** Non-Metallic Bushing
- Bearing Material:** Bearing Quality Steel
- Seal Type:** LUBRI-DISC®
- Lubrication:** None - Self Lubricating Bushing
- System Configuration:** Concentric / Eccentric / Heavy Stud
- Mounting Feature:** Slot / Hex Hole



BCYR

Part No.	RD		W		B		W1	R	Track Roller Dynamic Rating lb/N	Track Roller Static Rating lb/N
	Roller Diameter		Roller Width		Bore Diameter		Endplate Extension	Crown		
	Prefix BCCYR-XX									
	inch	mm	inch	mm	inch	mm	inch	mm		
	Nom.	Tol.	Nom.	Tol.	Nom.	Tol.	(Ref)	Radius		
BCYR 1 7/8 S	1.875	+0/-0.001	1.000	+0/-0.001	.500	+0.0002/-0.0004	1.06	Cylindrical	See Load-Speed Chart	
BCCYR 1 7/8 S	47.63	+0/-0.03	25.40	+0/-0.03	12.70	+0.0005/-0.0010	27.0	20 508		
BCYR 2 S	2.000	+0/-0.001	1.250	+0/-0.001	.625	+0.0002/-0.0004	1.31	Cylindrical	See Load-Speed Chart	
BCCYR 2 S	50.80	+0/-0.03	31.75	+0/-0.03	15.88	+0.0005/-0.0010	33.3	24 610		
BCYR 2 1/4 S	2.250	+0/-0.001	1.250	+0/-0.001	.625	+0.0002/-0.0004	1.31	Cylindrical	See Load-Speed Chart	
BCCYR 2 1/4 S	57.15	+0/-0.03	31.75	+0/-0.03	15.88	+0.0005/-0.0010	33.3	24 610		
BCYR 2 1/2 S	2.500	+0/-0.001	1.500	+0/-0.001	.750	+0.0002/-0.0004	1.56	Cylindrical	See Load-Speed Chart	
BCCYR 2 1/2 S	63.50	+0/-0.03	38.10	+0/-0.03	19.05	+0.0005/-0.0010	39.7	30 762		
BCYR 2 3/4 S	2.750	+0/-0.001	1.500	+0/-0.001	.750	+0.0002/-0.0004	1.56	Cylindrical	See Load-Speed Chart	
BCCYR 2 3/4 S	69.85	+0/-0.03	38.10	+0/-0.03	19.05	+0.0005/-0.0010	39.7	30 762		
BCYR 3 S	3.000	+0/-0.001	1.750	+0/-0.001	1.000	+0.0001/-0.0005	1.81	Cylindrical	See Load-Speed Chart	
BCCYR 3 S	76.20	+0/-0.03	44.45	+0/-0.03	25.40	+0.0003/-0.0013	46.0	30 762		
BCYR 3 1/4 S	3.250	+0/-0.001	1.750	+0/-0.001	1.000	+0.0001/-0.0005	1.81	Cylindrical	See Load-Speed Chart	
BCCYR 3 1/4 S	82.55	+0/-0.03	44.45	+0/-0.03	25.40	+0.0003/-0.0013	46.0	30 762		
BCYR 3 1/2 S	3.500	+0/-0.001	2.000	+0/-0.001	1.125	+0.0001/-0.0005	2.06	Cylindrical	See Load-Speed Chart	
BCCYR 3 1/2 S	88.90	+0/-0.03	50.80	+0/-0.03	28.58	+0.0003/-0.0013	52.4	30 762		
BCYR 4 S	4.000	+0/-0.001	2.250	+0/-0.001	1.250	+0.0001/-0.0005	2.06	Cylindrical	See Load-Speed Chart	
BCCYR 4 S	101.60	+0/-0.03	57.15	+0/-0.03	31.75	+0.0003/-0.0013	52.4	30 762		

Metric dimensions for reference only.

Not all parts are available from stock. Please contact customer service for availability (800) 626-2120.

For more information on bearing capabilities outside of our standard offering, please contact Application Engineering (800) 626-2093.

Inch Cam Follower Bearings **MCGILL**



BCYR

Part No.	HC	E	Ro	PF	PFT	PF	pFT	PF	PFT	Limiting Speed	WT
	Hole Center	Min Boss Diameter	Outer Corner	Recommended Shaft Diameters							RPM
	(Ref)	(Ref)	(Ref)	Push Fit		Drive Fit		Press Fit		RPM	lb kg
				inch mm	inch mm	inch mm	inch mm	inch mm	inch mm		
				Nom	Tol	Nom	Tol	Nom	Tol		
BCYR 1 7/8 S	.44	1.25	.06	.4995	±.0002	.4995	±.0002	.4995	±.0002	See Load-Speed Chart	.80
BCCYR 1 7/8 S	11.1	31.8	N/A	12.687	±.005	12.687	±.005	12.687	±.005		.36
BCYR 2 S	.50	1.41	.09	.6245	±.0002	.6245	±.0002	.6245	±.0002	See Load-Speed Chart	1.05
BCCYR 2 S	12.7	35.7	N/A	15.862	±.005	15.862	±.005	15.862	±.005		.48
BCYR 2 1/4 S	.50	1.41	.09	.6245	±.0002	.6245	±.0002	.6245	±.0002	See Load-Speed Chart	1.32
BCCYR 2 1/4 S	12.7	35.7	N/A	15.862	±.005	15.862	±.005	15.862	±.005		.59
BCYR 2 1/2 S	.56	1.69	.09	.7495	±.0002	.7495	±.0002	.7495	±.0002	See Load-Speed Chart	1.80
BCCYR 2 1/2 S	14.3	42.9	N/A	19.037	±.005	19.037	±.005	19.037	±.005		.82
BCYR 2 3/4 S	.56	1.69	.09	.7495	±.0002	.7495	±.0002	.7495	±.0002	See Load-Speed Chart	2.25
BCCYR 2 3/4 S	14.3	42.9	N/A	19.037	±.005	19.037	±.005	19.037	±.005		1.02
BCYR 3 S	.63	2.13	.13	.9994	±.0002	.9994	±.0002	.9994	±.0002	See Load-Speed Chart	3.10
BCCYR 3 S	15.9	54.0	N/A	25.385	±.005	25.385	±.005	25.385	±.005		1.41
BCYR 3 1/4 S	.63	2.13	.13	.9994	±.0002	.9994	±.0002	.9994	±.0002	See Load-Speed Chart	3.62
BCCYR 3 1/4 S	15.9	54.0	N/A	25.385	±.005	25.385	±.005	25.385	±.005		1.64
BCYR 3 1/2 S	.69	2.44	.13	1.1244	±.0002	1.1244	±.0002	1.1244	±.0002	See Load-Speed Chart	4.95
BCCYR 3 1/2 S	17.5	61.9	N/A	28.560	±.005	28.560	±.005	28.560	±.005		2.25
BCYR 4 S	.75	2.80	.13	1.2494	±.0002	1.2494	±.0002	1.2494	±.0002	See Load-Speed Chart	7.05
BCCYR 4 S	19.1	71.0	N/A	31.735	±.005	31.735	±.005	31.735	±.005		3.19