



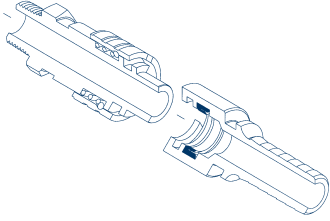
## Dix-Lock™ N-Series Pneumatic Couplings

### Application:

- full flow coupling used on utility, air, water and nitrogen lines as well as pneumatic tools

### Materials:

- machined components: manufactured using solid steel, brass or 303 stainless steel bar stock, 316 stainless steel available in some versions upon request
- steel componentry: plated using ROHS Compliant Trivalent Chrome
- retaining ring and spring: stainless steel
- coupling sleeve: cast zinc steel
- locking ring: steel and brass nipple with aluminum ring, stainless nipple with stainless ring
- seals: pneumatically energized Nitrile (Buna-N)
- dust cap: steel and brass
- dust cap cable: carbon steel



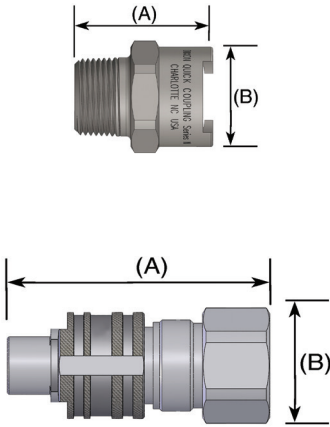
### Features:

- non-valved design allows air flow to the tool, while providing a quick, secure connection
- convenient push-twist-click connection
- locking sleeve offered to enhance safe, reliable connections
- stainless steel retaining ring and spring maximizes corrosion resistance and extends service life
- highly versatile end configuration selection
- low profile prevents hose snags
- interchangeable with Bowes 51000-Series, National Series 'B', MacDonald Quick-Action, Campbell Single-Lock
- conforms to MIL-C-3486 and A-A-50431A Interchange Standard

### Specifications:

- temperature range: **-40°F to 250°F (-40°C to 121°C)**
- pressure rating: **300 PSI** in brass, **500 PSI** in steel and 303 stainless steel at ambient temperature **70°F (21°C)**

### Dimensions



Head Type	Overall Length (A)					Maximum OD (B)			
	Body Size	End Size	Female NPTF	Male NPTF	Hose Barb	Female NPTF	Male NPTF	Hose Barb	Hex Size (if applicable)
Female Head	3/8"	1/2"	-	1.80	4.74	-	1.10	0.99	1"
	1/2"	3/8"	1.63	1.66	4.54	1.54	1.50	1.40	1 3/8"
	1/2"	1/2"	1.63	1.85	4.95	1.54	1.50	1.40	1 3/8"
	1/2"	3/4"	1.63	1.85	4.95	1.54	1.50	1.40	1 3/8"
	1/2"	1"	1.68	1.95	5.77	1.68	1.50	1.40	1 1/2"
Male Head	3/8"	1/2"	-	3.36	3.73	-	1.13	1.13	1"
	1/2"	3/8"	2.92	3.46	4.36	1.31	1.31	1.40	1 3/16"
	1/2"	1/2"	2.92	3.65	4.63	1.31	1.31	1.40	1 3/16"
	1/2"	3/4"	3.42	3.65	4.77	1.50	1.31	1.40	1 3/16"
	1/2"	1"	3.59	3.89	4.77	1.79	1.51	1.40	1 3/8"

\*All dimensions are shown in inches unless otherwise noted.

### Pressure Ratings

Body Size	Steel Coupler/ Plug				Brass Coupler/ Plug				303 Stainless Steel Coupler/Plug			
	Max Working		Burst		Max Working		Burst		Max Working		Burst	
	PSI	Bar	PSI	Bar	PSI	Bar	PSI	Bar	PSI	Bar	PSI	Bar
3/8"	500	35	7,000	480	-	-	-	-	-	-	-	-
1/2"	500	35	11,000	755	300	20	8,200	565	500	35	12,600	865

## Dix-Lock™ N-Series Pneumatic Couplings



hose barb coupler  
4NS6



male thread coupler  
4NM8



male thread plugs  
N4M6



hose barb safety lock plugs  
N4S6-LS



hose barb plugs  
N4S6



female thread couplers  
4NF6



female thread plugs  
N4F6



male thread safety lock plugs  
N4M6-LS

---

### Dix-Lock™ N-Series Couplings with Ferrules

#### Features:

- can be crimped or swaged-on
- 3/8" and 1" are available upon request

#### Specifications:

- rated to **300 PSI** working pressure at ambient temperature **70°F (21°C)**
- seal temperature range **-40°F to 250°F (-40°C to 121°C)**
- for crimp and swage recommendations visit [dixonvalve.com](http://dixonvalve.com)



female head  
4NS6-WF



male head  
N4S6-WF



male locking head  
N4S6-LS-WF

---

### Dix-Lock™ N-Series Accessories



union  
4N4N



caps  
N4DC-B



seals  
4N-SKIT

## Crimped Dix-Lock™ N-Series Recommendation Guide

- The Crimped Dix-Lock™ Recommendation Guide is only a guide. It will not apply to every coupling situation. In some instances alternative dies and crimping dimensions must be employed to ensure safety.
- Experience has shown that variances in the construction of similar hoses and couplings may cause some assemblies to react differently when crimped. It is not uncommon to find hose with an outer diameter that fluctuates from one end to the other or from production lot to production lot.
- These inconsistencies coupled with the inherent differences between textile or wire braid, hard or soft wall, the presence or absence of an internal spiral wire and the differences in hose coverings make it difficult to establish hard and fast rules.
- Therefore, it's imperative that hose dimensions are accurately measured, assemblies are tested, and documentation is maintained.
- It is important to be safe when installing quick disconnect couplings into a pneumatic circuit. Never install a pneumatic coupling directly into an air tool, use a piece of hose that is at least 18" long, between the tool and the coupling, to prevent damage to the coupling.
- To protect the operator, safety devices, such as a safety check valve and safety cable should be installed in case there is a hose or coupling failure. For safety cables and check valves, call Dixon® 877.963.4966 or visit [dixonvalve.com](http://dixonvalve.com).

Hose ID	Hose OD		Crimp Diameter (± 0.005)	Crimp Length	% Reduction
	Fractional	Decimal			
½"	54/64	0.844	0.917	1-1/8	18.9
	55/64	0.859	0.929	1-1/8	18.9
	56/64	0.875	0.942	1-1/8	19.0
	57/67	0.891	0.954	1-1/8	19.0
	58/64	0.906	0.967	1-1/8	19.0
	59/64	0.922	0.980	1-1/8	19.0
	60/64	0.938	0.992	1-1/8	19.0
	61/64	0.953	1.005	1-1/8	19.0
	62/64	0.969	1.018	1-1/8	19.0
	63/64	0.984	1.030	1-1/8	19.0
	1	1.000	1.043	1-1/8	19.0
	1-1/64	1.016	1.056	1-1/8	19.0
1-2/64	1.031	1.068	1-1/8	19.0	
¾"	1-10/64	1.156	1.220	1-1/4	18.5
	1-11/64	1.171	1.235	1-1/4	18.0
	1-12/64	1.187	1.244	1-1/4	18.7
	1-13/64	1.203	1.260	1-1/4	18.1
	1-14/64	1.218	1.270	1-1/4	18.8
	1-15/64	1.234	1.285	1-1/4	18.2
	1-16/64	1.250	1.295	1-1/4	18.8
	1-17/64	1.265	1.310	1-1/4	18.4
	1-18/64	1.281	1.320	1-1/4	18.8
	1-19/64	1.296	1.335	1-1/4	18.5
	1-20/64	1.312	1.345	1-1/4	19.0
	1-21/64	1.328	1.360	1-1/4	18.5
1-22/64	1.343	1.370	1-1/4	19.0	

\*All dimensions are shown in inches unless otherwise noted.

### Safety

Dixon™ couplings and retention devices are designed to work safely for their intended use. The selection of the proper hose, coupling and retention device, and the proper application of the coupling to the hose are of utmost importance.

Users must consider the size, temperature, application, media, pressure and hose and coupling manufacturer's recommendations when selecting the proper hose assembly components. Dixon™ recommends that all hose assemblies be tested in accordance with the Association for Rubber Products Manufacturer's (ARPM) recommendations and be inspected regularly (before each use) to ensure that they are not damaged or have become loose. Visit [ARPMINC.com](http://ARPMINC.com) for more information.

Where safety devices are integral to the coupling, they must be working and utilized. The use of supplementary safety devices such as safety clips or safety cables are recommended.

If any problem is detected, couplings must be removed from service immediately.

Dixon™ is available to consult, train and recommend the proper selection and application of all fittings we sell. We strongly recommend that distributors and end users make use of Dixon Testing and Recommendation Services. Call 877.963.4966 or click [dixonvalve.com](http://dixonvalve.com) to learn more.

### Dix-Lock™ N-Series Part Number Interchange Guide

Size	Material	Dixon Part Number	Retired Dixon	Bowes	Campbell	National
3/8"	steel	<b>N4S3</b>	QM2	51522	BMHS38	BMH6
3/8"	brass	<b>N4S3-B</b>	QB2	51462	BMHB-38	B-BMH6
1/2"	steel	<b>N3CS4</b>	QM1	50-S-HM4	N/A	N/A
1/2"	steel	<b>N4S4</b>	QM3	51424	BMHS-2	BMH8
1/2"	brass	<b>N4S4-B</b>	QB3	51464	BMHB-2	B-BMH8
3/4"	steel	<b>N4S6</b>	QM4	51526	BMHS-3	BMH12
3/4"	brass	<b>N4S6-B</b>	QB4	51466	BMHB-3	B-BMH12
3/4"	303 stainless	<b>N4S6-S</b>	QSS4	N/A	N/A	N/A
1"	steel	<b>N4S8</b>	QM5	N/A	N/A	N/A
1"	brass	<b>N4S8-B</b>	QB5	N/A	N/A	N/A
3/8"	steel	<b>4NS3</b>	QM21	51532	N/A	BFH6
3/8"	brass	<b>4NS3-B</b>	QB21	51472	N/A	B-BFH6
1/2"	steel	<b>3NCS4</b>	QM20	50-S-HF4	N/A	N/A
1/2"	steel	<b>4NS4</b>	QM22	51534	BFHS-2	BFH8
1/2"	brass	<b>4NS4-B</b>	QB22	51474	BFHB-2	B-BFH8
3/4"	steel	<b>4NS6</b>	QM23	51536	BFHS-3	BFH12
3/4"	brass	<b>4NS6-B</b>	QB23	51476	BFHB-3	B-BFH12
3/4"	303 stainless	<b>4NS6-S</b>	QSS23	N/A	N/A	N/A
1"	steel	<b>4NS8</b>	QM25	N/A	N/A	N/A
1"	brass	<b>4NS8-B</b>	QB25	N/A	N/A	N/A
3/8"	steel	<b>N4M3</b>	QM41	51542	BMMS-38	BMM6
3/8"	brass	<b>N4M3-B</b>	QB41	51482	BMMB-38	B-BMM6
1/2"	steel	<b>N3M4</b>	QM40	50-S-OM4	N/A	N/A
1/2"	steel	<b>N4M4</b>	QM42	51544	BMMS-2	BMM8
1/2"	brass	<b>N4M4-B</b>	QB42	51484	BMMB-2	B-BMM8
3/4"	steel	<b>N4M6</b>	QM43	51546	BMMS-3	BMM12
3/4"	brass	<b>N4M6-B</b>	QB43	51486	BMMB-3	B-BMM12
3/4"	303 stainless	<b>N4M6-S</b>	QSS43	N/A	N/A	N/A
1"	steel	<b>N4M8</b>	QM45	N/A	N/A	N/A
1"	brass	<b>N4M8-B</b>	QB45	N/A	N/A	N/A
3/8"	steel	<b>4NM3</b>	QM61	51552	BFMS-38	BFM6
3/8"	brass	<b>4NM3-B</b>	QB61	51492	BFMB-38	B-BFM6
1/2"	steel	<b>3NM4</b>	QM60	50-S-OF4	N/A	N/A
1/2"	steel	<b>4NM4</b>	QM62	51554	BFMS-2	BFM8
1/2"	brass	<b>4NM4-B</b>	QB62	51494	BFMB-2	B-BFM8
3/4"	steel	<b>4NM6</b>	QM63	51556	BFMS-3	BFM12
3/4"	brass	<b>4NM6-B</b>	QB63	51496	BFMB-3	B-BFM12
3/4"	303 stainless	<b>4NM6-S</b>	QSS63	N/A	N/A	N/A
1"	steel	<b>4NM8</b>	QM65	N/A	BFMS-4	N/A
1"	brass	<b>4NM8-B</b>	QB65	N/A	BFMB-4	N/A
3/8"	steel	<b>N4F3</b>	QM81	51562	BMFS-38	BMF6
3/8"	brass	<b>N4F3-B</b>	QB81	51502	BMFB-38	B-BMF6
1/2"	steel	<b>N4F4</b>	QM82	51564	BMFS-2	BMF8
1/2"	brass	<b>N4F4-B</b>	QB82	51504	BMFB-2	B-BMF8
3/4"	steel	<b>N4F6</b>	QM83	51566	BMFS-3	BMF12
3/4"	brass	<b>N4F6-B</b>	QB83	51506	BMFS-3	B-BMF12
3/4"	303 stainless	<b>N4F6-S</b>	QSS83	N/A	N/A	N/A
1"	steel	<b>N4F8</b>	QM85	N/A	N/A	N/A
1"	brass	<b>N4F8-B</b>	QB85	N/A	N/A	N/A
3/8"	steel	<b>4NF3</b>	QM101	51572	BFFS-38	BFF6
3/8"	brass	<b>4NF3-B</b>	QB101	51512	BFFB-38	B-BFF6
1/2"	steel	<b>4NF4</b>	QM102	51574	BFFS-2	BFF8
1/2"	brass	<b>4NF4-B</b>	QB102	51514	BFFB-2	B-BFF8
3/4"	steel	<b>4NF6</b>	QM103	51576	BFFS-3	BFF12
3/4"	brass	<b>4NF6-B</b>	QB103	51516	BFFB-3	B-BFF12
3/4"	303 stainless	<b>4NF6-S</b>	QSS103	N/A	N/A	N/A
1"	steel	<b>4NF8</b>	QM105	N/A	BFFS-4	N/A
1"	brass	<b>4NF8-B</b>	QB105	N/A	BFFB-4	N/A
1/2"	steel	<b>N4S4-LS</b>	QM33	51524-1	BMHS-2L	BMH8-LN
1/2"	brass	<b>N4S4-B-LS</b>	QB33	51464-1	BMHB-2L	B-BMH8-LN
3/4"	steel	<b>N4S6-LS</b>	QM44	51526-1	BMHS-3L	BMH12-LN
3/4"	brass	<b>N4S6-B-LS</b>	QB44	51466-1	BMHB-3L	B-BMH12-LN
1/2"	steel	<b>N4M4-LS</b>	QM66	51544-1	BMMS-2L	BMM8-LN
1/2"	brass	<b>N4M4-B-LS</b>	QB66	51484-1	BMMB-2L	B-BMM8-LN
3/4"	steel	<b>N4M6-LS</b>	QM88	51546-1	BMMS-3L	BMM12-LN
3/4"	brass	<b>N4M6-B-LS</b>	QB88	51486-1	BMMB-3L	B-BMM12-LN

Dixon, founded in 1916, is a premier manufacturer and supplier of hose couplings, valves, dry-disconnects, swivels, and other fluid transfer and control products. The company's global reach includes a wide range of products for numerous industries including petroleum exploration, refining, transportation, chemical processing, food & beverage, steel, fire protection, construction, mining and manufacturing. Dixon's strategic objective is to create solutions that make products safer, leak-free, longer lasting, and always available.



**dixonvalve.com** • *Customer Service:* **877.963.4966**



*The Right Connection®*

### **Dixon Quick Coupling**

2925 Chief Court  
Dallas, NC 28034  
sales / technical support ph: 704.334.9175 • 800.839.8980  
sales / technical support fx: 704.334.9002 • 800.839.9022  
dqc\_sales@dixonvalve.com

